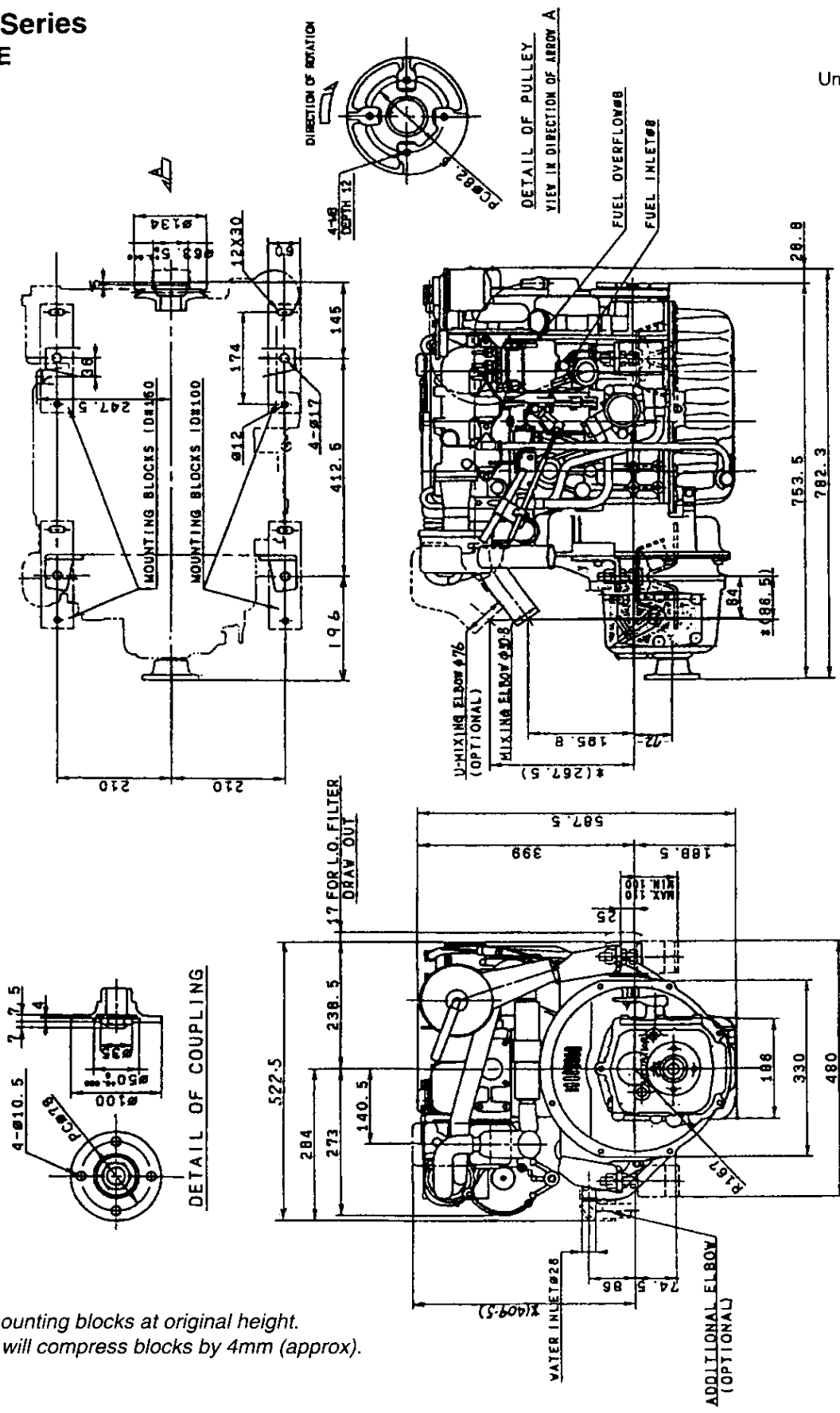


3-2. 3JH2 Series
3-2-1. 3JH2E

Unit: mm (in.)



[Note]
Dwg. shows mounting blocks at original height.
Engine weight will compress blocks by 4mm (approx).

3-2-2. 3JH2BE

Unit: mm (in.)

