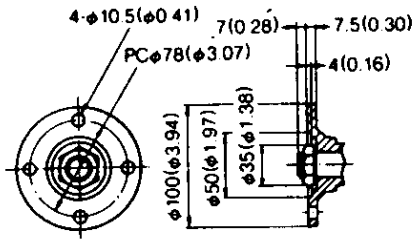


3. Engine Outline

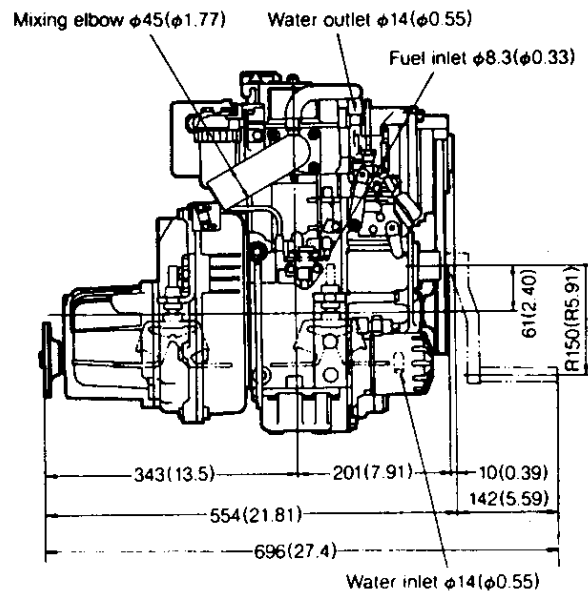
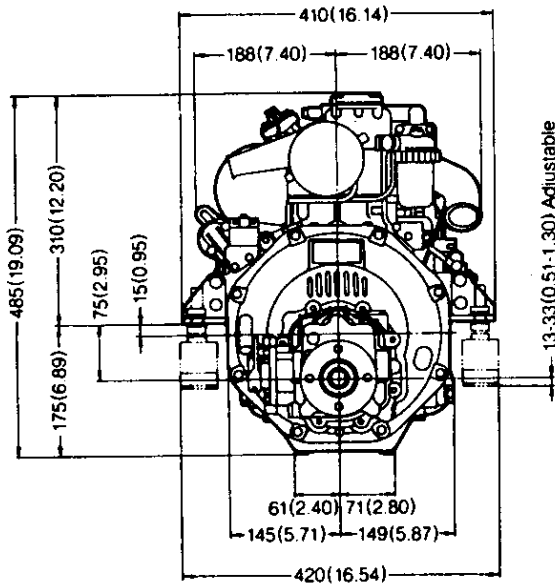
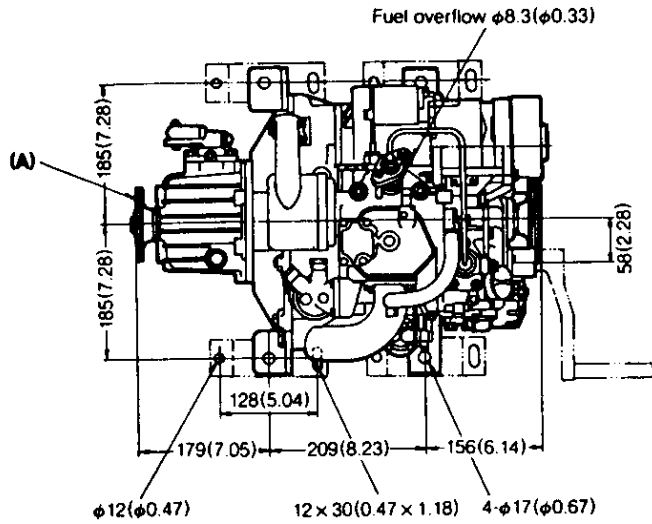
3-1. GM Series

3-1-1. 1GM10

Unit: mm (in.)



Detail of coupling (A)



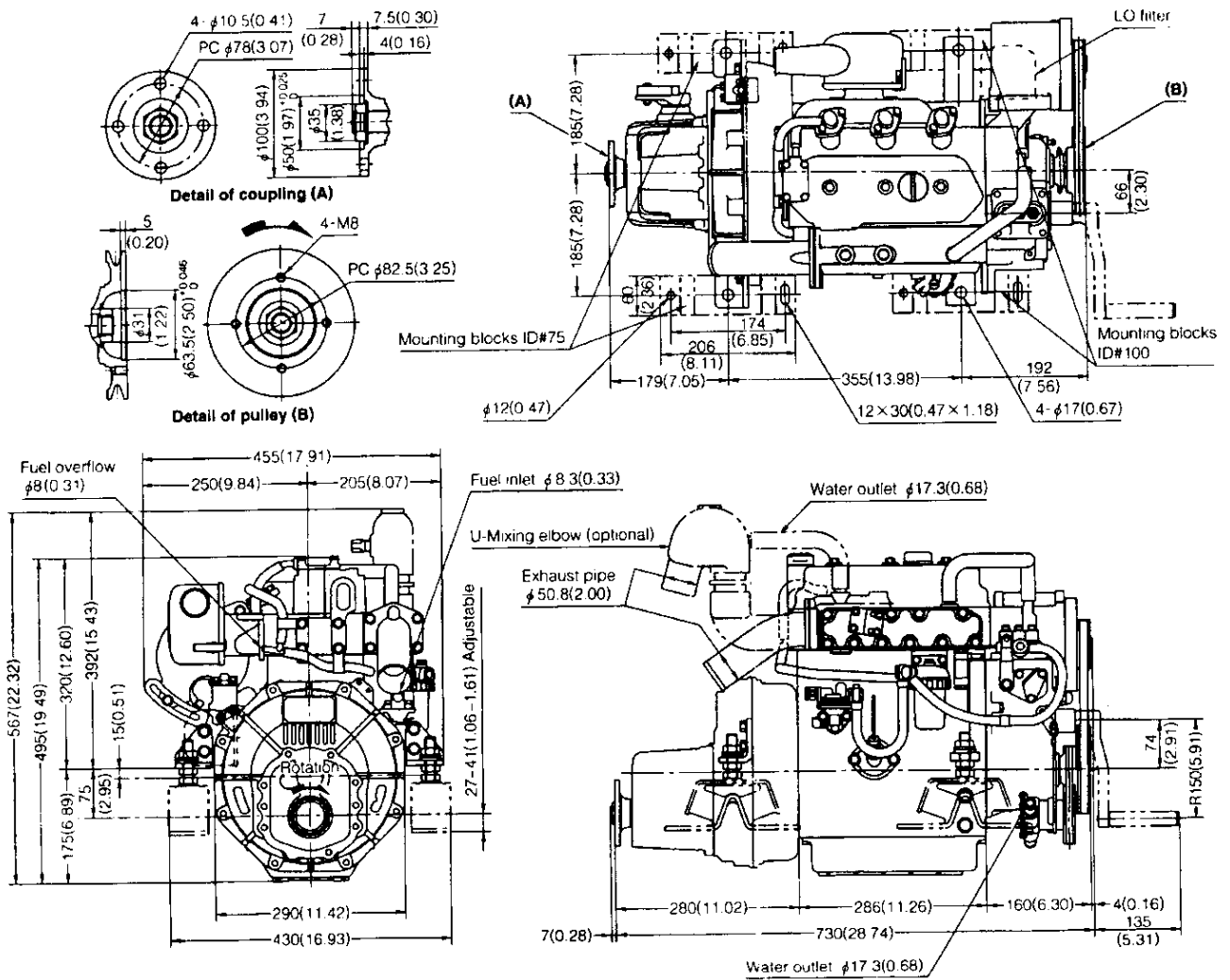
[Note]

Dwg. shows mounting blocks at original height.
 Engine weight will compress blocks by 3.0mm (approx).

3-8. 3GM30 Series (Yanmar Europe Product)

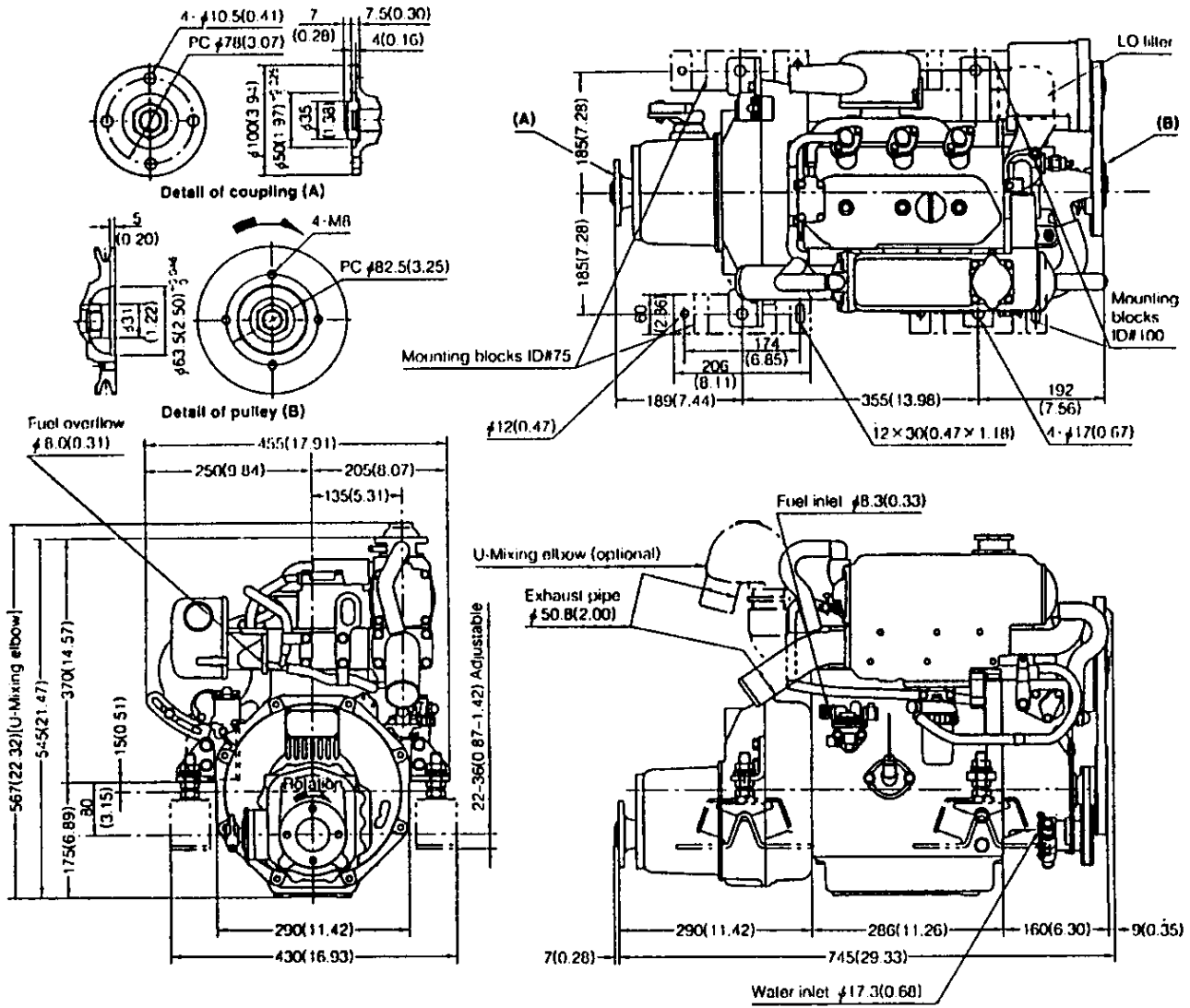
3-8-1. 3GM30 x KM2P

Unit: mm (in.)



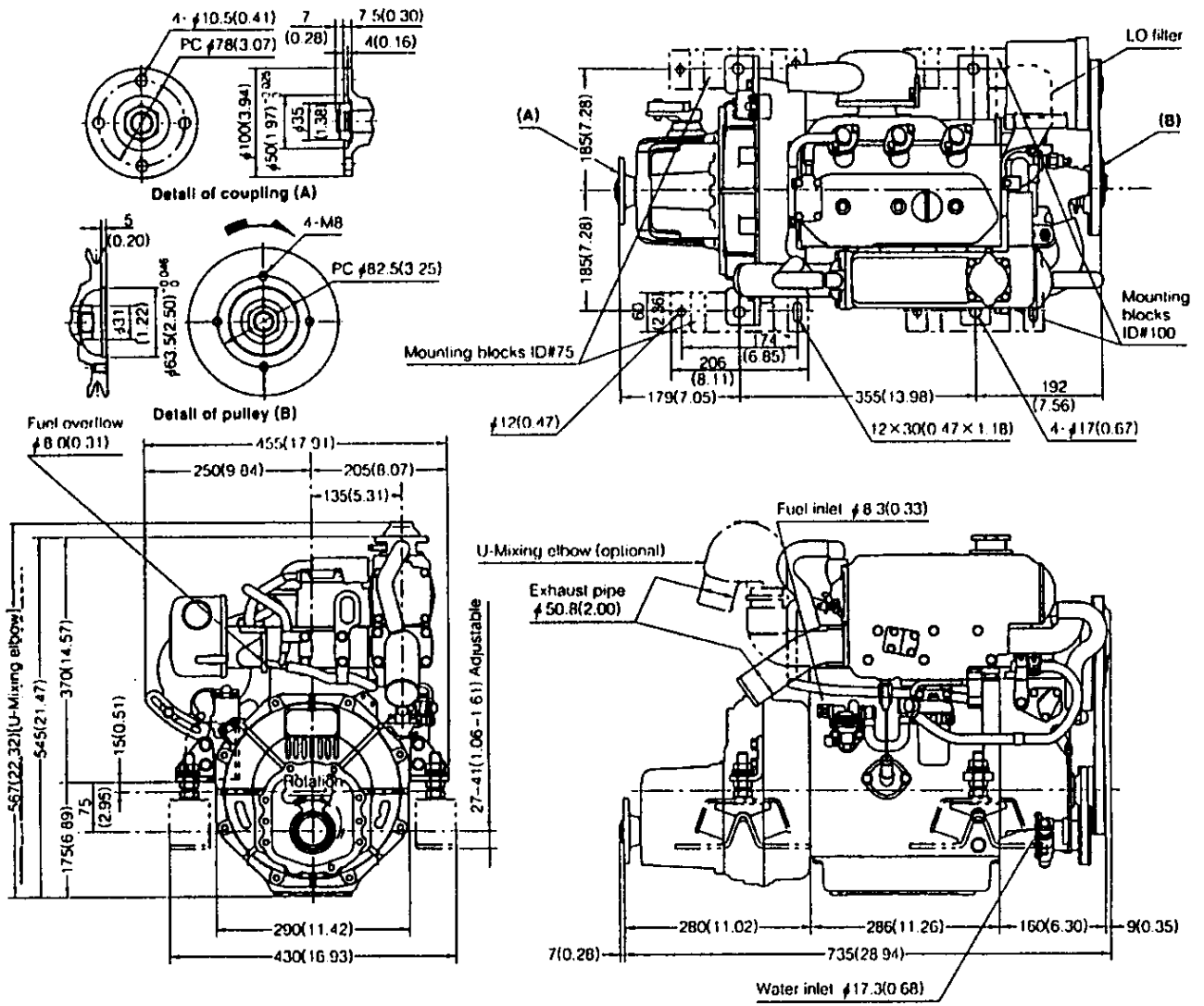
3-8-4. 3GM30F x KM3P

Unit: mm (in.)



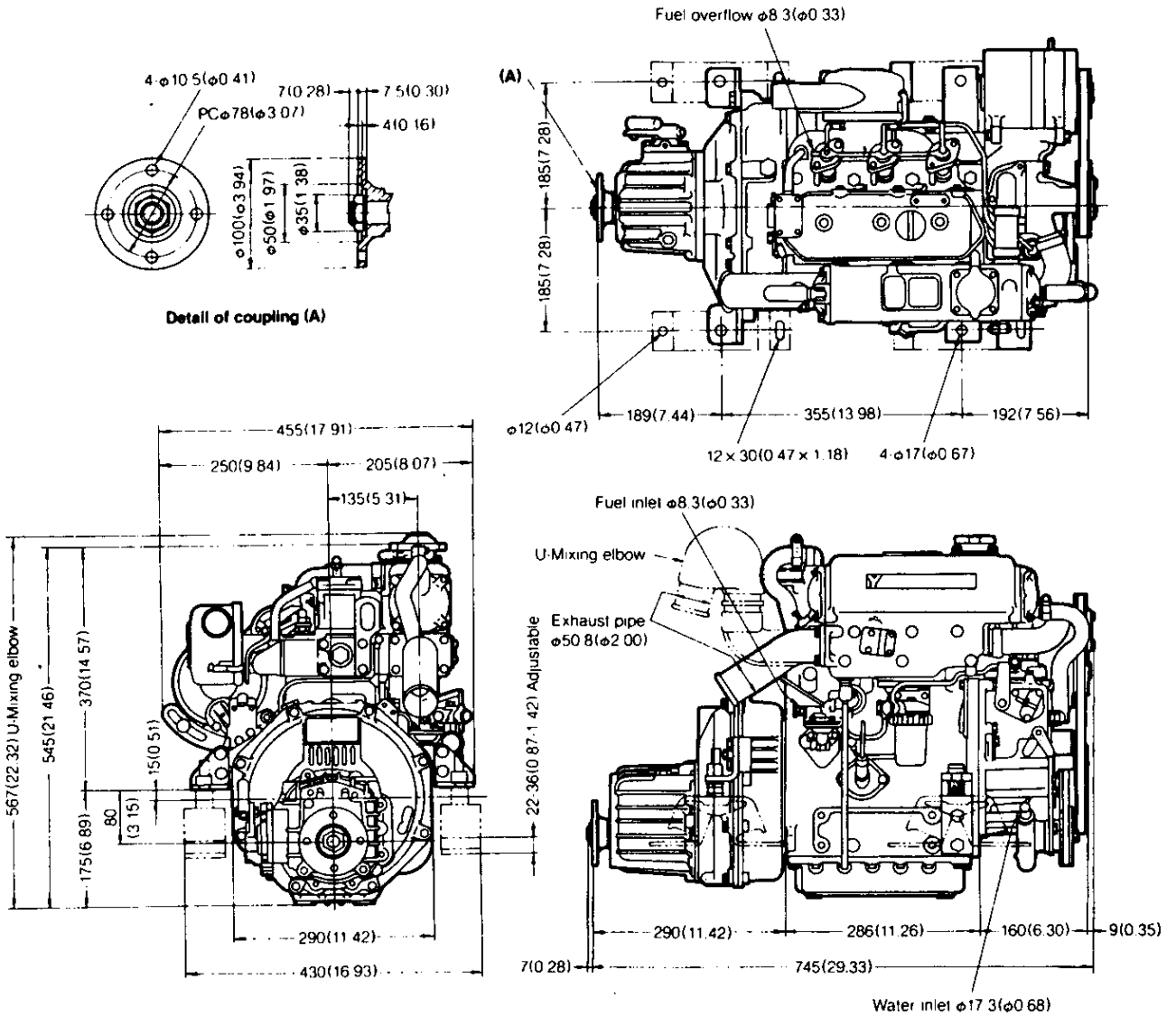
3-8-3. 3GM30F x KM2P

Unit: mm (in.)



3-1-5. 3GM30F

Unit: mm (in.)

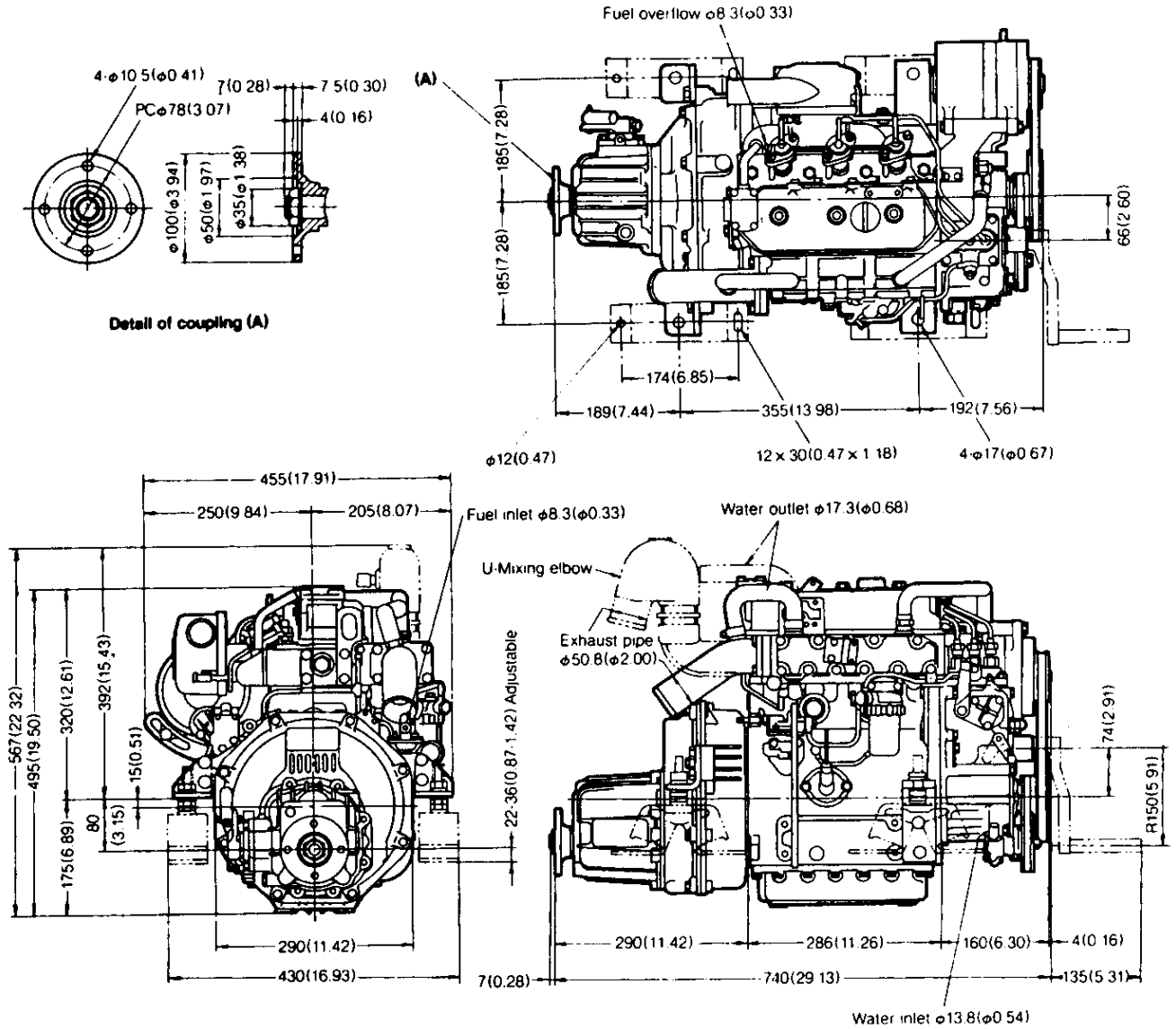


[Note]

Dwg. shows mounting blocks at original height.
 Engine weight will compress blocks by 4.5mm (approx).

3-1-3. 3GM30

Unit: mm (in.)

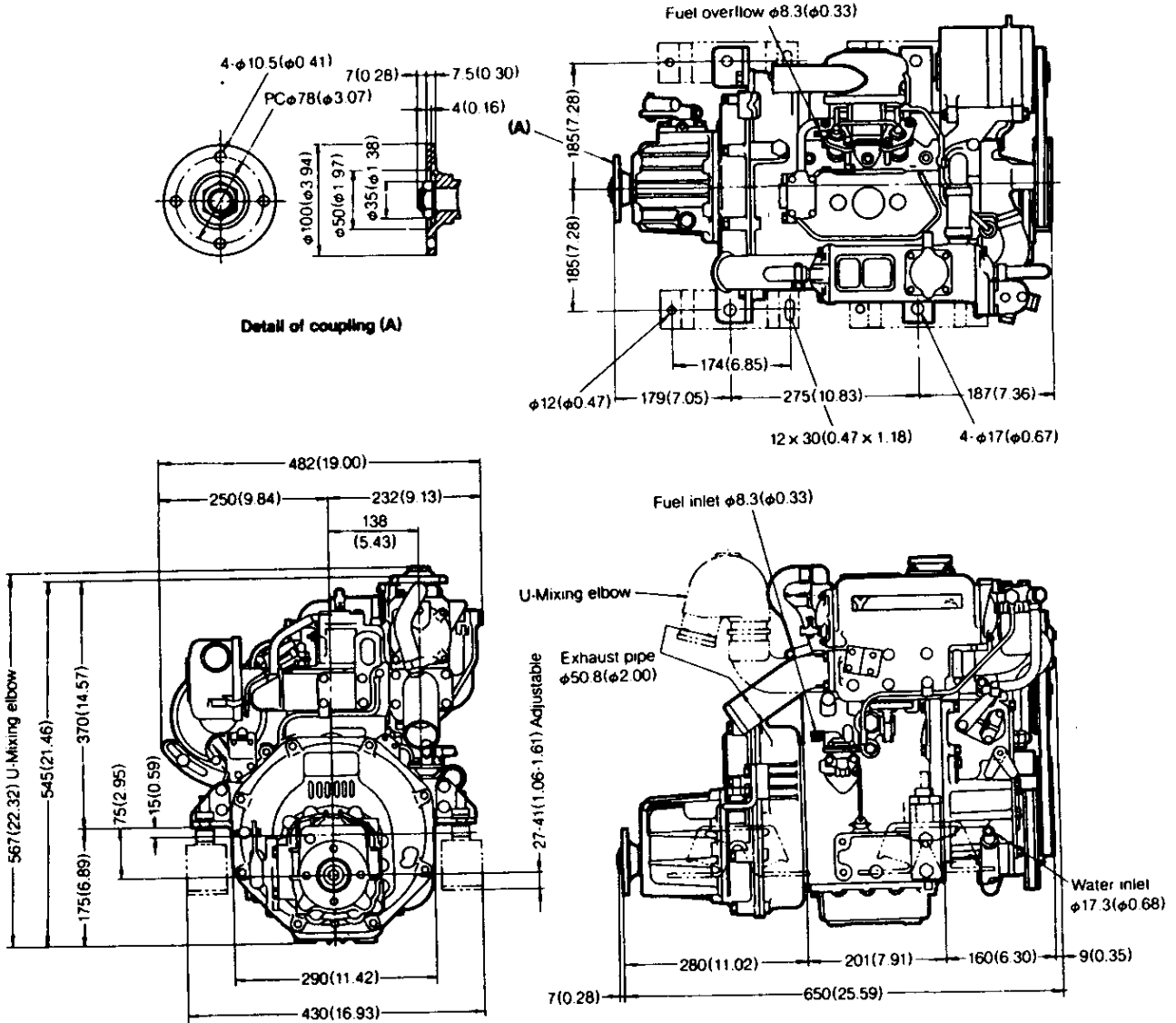


[Note]

Dwg. shows mounting blocks at original height.
 Engine weight will compress blocks by 4.5mm (approx).

3-1-4. 2GM20F

Unit: mm (in.)

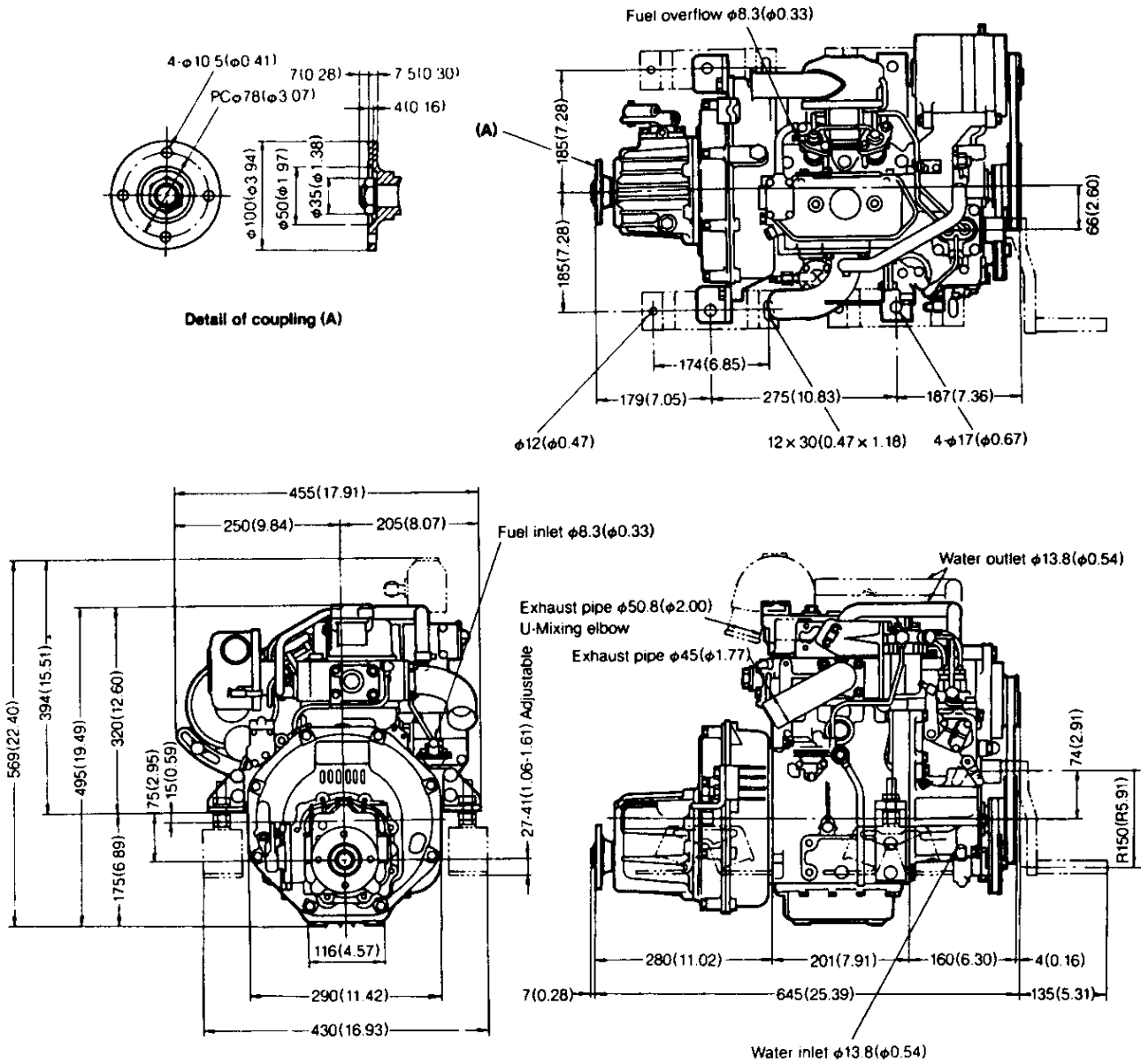


[Note]

Dwg. shows mounting blocks at original height.
 Engine weight will compress blocks by 3.5mm (approx).

3-1-2. 2GM20

Unit: mm (in.)



[Note]

Dwg. shows mounting blocks at original height.
 Engine weight will compress blocks by 3.5mm (approx).

3-8-2. 3GM30 x KM3P

Unit: mm (in.)

