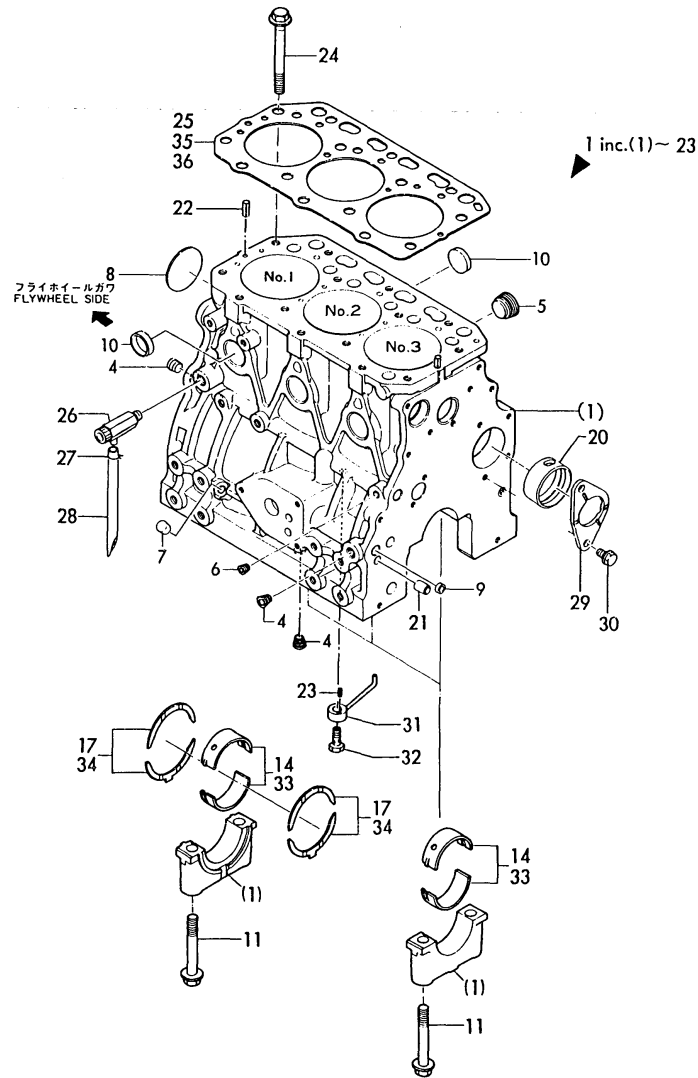


Fig.1.CYLINDER BLOCK

(A)=3JH2S-TBE (D)=3JH2G-TE
 (B)=3JH2G-TBE (E)=
 (C)=3JH2S-TE (F)=

Fig.1 シリンダブロック
 CYLINDER BLOCK



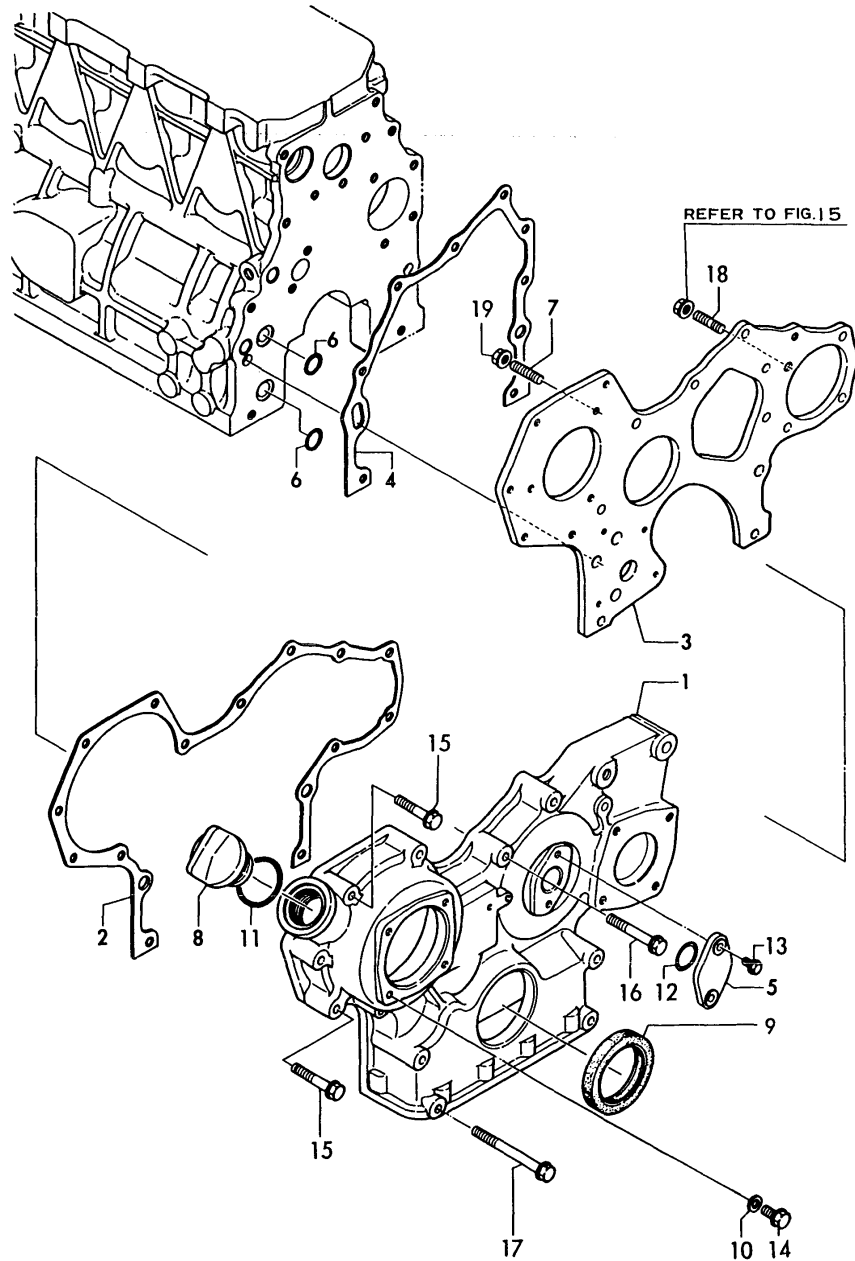
REF.	LEV.	PARTS NO.	DESCRIPTION	QTY						I	R
				(A)	(B)	(C)	(D)	(E)	(F)		
1	1	729171-01560	BLOCK ASSY, CYLINDER	1	1	1	1				
4	3	124160-01910	PLUG PT1/4	3	3	3	3				
5	3	171051-01921	PLUG	1	1	1	1				
6	3	23871-010000	PLUG PT1/8,SCREW	1	1	1	1				
7	3	27225-100140	PLUG 10X14	1	1	1	1				
8	3	27231-500000	PLUG 50	1	1	1	1				
9	3	27241-120000	PLUG 12	2	2	2	2				
10	3	27241-300000	PLUG 30	6	6	6	6				
11	2	129150-02020	BOLT, METAL CAP	8	8	8	8				
14	2	129150-02800	MAIN METAL	4	4	4	4				
17	2	129150-02930	METAL, THRUST	2	2	2	2				
20	2	129795-02411	BUSH, CAMSHAFT	1	1	1	1				
21	2	129795-01950	PIPE, KNOCK L=18	2	2	2	2				
22	2	22351-060012	SPRING PIN 6X12	2	2	2	2				
23	2	22351-030010	SPRING PIN 3X10	3	3	3	3				
24	1	129150-01200	STUD, CYL. HEAD	14	14	14	14				
25	1	129171-01330	GASKET, CYL. HEAD	1	1	1	1				3
26	1	128371-01800	COCK ASSY 1/4	1	1	1	1				
27	1	124460-77680	RETAINER	1	1	1	1				
28	1	23061-070300	PIPE 7X 300	1	1	1	1				
29	1	129150-02450	METAL,THRUST	1	1	1	1				
30	1	26106-080162	BOLT M 8X 16 PLATED	2	2	2	2				
31	1	129553-39650	NOZZLE	3	3	3	3				
32	1	23857-030000	JOINT BOLT 3	3	3	3	3				
33	1	129150-02870	MAIN METAL US=0.25	4	4	4	4				1
34	1	129150-02940	METAL,THRUST OS=0.25	2	2	2	2				2
35	1	129171-01320	GASKET, CYL. HEAD	1	1	1	1				4
36	1	129171-01340	GASKET, CYL. HEAD	1	1	1	1				4

Remarks
 1) UNDER SIZED METAL(0.25)
 2) OVER SIZED METAL(0.25)
 3) STANDARD
 4) ADJUSTMENT

(A)=3JH2S-TBE (D)=3JH2G-TE
 (B)=3JH2G-TBE (E)=
 (C)=3JH2S-TE (F)=

Fig.2.GEAR HOUSING

Fig.2 ギヤケース
 GEAR HOUSING

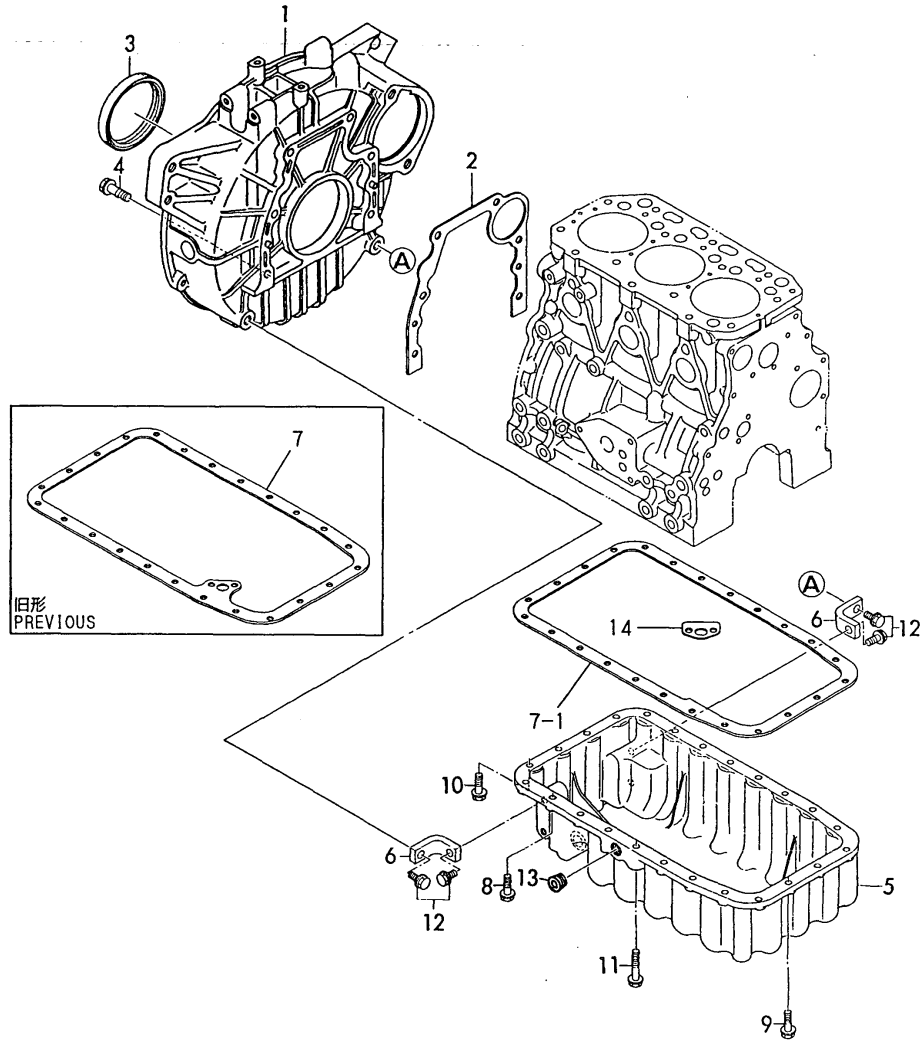


REF.	LEV.	PARTS NO.	DESCRIPTION	QTY						I	R
				(A)	(B)	(C)	(D)	(E)	(F)		
1	1	129470-01501	CASE, GEAR	1	1	1	1				
2	1	129470-01510	GASKET	1	1	1	1				
3	1	129150-01520	FLANGE	1	1	1	1				
4	1	129470-01530	GASKET	1	1	1	1				
5	1	121023-01550	COVER, BLIND	1	1	1	1				
6	1	129470-01550	O-RING	2	2	2	2				
7	1	121450-01560	STUD M 8X 22	3	3	3	3				
8	1	124160-01751	CAP, LUB.OIL SUPPLY	1	1	1	1				
9	1	129795-01800	SEAL, OIL	1	1	1	1				
10	1	23414-080000	GASKET 8, ROUND	4	4	4	4				
11	1	24311-000320	O-RING 1A P-32.0	1	1	1	1				
12	1	24341-000260	O-RING 1A S-26.0	1	1	1	1				
13	1	26106-060162	BOLT M 6X 16 PLATED	2	2	2	2				
14	1	26106-080162	BOLT M 8X 16 PLATED	4	4	4	4				
15	1	26106-080452	BOLT M 8X 45 PLATED	6	6	6	6				
16	1	26106-080552	BOLT M 8X 55 PLATED	3	3	3	6				
17	1	26106-080852	BOLT M 8X 85 PLATED	4	4	4	4				
18	1	26216-080182	STUD M 8X 18 PLATED	1	1	1	1				
19	1	26366-080002	NUT M 8	3	3	3	3				

(A)=3JH2S-TBE (D)=3JH2G-TE
 (B)=3JH2G-TBE (E)=
 (C)=3JH2S-TE (F)=

Fig.3.FLYWHEEL HOUSING

Fig.3 フライホイールハウジング&オイルパン
 FLYWHEEL HOUSING & LUB.OIL SUMP



REF.	LEV.	PARTS NO.	DESCRIPTION	QTY						I	R
				(A)	(B)	(C)	(D)	(E)	(F)		
1	1	129171-01600	HOUSING, FLYWHEEL	1	1	1	1				
2	1	129470-01620	GASKET	1	1	1	1				
3	1	129795-01780	SEAL, OIL	1	1	1	1				
4	1	26106-100302	BOLT M10X 30 PLATED	6	6	6	6				
5	1	129170-01700	OIL PAN	1	1	1	1				
6	1	129171-01710	BRACKET	2	2	2	2				
7	1	129198-01750	GASKET	1	1	1	1				
I	7-1	129150-01750	GASKET	1	1	1	1				F 1
		(A=E/#11306)	(B=E/#11299)	(C=E/#11300)	(D=E/#11307)						
8	1	26106-080252	BOLT M 8X 25 PLATED	10	10	10	10				
9	1	26106-080252	BOLT M 8X 25 PLATED	6	6	6	6				
10	1	26106-080252	BOLT M 8X 25 PLATED	4	4	4	4				
11	1	26106-080402	BOLT M 8X 40 PLATED	4	4	4	4				
12	1	26106-100252	BOLT M10X 25 PLATED	4	4	4	4				
13	1	23871-030000	PLUG PT3/8,SCREW	1	1	1	1				
I	14	129470-35040	GASKET	1	1	1	1				W
		(A=E/#11306)	(B=E/#11299)	(C=E/#11300)	(D=E/#11307)						

Remarks
 (1)INTERCHANGEABLE BY SIMULTANEOUS
 REPLACEMENT WITH REF.NO.7 IS
 REF.NO.7-1 & 14.

(A)=3JH2S-TBE (D)=3JH2G-TE
 (B)=3JH2G-TBE (E)=
 (C)=3JH2S-TE (F)=

Fig.4.LABEL

Fig. 4 メイバン LABEL

REF.	LEV.	PARTS NO.	DESCRIPTION	QTY						I	R
				(A)	(B)	(C)	(D)	(E)	(F)		
1	1	177088-02430	LABEL	1	1	1	1				
2	1	177075-02550	LABEL	1	1						
3	1	135665-07210	LABEL	1	1	1	1				
4	1	129198-07350	LABEL	1	1	1	1				
5	1	126630-07370	LABEL	1	1	1	1				
6	1	123682-07850	LABEL	1	1	1	1				
7	1	102210-07990	RIVET	4	4	4	4				
9	1	42222-003550	LABEL				1	1			
I 10	1	129171-07500		1	1	1	1				W
		(A=E10429)	(B=E10422)	(C=E10423)	(D=E10438)						
I 10-1	1	129171-07501		1	1	1	1				S
		(A=E10844)	(B=E10886)	(C=E10883)	(D=E10871)						

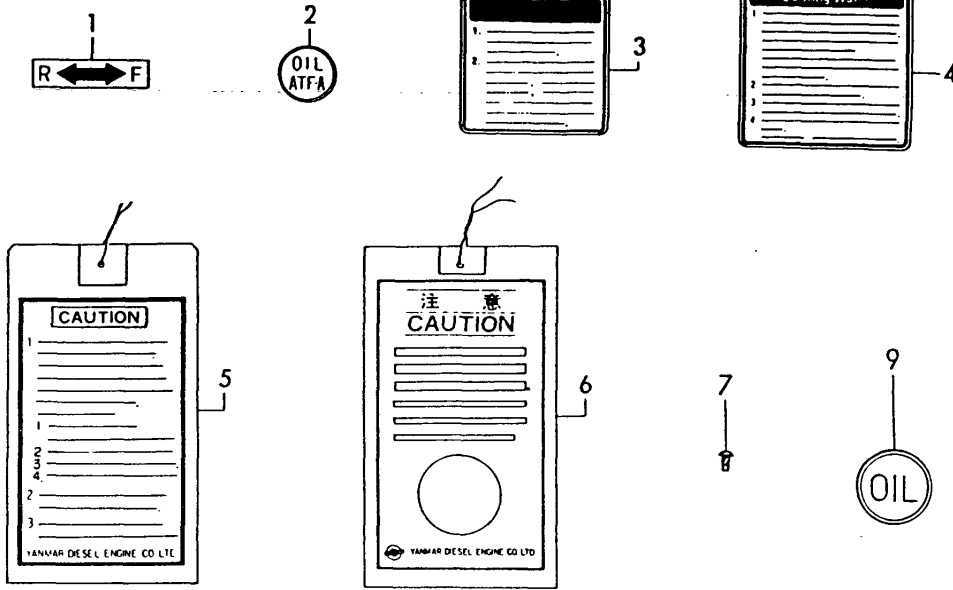
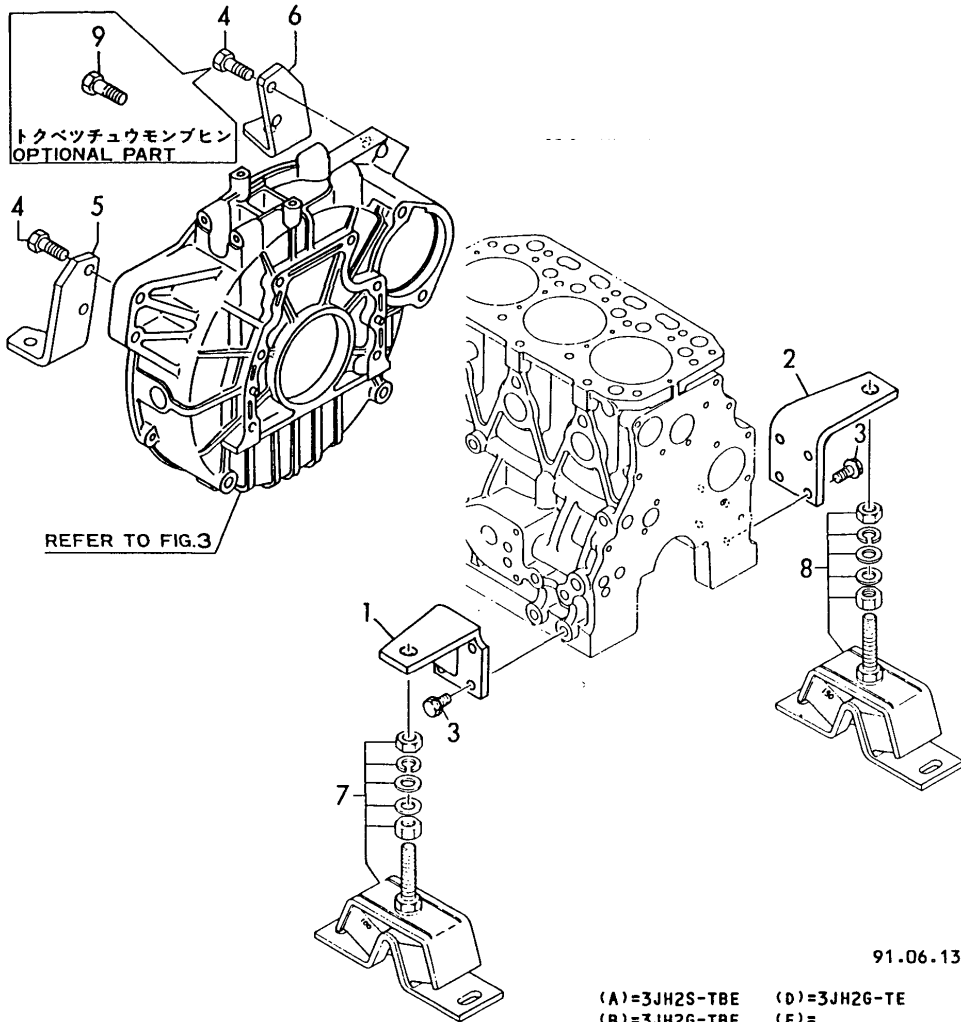


Fig.5.ENGINE BRACKET

(A)=3JH2S-TBE (D)=3JH2G-TE
 (B)=3JH2G-TBE (E)=
 (C)=3JH2S-TE (F)=

Fig. 5 マウンティングフット
 ENGINE BRACKET



(A)=3JH2S-TBE (D)=3JH2G-TE
 (B)=3JH2G-TBE (E)=
 (C)=3JH2S-TE (F)=

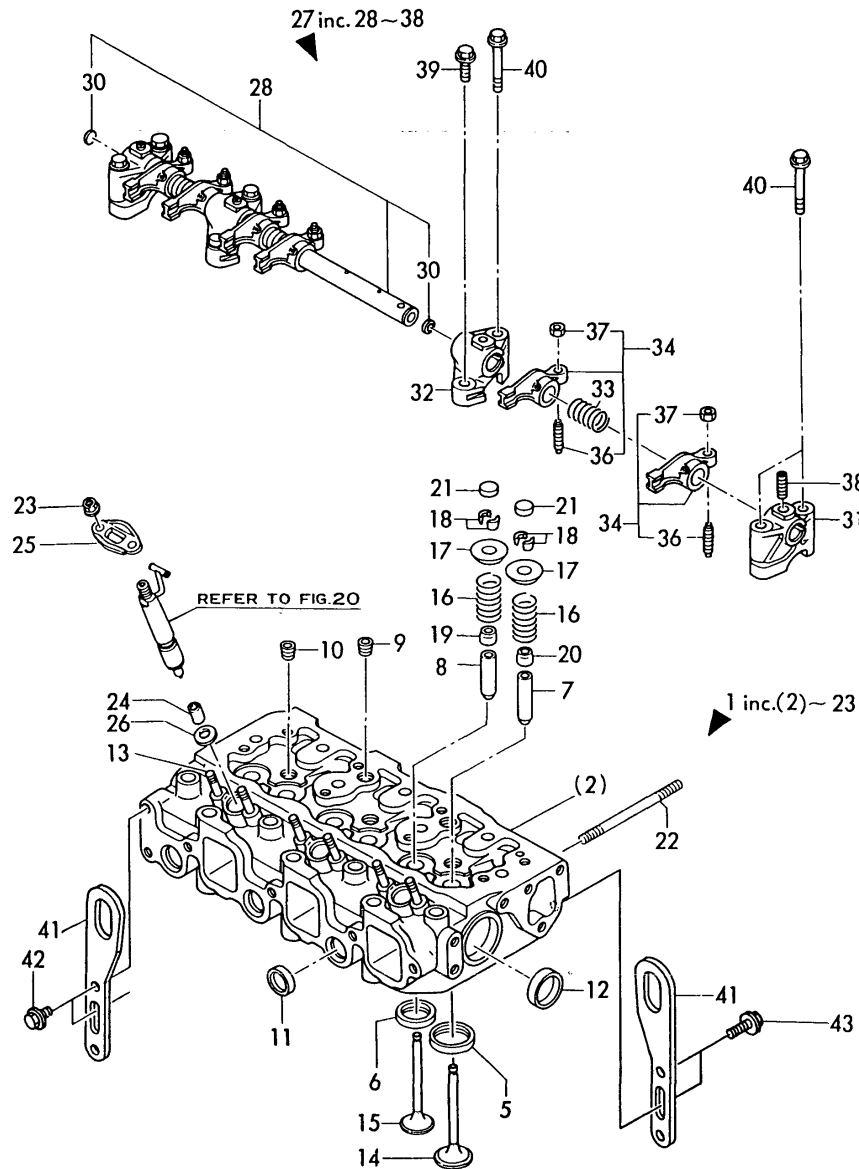
REF.	LEV.	PARTS NO.	DESCRIPTION	QTY						I	R
				(A)	(B)	(C)	(D)	(E)	(F)		
1	1	129171-08100	FOOT	1	1	1	1				
2	1	129171-08110	FOOT	1	1	1	1				
3	1	26106-100202	BOLT M10X 20 PLATED	8	8	8	8				
4	1	26116-120302	BOLT M12X 30 PLATED	4	4	4	4				
5	1	129470-08110	BRACKET	1	1	1	1				
6	1	129470-08120	BRACKET	1	1	1	1				
7	1	124772-08341	MOUNTING, FLEXIBLE	1	1	1	1				
8	1	121370-08351	MOUNTING, FLEXIBLE	1	1	1	1				
9	1	26116-120352	BOLT M12X 35 PLATED	4	4	4	4				1

Remarks
 1) OPTIONAL PARTS

(A)=3JH2S-TBE (D)=3JH2G-TE
 (B)=3JH2G-TBE (E)=
 (C)=3JH2S-TE (F)=

Fig.6.CYLINDER HEAD

Fig. 6 シリンダヘッド
 CYLINDER HEAD

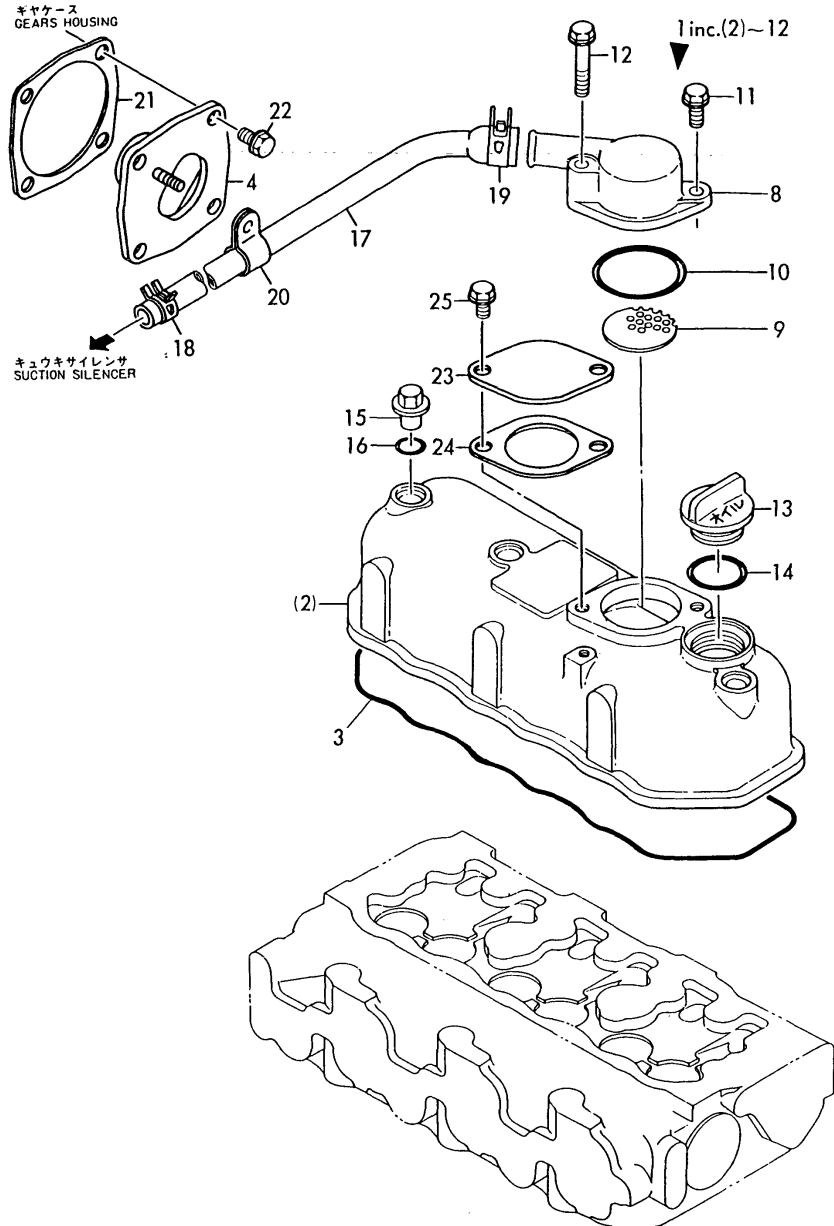


REF.	LEV.	PARTS NO.	DESCRIPTION	QTY						I	R
				(A)	(B)	(C)	(D)	(E)	(F)		
1	1	729198-11700	HEAD ASSY, CYLINDER	1	1	1	1				
5	3	129470-11850	SEAT, VALVE	3	3	3	3				
6	3	129470-11090	SEAT, VALVE (EXH)	3	3	3	3				
7	3	120130-11160	GUIDE, VALVE	3	3	3	3				
8	3	129150-11170	GUIDE, VALVE	3	3	3	3				
9	3	121850-11860	PLUG PT1/4	2	2	2	2				
10	3	23871-030000	PLUG PT3/8,SCREW	3	3	3	3				
11	3	27241-220000	PLUG 22	3	3	3	3				
12	3	27241-400000	PLUG 40	2	2	2	2				
13	3	26216-060202	STUD M 6X 20 PLATED	6	6	6	6				
14	2	129100-11100	VALVE, INTAKE	3	3	3	3				
15	2	129100-11110	VALVE, EXHAUST	3	3	3	3				
16	2	129795-11120	SPRING, VALVE	6	6	6	6				
17	2	129795-11180	RETAINER, SPRING	6	6	6	6				
18	2	103338-11190	COTTER 8	6	6	6	6				
19	2	121400-11340	SEAL, VALVE STEM	3	3	3	3				
20	2	124460-11340	SEAL, VALVE STEM	3	3	3	3				
21	2	104511-11370	CAP, VALVE	6	6	6	6				
22	2	26216-081002	STUD M 8X100 PLATED	2	2	2	2				
23	2	26367-060002	NUT M 6	6	6	6	6				
24	1	119625-11870	PROTECTOR, NOZZLE	3	3	3	3				
25	1	119625-11900	RETAINER	3	3	3	3				
26	1	119625-11880	SEAT, NOZZLE	3	3	3	3				
27	1	129155-11241	SHAFT ASSY, ROCKER	1	1	1	1				
28	2	129150-11290	SHAFT, ROCKER ARM	1	1	1	1				
30	3	27241-100000	PLUG 10	2	2	2	2				
31	2	129155-11260	SUPPORT, ROCKER ARM	2	2	2	2				
32	2	129155-11270	SUPPORT, ROCKER ARM	2	2	2	2				
33	2	129150-11280	SPRING	3	3	3	3				
34	2	729402-11650	ARM ASSY, ROCKER	6	6	6	6				
36	3	129150-11230	SCREW, VALVE	6	6	6	6				
37	3	129150-11750	NUT M8XP1.0	6	6	6	6				
38	2	26226-080182	STUD M 8X 18 PLATED	3	3	3	3				
39	1	26106-080252	BOLT M 8X 25 PLATED	2	2	2	2				
40	1	26106-080502	BOLT M 8X 50 PLATED	6	6	6	6				
41	1	129171-07900	RETAINER	2	2	2	2				
42	1	26106-080142	BOLT M 8X 14 PLATED	2	2	2	2				
43	1	26106-080222	BOLT M 8X 22 PLATED	2	2	2	2				

Fig.7.BONNET

(A)=3JH2S-TBE (D)=3JH2G-TE
 (B)=3JH2G-TBE (E)=
 (C)=3JH2S-TE (F)=

Fig.7 ボンネット
 BONNET

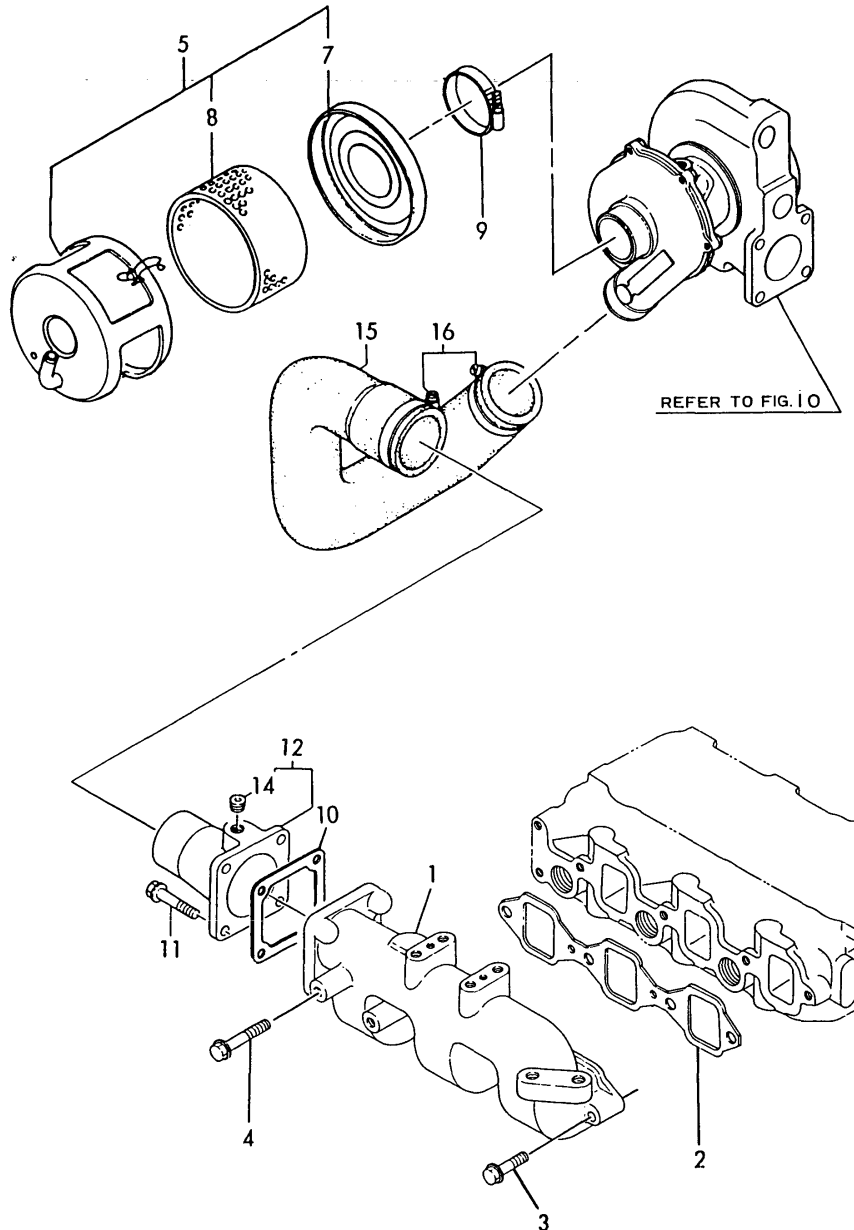


REF.	LEV.	PARTS NO.	DESCRIPTION	QTY						I	R
				(A)	(B)	(C)	(D)	(E)	(F)		
1	1	729171-11520	BONNET ASSY, HEAD	1	1	1	1				
3	2	129150-11310	GASKET, BONNET	1	1	1	1				
4	2	129171-03020	BRACKET	1	1	1	1				
8	2	129470-03010	COVER, BREATHER	1	1	1	1				
9	2	121750-03080	PLATE, BAFFLE	1	1	1	1				
10	2	24341-000500	O-RING 1A S-50.0	1	1	1	1				
11	2	26106-080202	BOLT M 8X 20 PLATED	1	1	1	1				
12	2	26106-080402	BOLT M 8X 40 PLATED	1	1	1	1				
13	1	124160-01751	CAP, LUB.OIL SUPPLY	1	1	1	1				
14	1	24311-000320	O-RING 1A P-32.0	1	1	1	1				
15	1	124160-11360	KNOB	3	3	3	3				
16	1	24311-000120	O-RING 1A P 12.0	3	3	3	3				
17	1	129171-03090	PIPE, BREATHER	1	1	1	1				
18	1	129301-03660	CLAMP 16	1	1	1	1				
19	1	129410-03990	CLAMP 24	1	1	1	1				
20	1	23297-160081	RETAINER 16X 8	1	1	1	1				
21	1	129150-01881	GASKET, (NON ASB.)	1	1	1	1				
22	1	26106-080162	BOLT M 8X 16 PLATED	4	4	4	4				
23	1	129171-11320	COVER, BONNET	1	1	1	1				
24	1	129171-11330	GASKET	1	1	1	1				
25	1	26106-080142	BOLT M 8X 14 PLATED	2	2	2	2				

Fig.8.SUCTION MANIFOLD (4JH2(B,P)E)

(A)=3JH2S-TBE (D)=3JH2G-TE
 (B)=3JH2G-TBE (E)=
 (C)=3JH2S-TE (F)=

Fig. 8 キュウキマニホールド
 SUCTION MANIFOLD

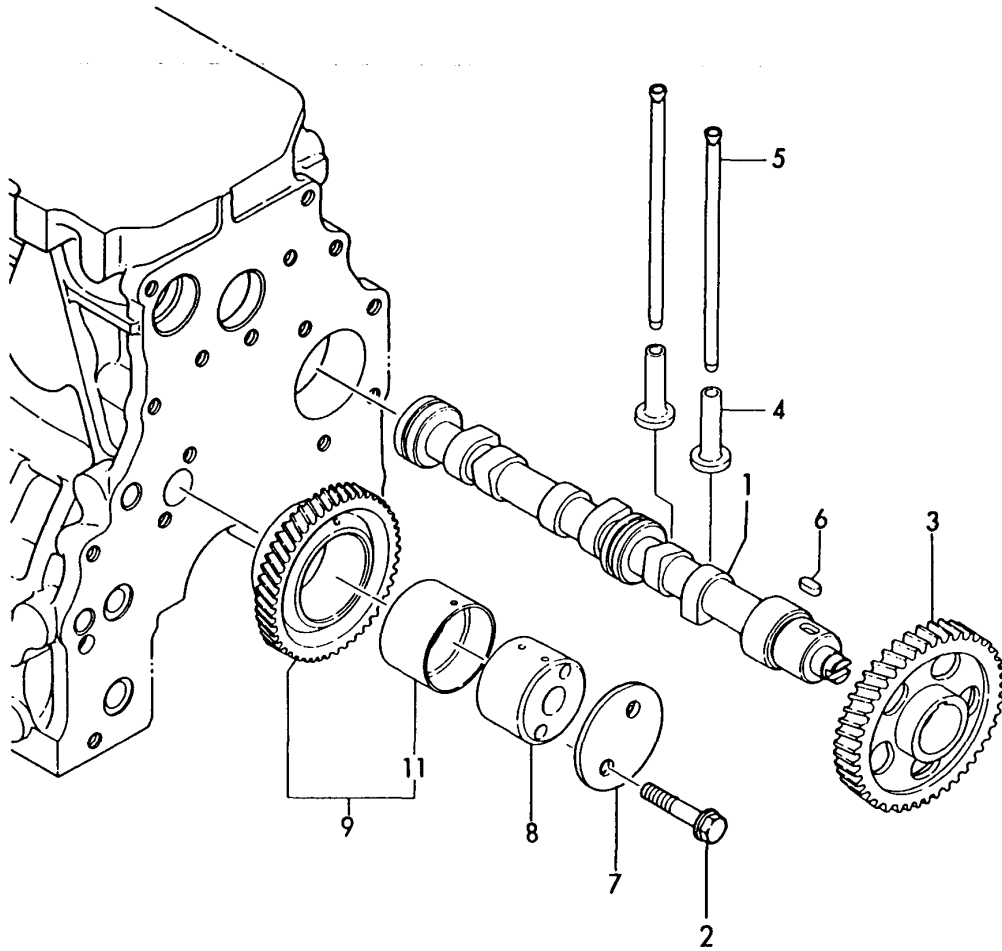


REF.	LEV.	PARTS NO.	DESCRIPTION	QTY						I	R
				(A)	(B)	(C)	(D)	(E)	(F)		
1	1	129170-12100	MANIFOLD	1	1	1	1				
2	1	129150-12111	GASKET, (NON-ASB.)	1	1	1	1				
3	1	26106-080252	BOLT M 8X 25 PLATED	3	3	3	3				
4	1	26106-080352	BOLT M 8X 35 PLATED	1	1	1	1				
5	1	129470-12301	SILENCER, INTAKE	1	1	1	1				
7	2	129470-12320	BRACKET	1	1	1	1				
8	2	129470-12330	ELEMENT ASSY	1	1	1	1				
9	1	23000-054000	CLAMP 54	1	1	1	1				
10	1	129470-77590	GASKET, (NON-ASB.)	1	1	1	1				
11	1	26106-080202	BOLT M 8X 20 PLATED	4	4	4	4				
12	1	129470-12210	JOINT ASSY	1	1	1	1				
14	2	23871-010000	PLUG PT1/8,SCREW	1	1	1	1				
15	1	129472-12850	PIPE, RUBBER	1	1	1	1				
16	1	23000-060000	CLAMP 60	2	2	2	2				

Fig.9.CAMSHAFT & IDLE GEAR

(A)=3JH2S-TBE (D)=3JH2G-TE
 (B)=3JH2G-TBE (E)=
 (C)=3JH2S-TE (F)=

Fig. 9 カムシャフト & クドウギヤ
 CAMSHAFT & DRIVING GEAR

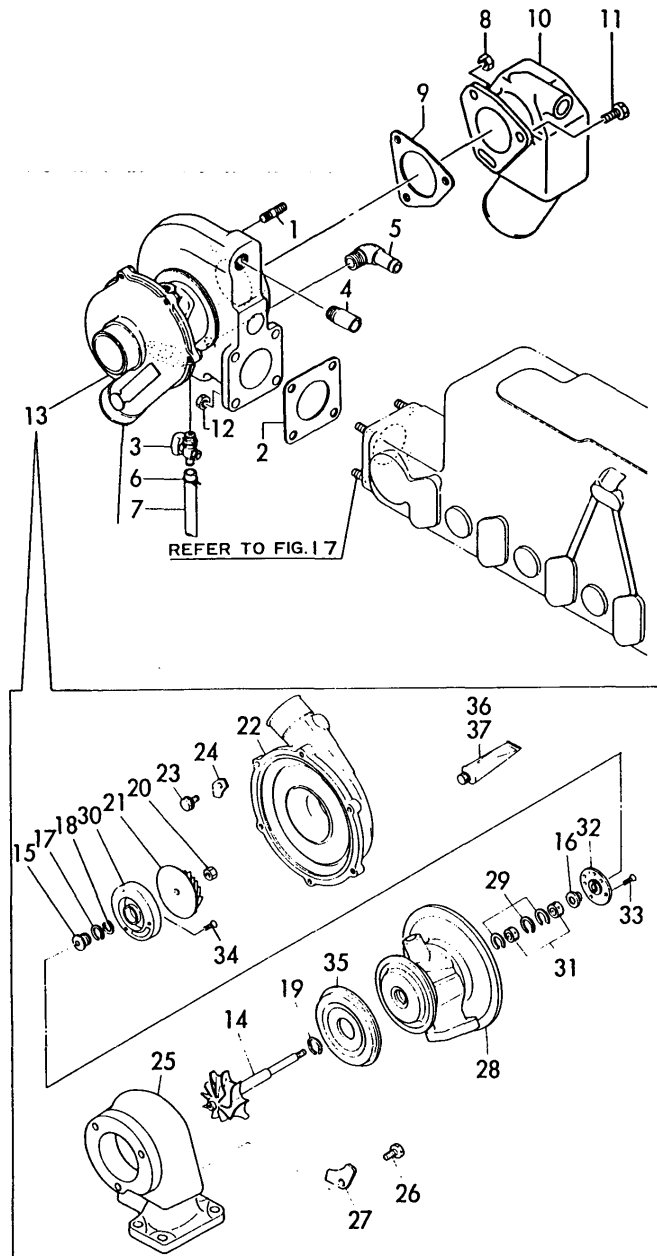


REF.	LEV.	PARTS NO.	DESCRIPTION	QTY						I	R
				(A)	(B)	(C)	(D)	(E)	(F)		
1	1	129171-14010	CAMSHAFT	1	1	1	1				
2	1	26106-080452	BOLT M 8X 45 PLATED	2	2	2	2				
3	1	129150-14101	GEAR, CAMSHAFT	1	1	1	1				
4	1	129150-14200	TAPPET	6	6	6	6				
5	1	119171-14400	PUSH ROD	6	6	6	6				
6	1	22512-070140	KEY 7X 14	1	1	1	1				
7	1	129150-25020	RETAINER	1	1	1	1				
8	1	129150-25052	SHAFT, IDLE	1	1	1	1				
9	1	129573-25100	GEAR ASSY, IDLE	1	1	1	1				
11	2	129573-25060	BUSH, IDLE GEAR	1	1	1	1				

(A)=3JH2S-TBE (D)=3JH2G-TE
 (B)=3JH2G-TBE (E)=
 (C)=3JH2S-TE (F)=

Fig.10.TURBOCHARGER & MIXING ELBOW

Fig. 10 タービン & ミキシングエルボ
 TURBOCHARGER & MIXING ELBOW

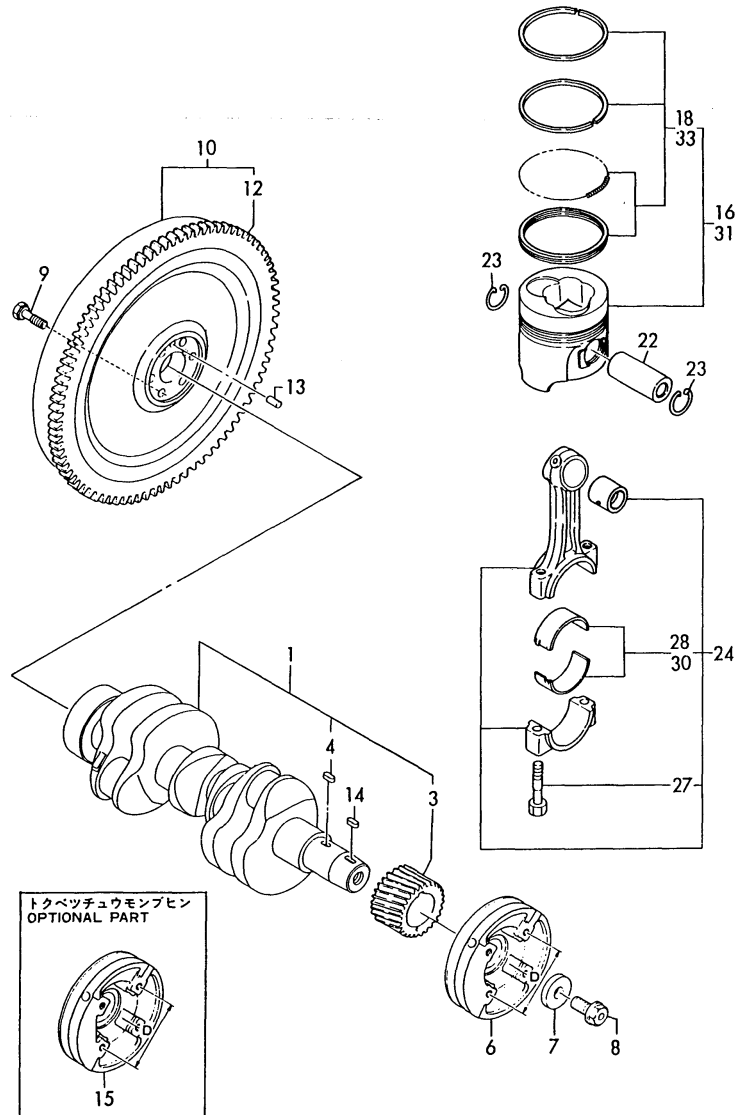


REF.	LEV.	PARTS NO.	DESCRIPTION	QTY						I	R
				(A)	(B)	(C)	(D)	(E)	(F)		
1	1	128170-13600	STUD	1	1	1	1				
2	1	129472-18090	GASKET	1	1	1	1				
3	1	128695-44090	COCK PT1/8	1	1	1	1				
4	1	104407-44480	JOINT	1	1	1	1				
5	1	171007-49400	JOINT	1	1	1	1				
6	1	124460-77680	RETAINER	1	1	1	1				
7	1	23061-070300	PIPE 7X 300	1	1	1	1				
8	1	26703-080002	NUT M 8	1	1	1	1				
9	1	129472-13520	GASKET	1	1	1	1				
10	1	129171-13550	ELBOW, MIXING	1	1	1	1				
11	1	26203-080202	BOLT M 8X 20	2	2	2	2				
12	1	26703-080002	NUT M 8	4	4	4	4				
13	1	129171-18000	TURBOCHARGER	1	1	1	1				
14	2	XNN131111	SHAFT,TURBO	1	1	1	1				
15	2	XNN131004	OIL DRIP	1	1	1	1				
16	2	XNN131005	THRUST BUSH	1	1	1	1				
17	2	XNN131008	SEAL RING,BLOW.SIDE	1	1	1	1				
18	2	XNB131008	SEAL RING,BLOW.SIDE	1	1	1	1				
19	2	XNN131536	SEALING	1	1	1	1				
20	2	XNN131108	NUT	1	1	1	1				
21	2	XNN136511	WHEEL BR348C	1	1	1	1				
22	2	XNE924000	HOUSING,BLOWER	1	1	1	1				
23	2	XNB134007	BOLT M 5	6	6	6	6				
24	2	XNN134035	RETAINER	6	6	6	6				
25	2	XNE928697	HOUSING,TURBO.	1	1	1	1				
26	2	XNN137007	BOLT M8	4	4	4	4				
27	2	XNN137423	BRACKET	4	4	4	4				
28	2	XNE923301	HOUSING, BEARI	1	1	1	1				
29	2	XNN133208	CIRCLIP	3	3	3	3				
30	2	XNN133022	PLATE, SEAL	1	1	1	1				
31	2	XNN133504	FLOATING BEARING	2	2	2	2				
32	2	XNN133589	THRUST METAL	1	1	1	1				
33	2	XNB133206	SCREW	4	4	4	4				
34	2	XNB133208	SCREW(SEAL PLATE	3	3	3	3				
35	2	XNN137055	HEAT PROTECTOR	1	1	1	1				
36	2	XN193653	GASKET, LIQUID	1	1	1	1				
37	2	XNN193655	BONDO	1	1	1	1				
38	2	XNN139726	BRACKET	1	1	1	1				1
39	2	XNN139707	HOUSING,BEARING	1	1	1	1				1

(A)=3JH2S-TBE (D)=3JH2G-TE
 (B)=3JH2G-TBE (E)=
 (C)=3JH2S-TE (F)=

Fig.11.CRANKSHAFT & FLYWHEEL

Fig. 11 クランクシャフト & ピストン
 CRANKSHAFT & PISTON

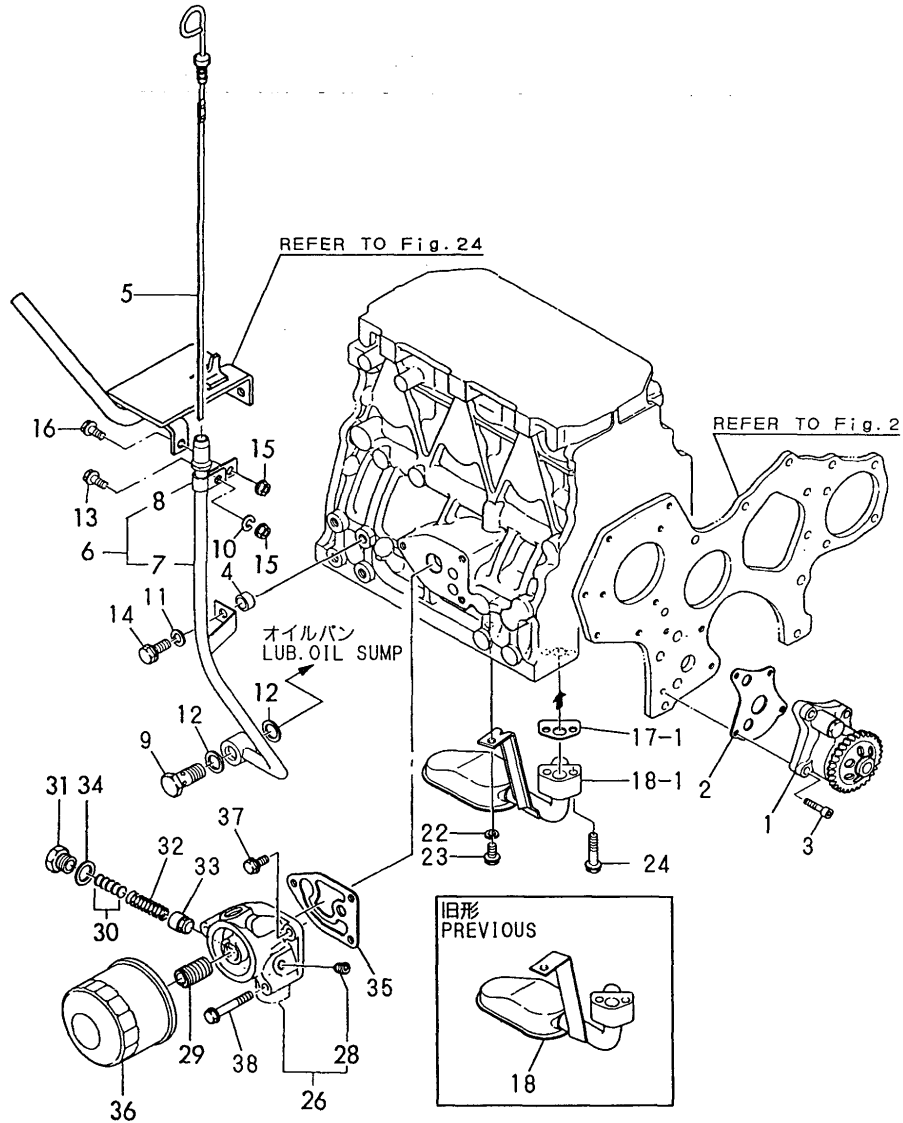


REF.	LEV.	PARTS NO.	DESCRIPTION	QTY						I	R	
				(A)	(B)	(C)	(D)	(E)	(F)			
1	1	129171-21001	CRANKSHAFT ASSY	1	1	1	1					
3	2	129150-21200	GEAR, CRANKSHAFT	1	1	1	1					
4	2	22512-070140	KEY 7X 14	1	1	1	1					
6	1	129171-21650	V-PULLEY	1	1	1	1					
7	1	129795-21661	WASHER	1	1	1	1					
8	1	121850-21680	BOLT, V-PULLEY	1	1	1	1					
9	1	121111-21501	BOLT, FLYWHEEL	6	6	6	6					
10	1	129171-21590	FLYWHEEL W/GEAR	1	1	1	1					
10-1	1	129170-21581	FLYWHEEL ASSY	1	1	1	1					S
		(A=E10844)	(B=E10886)	(C=E10883)	(D=E10871)							
12	2	104211-21600	GEAR, RING	1	1	1	1					
13	1	22312-080160	PARALLEL PIN 8X 16	1	1	1	1					
14	1	22512-070160	KEY 7X 16	1	1	1	1					
15	1	129170-21650	PULLY	1	1	1	1					3
16	1	129171-22000	PISTON W/RINGS	3	3	3	3					
18	2	729573-22500	RING SET	3	3	3	3					
22	1	129171-22300	PIN, PISTON	3	3	3	3					
23	1	22252-000260	CIRCLIP 26	6	6	6	6					
24	1	729402-23100	ROD ASSY, CONNECTING	3	3	3	3					
27	2	121550-23200	BOLT, CONNECTING ROD	6	6	6	6					
28	2	129150-23600	BEARING, CRANKPIN	3	3	3	3					
30	1	129150-23610	METAL.PIN US=0.25	3	3	3	3					1
31	1	129171-22500	PISTON W/RING(.25O.S	3	3	3	3					2
33	2	729573-22540	RING SET O.S=0.25	3	3	3	3					2

Remarks
 (1)UNDER SIZED OPTIONAL PARTS
 (2)OVER SIZED OPTIONAL PARTS
 (3)OPTIONAL PART.

Fig.12.LUB. OIL PUMP

Fig. 12 潤滑油システム
LUB. OIL SYSTEM



見出しNo. 25は、見出しNo. 26から34を含みます。
25 inc. 26 ~ 34

(A)=3JH2S-TBE (D)=3JH2G-TE
(B)=3JH2G-TBE (E)=
(C)=3JH2S-TE (F)=

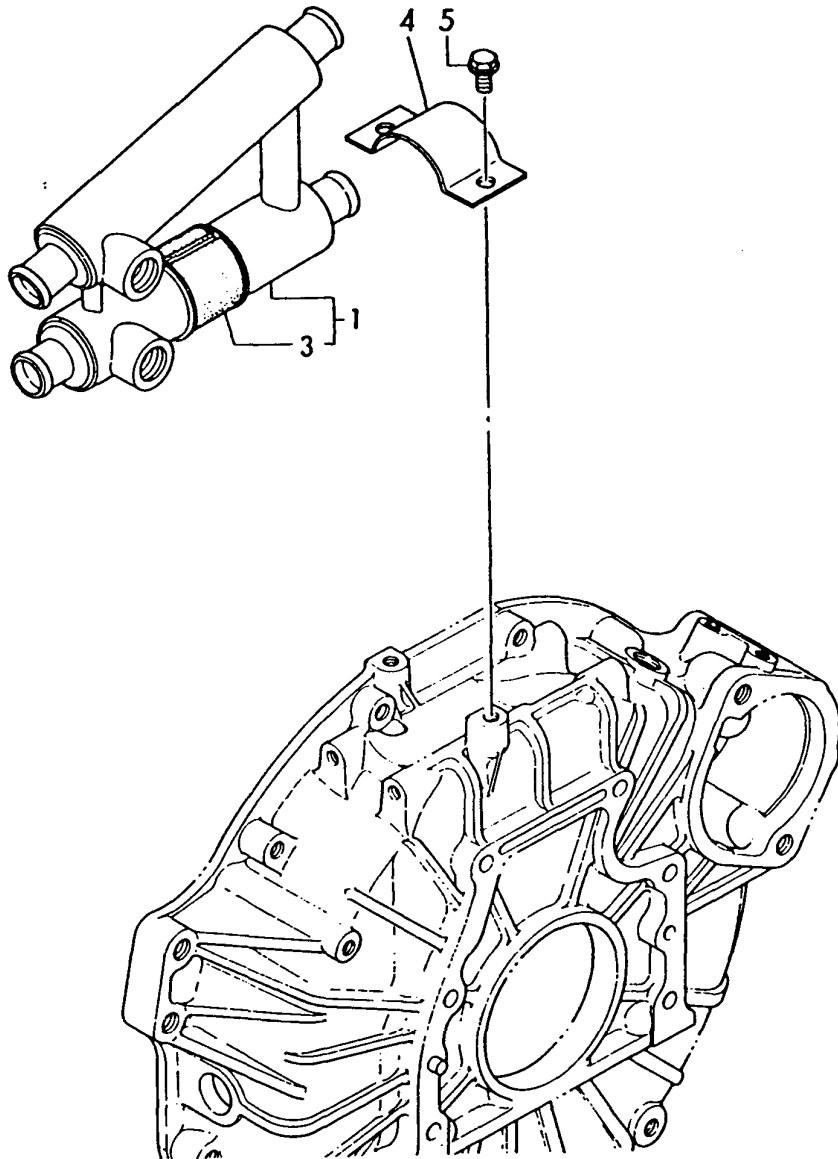
REF.	LEV.	PARTS NO.	DESCRIPTION	QTY						I	R	
				(A)	(B)	(C)	(D)	(E)	(F)			
1	1	129470-32000	PUMP ASSY, LUB. OIL	1	1	1	1					
2	1	129150-32020	GASKET, L.O. PUMP	1	1	1	1					
3	1	26450-060252	BOLT M 6X 25	4	4	4	4					
4	1	129301-34830	SPACER	1	1	1	1					
5	1	129473-34850	LEVEL GAUGE	1	1	1	1					
6	1	129473-34880	GUIDE, DIPSTICK	1	1	1	1					
7	2	129473-34861	GUIDE, DIPSTICK	1	1	1	1					
8	2	129590-34870	SPRING WASHER 8	1	1	1	1					
9	1	104214-39720	BOLT, PIPE JOINT	1	1	1	1					
10	1	22217-080000	SPRING WASHER 8	1	1	1	1					
11	1	22217-100000	SPRING WASHER 10	1	1	1	1					
12	1	23414-160000	GASKET 16, ROUND	2	2	2	2					
13	1	26106-080162	BOLT M 8X 16 PLATED	1	1	1	1					
14	1	26106-100252	BOLT M10X 25 PLATED	1	1	1	1					
15	1	26366-080002	NUT M 8	2	2	2	2					
16	1	26106-080122	BOLT M 8X 12 PLATED	1	1	1	1					
17	1	129470-35040	GASKET	1	1	1	1					
18	1	129473-35090	PIPE	1	1	1	1					
I	18-1	129473-35091	PIPE ASSY, OIL INLET	1	1	1	1					N
		(A=E/#11306) (B=E/#11299) (C=E/#11300) (D=E/#11307)										
22	1	22217-080000	SPRING WASHER 8	1	1	1	1					
23	1	26106-080142	BOLT M 8X 14 PLATED	1	1	1	1					
24	1	26106-080352	BOLT M 8X 35 PLATED	2	2	2	2					
25	1	129470-35101	BRACKET ASSY, FILTER	1	1	1	1					
26	2	129470-35131	BRACKET SET	1	1	1	1					
28	3	23871-020000	PLUG PT1/4, SCREW	1	1	1	1					
29	2	129100-35140	STUD	1	1	1	1					
30	2	121850-35200	SHIM SET	1	1	1	1					
31	2	124223-35510	RETAINER	1	1	1	1					
32	2	121850-35520	SPRING, VALVE	1	1	1	1					
33	2	121850-35531	VALVE	1	1	1	1					
34	2	23414-180000	GASKET 18, ROUND	1	1	1	1					
35	1	129470-35121	GASKET	1	1	1	1					
36	1	119305-35150	FILTER, LUB. OIL	1	1	1	1					
37	1	26106-080202	BOLT M 8X 20 PLATED	1	1	1	1					
38	1	26106-080552	BOLT M 8X 55 PLATED	2	2	2	2					

(A)=3JH2S-TBE (D)=3JH2G-TE
 (B)=3JH2G-TBE (E)=
 (C)=3JH2S-TE (F)=

Fig.13.LUB.OIL COOLER

Fig. **13** オイルクーラ
 LUB. OIL COOLER

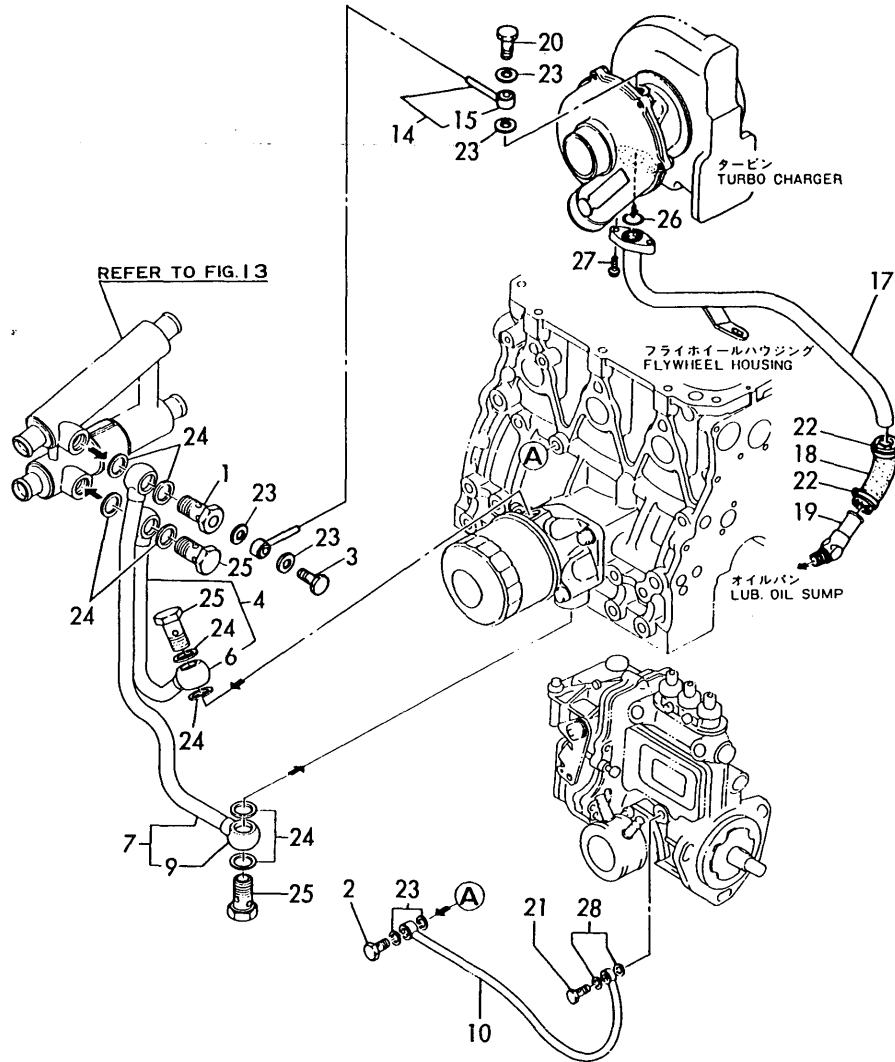
REF.	LEV.	PARTS NO.	DESCRIPTION	QTY						I	R
				(A)	(B)	(C)	(D)	(E)	(F)		
1	1	129470-33000	COOLER ASSY, LUB.OIL	1	1	1	1				
3	2	129470-33550	SEAT, RUBBER	1	1	1	1				
4	1	129470-33510	RETAINER	1	1	1	1				
5	1	26106-080162	BOLT M 8X 16 PLATED	2	2	2	2				



(A)=3JH2S-TBE (D)=3JH2G-TE
 (B)=3JH2G-TBE (E)=
 (C)=3JH2S-TE (F)=

Fig.14.LUB. OIL LINE

Fig. 14 LOパイプ
 LUB. OIL LINE

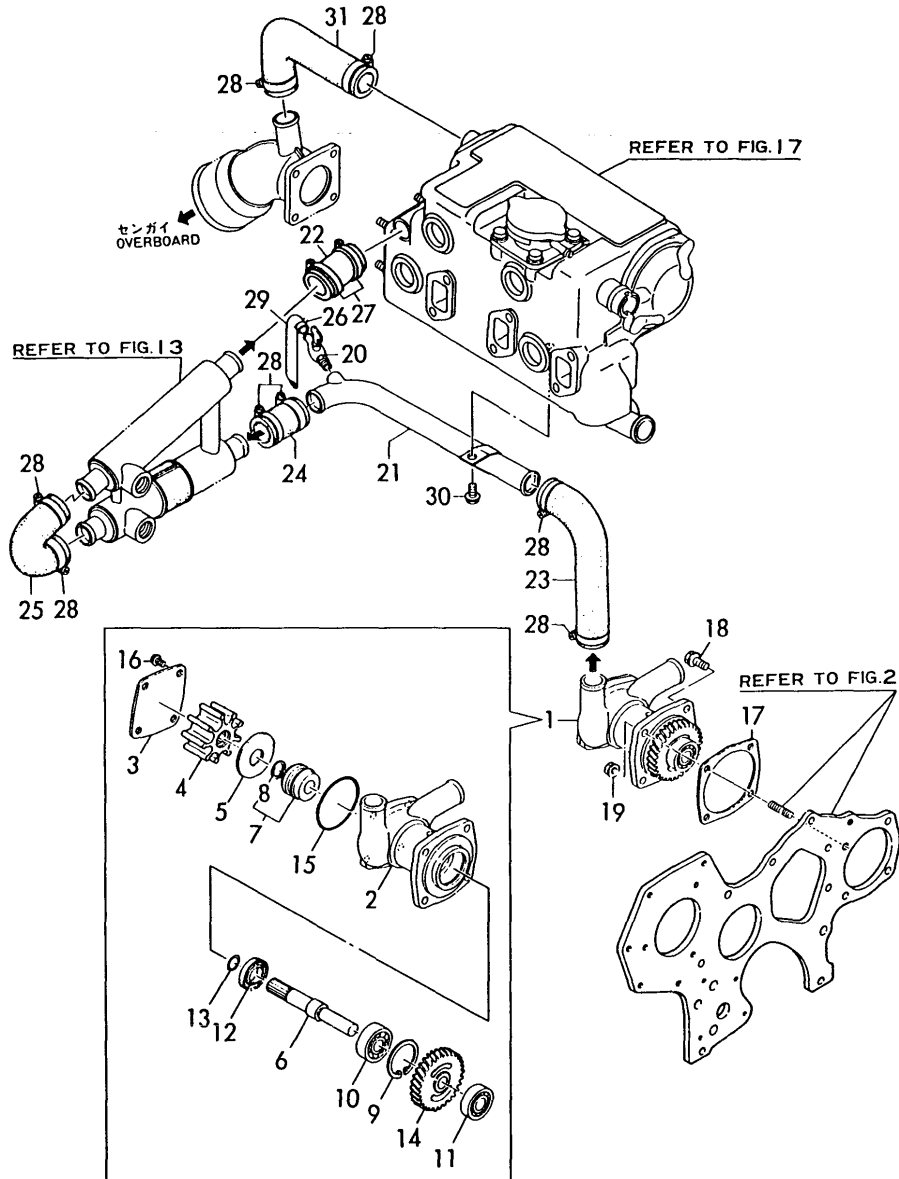


REF.	LEV.	PARTS NO.	DESCRIPTION	QTY						I	R
				(A)	(B)	(C)	(D)	(E)	(F)		
1	1	129472-39020	BOLT M20 X M10	1	1	1	1				
2	1	124160-39140	BOLT 10, PIPE JOINT	1	1	1	1				
3	1	121252-39150	BOLT, PIPE JOINT	1	1	1	1				
4	1	129470-39201	PIPE, LUB OIL	1	1	1	1				
6	2	23341-150000	PIPE JOINT 15	2	2	2	2				
7	1	129470-39300	PIPE, LUB OIL	1	1	1	1				
9	2	23341-150000	PIPE JOINT 15	2	2	2	2				
10	1	129150-39450	PIPE ASSY, LUB. OIL	1	1	1	1				
14	1	129472-39450	PIPE, LUB OIL	1	1	1	1				
15	2	129553-39190	JOINT 10	2	2	2	2				
17	1	129472-39600	PIPE, LUB OIL RETURN	1	1	1	1				
18	1	129792-39610	JOINT, RUBBER	1	1	1	1				
19	1	129472-39620	ELBOW	1	1	1	1				
20	1	124413-39710	BOLT M 10	1	1	1	1				
21	1	124550-59820	BOLT 8, PIPE JOINT	1	1	1	1				
22	1	23000-025000	CLAMP 25	2	2	2	2				
23	1	23414-100000	GASKET 10, ROUND	6	6	6	6				
24	1	23414-200000	GASKET 20, ROUND	8	8	8	8				
25	1	23857-150000	JOINT BOLT 15	3	3	3	3				
26	1	24314-000180	O-RING 4C P-18.0	1	1	1	1				
27	1	26106-060162	BOLT M 6X 16 PLATED	2	2	2	2				
28	1	43400-500410	SEAL WASHER 8	2	2	2	2				

(A)=3JH2S-TBE (D)=3JH2G-TE
 (B)=3JH2G-TBE (E)=
 (C)=3JH2S-TE (F)=

Fig.15.COOLING SEA WATER PUMP

Fig. 15 CWシステム(カイスイ)
 COOLING WATER SYSTEM(SEA)

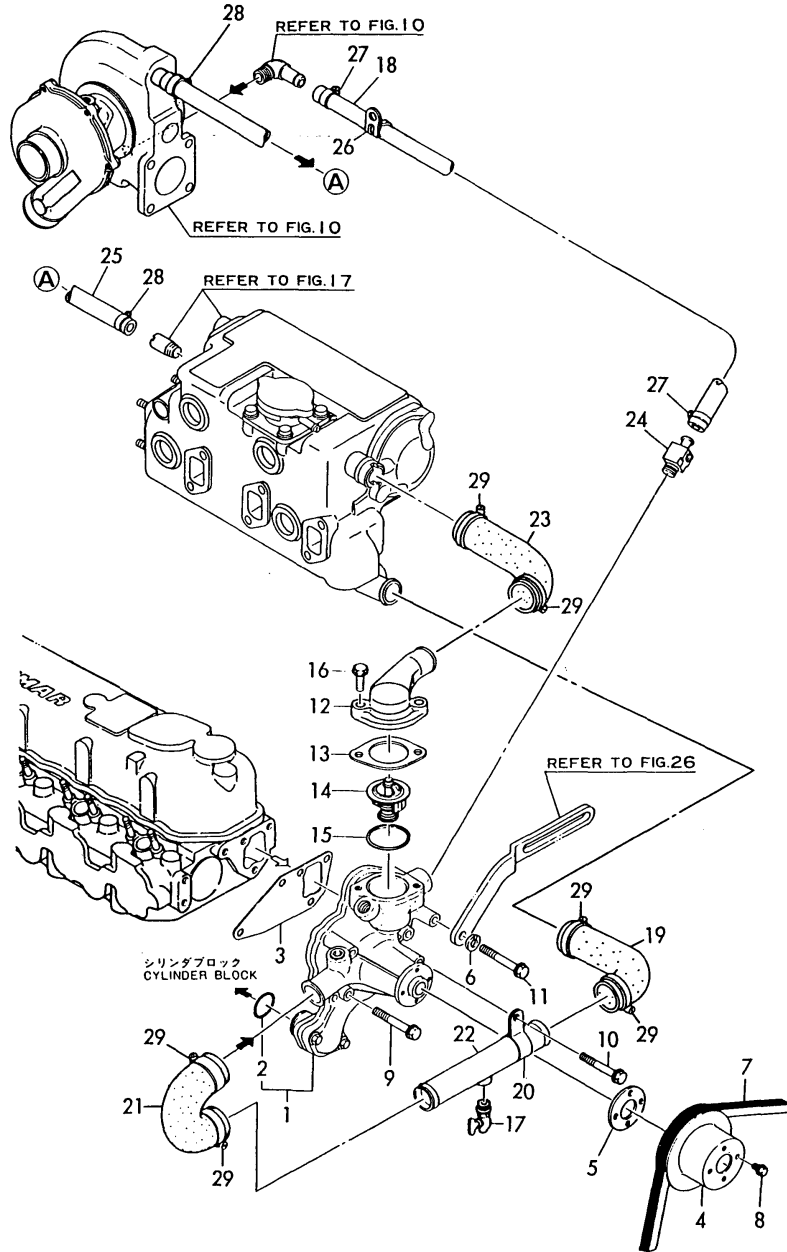


REF.	LEV.	PARTS NO.	DESCRIPTION	QTY						I	R
				(A)	(B)	(C)	(D)	(E)	(F)		
1	1	129573-42500	PUMP ASSY.	1	1	1	1				
2	2	129573-42510	BODY, PUMP	1	1	1	1				
3	2	129470-42520	COVER	1	1	1	1				
4	2	129470-42530	IMPELLER	1	1	1	1				
5	2	129573-42540	PLATE	1	1	1	1				
6	2	129470-42550	SHAFT	1	1	1	1				
7	2	129795-42670	SEAL	1	1	1	1				
8	3	145410-46190	CIRCLIP	1	1	1	1				
9	2	22252-000420	CIRCLIP 42	1	1	1	1				
10	2	24101-063024	BALL BEARING	1	1	1	1				
11	2	24101-062024	BALL BEARING	1	1	1	1				
12	2	24421-203508	SEAL TC20 35 08, OIL	1	1	1	1				
13	2	24311-000150	O-RING 1A P-15.0	1	1	1	1				
14	2	129470-42700	GEAR	1	1	1	1				
15	2	24341-000600	O-RING 1A S-60.0	1	1	1	1				
16	2	26203-060102	BOLT M 6X 10	4	4	4	4				
17	1	129150-01881	GASKET, (NON ASB.)	1	1	1	1				
18	1	26106-080162	BOLT M 8X 16 PLATED	3	3	3	3				
19	1	26366-080002	NUT M 8	1	1	1	1				
20	1	128695-44090	COCK PT1/8	1	1	1	1				
21	1	129170-49010	PIPE, C. SEA WATER	1	1	1	1				
22	1	129171-49030	PIPE (C), C. WATER	1	1	1	1				
23	1	129470-49040	PIPE (D), C. WATER	1	1	1	1				
24	1	129470-49110	JOINT 25X55	3	3	3	3				
25	1	129470-49240	JOINT 28	1	1	1	1				
26	1	124722-59050	CLAMP 9	1	1	1	1				
27	1	23000-035000	CLAMP 35	2	2	2	2				
28	1	23000-035000	CLAMP 35	8	8	8	8				
29	1	23061-070300	PIPE 7X 300	1	1	1	1				
30	1	26106-080162	BOLT M 8X 16 PLATED	1	1	1	1				
31	1	124411-49670	JOINT	1	1	1	1				

(A)=3JH2S-TBE (D)=3JH2G-TE
 (B)=3JH2G-TBE (E)=
 (C)=3JH2S-TE (F)=

Fig.16.COOLING FRESH WATER PUMP

Fig. 16 CWシステム (セイスイ)
 COOLING WATER SYSTEM (FRESH)

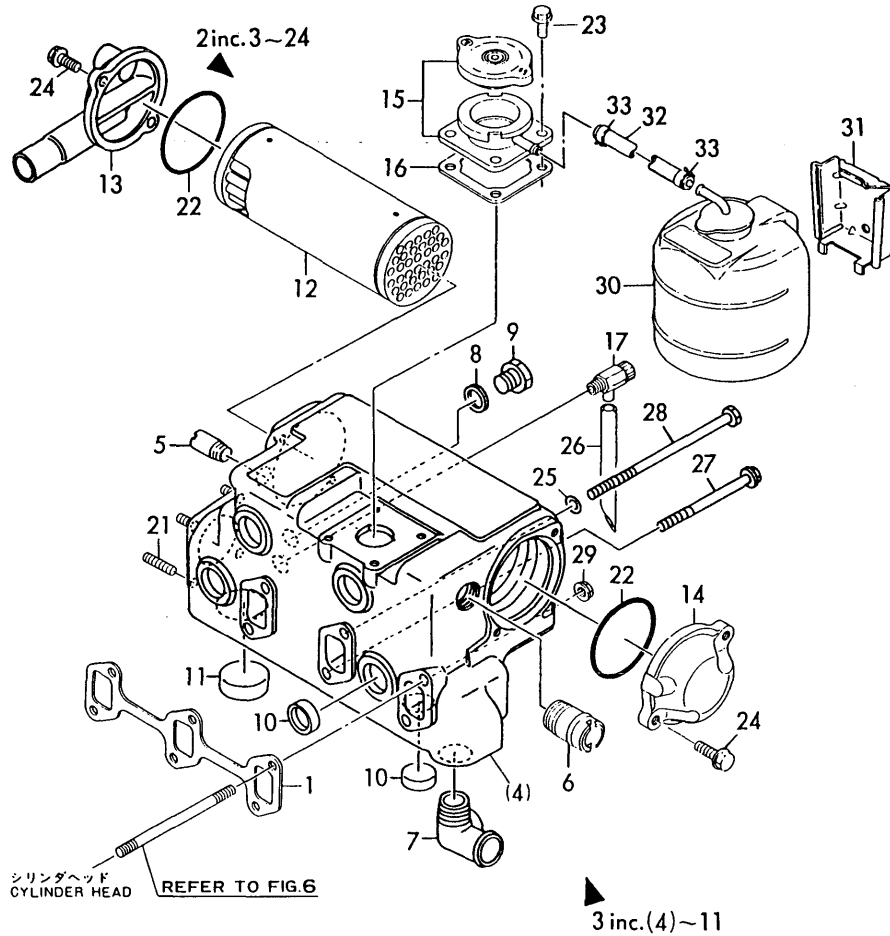


REF.	LEV.	PARTS NO.	DESCRIPTION	QTY						I	R
				(A)	(B)	(C)	(D)	(E)	(F)		
1	1	129470-42001	PUMP ASSY, C.F.WATER	1	1	1	1				
2	2	129150-42320	O-RING	1	1	1	1				
3	1	129150-42020	GASKET, C.W. PUMP	1	1	1	1				
4	1	129550-42350	V-PULLEY(D=120)	1	1	1	1				
5	1	129156-44760	WASHER	1	1	1	1				
6	1	22217-080000	SPRING WASHER 8	1	1	1	1				
7	1	25132-004500	V-BELT A:45 INCH	1	1	1	1				
8	1	26106-060102	BOLT M 6X 10 PLATED	4	4	4	4				
9	1	26106-080552	BOLT M 8X 55 PLATED	2	2	2	2				
10	1	26106-080552	BOLT M 8X 55 PLATED	1	1	1	1				
11	1	26106-080652	BOLT M 8X 65 PLATED	1	1	1	1				
12	1	129171-49540	COVER	1	1	1	1				
13	1	129470-49550	GASKET, (NON-ASB.)	1	1	1	1				
14	1	129470-49801	THERMOSTAT	1	1	1	1				
15	1	129470-49810	GASKET, (NON-ASB.)	1	1	1	1				
16	1	26106-080252	BOLT M 8X 25 PLATED	2	2	2	2				
17	1	128695-44090	COCK PT1/8	1	1	1	1				
18	1	129171-49560	PIPE	1	1	1	1				
19	1	129171-49200	JOINT	1	1	1	1				
20	1	129470-49220	RETAINER	1	1	1	1				
21	1	129470-49240	JOINT 28	1	1	1	1				
22	1	129470-49250	PIPE, C. FRESH WATER	1	1	1	1				
23	1	129170-49260	JOINT	1	1	1	1				
24	1	129473-49310	JOINT	1	1	1	1				
25	1	129171-49320	PIPE B	1	1	1	1				
26	1	194440-51620	CLAMP, WIRE HARNESS	1	1	1	1				
27	1	23000-013000	CLAMP 13	2	2	2	2				
28	1	23000-025000	CLAMP 25	2	2	2	2				
29	1	23000-041000	CLAMP 41	6	6	6	6				

Fig.17.COOLING FRESH WATER COOLER

(A)=3JH2S-TBE (D)=3JH2G-TE
 (B)=3JH2G-TBE (E)=
 (C)=3JH2S-TE (F)=

Fig. 17 セイスイクーラ
 COOLING FRESH WATER COOLER

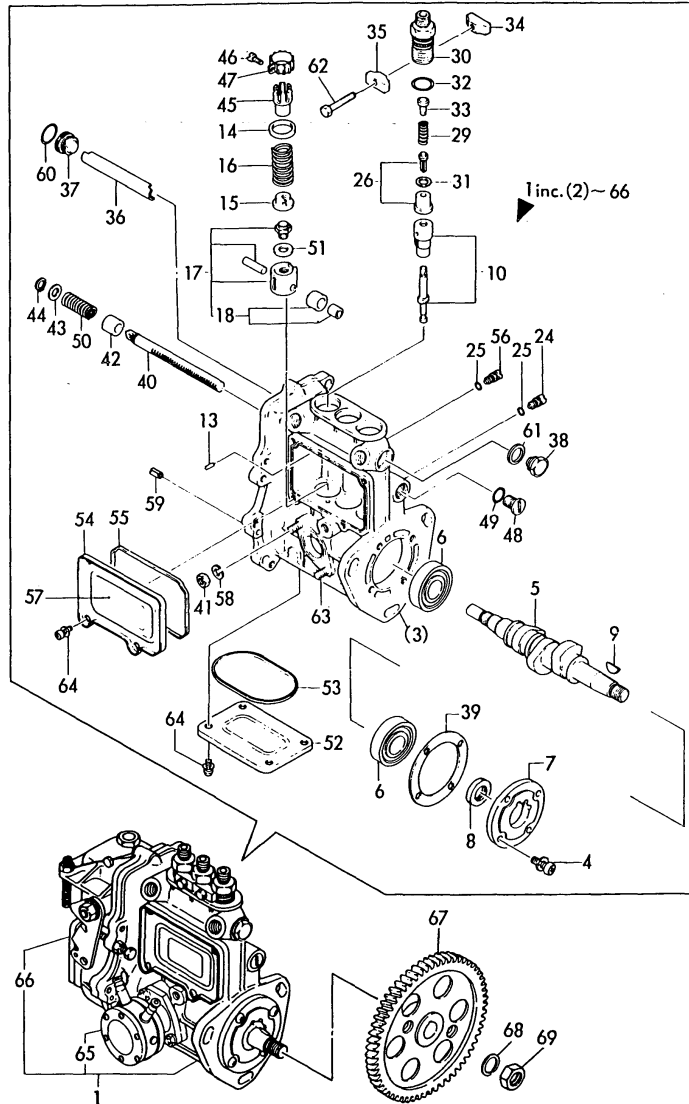


REF.	LEV.	PARTS NO.	DESCRIPTION	QTY						I	R
				(A)	(B)	(C)	(D)	(E)	(F)		
1	1	129150-13110	GASKET, EXH.MANIFOLD	1	1	1	1				
2	1	729171-44500	EXCHANGER ASSY, HEAT	1	1	1	1				
3	2	129171-44000	EXCHANGER ASSY, HEAT	1	1	1	1				
5	3	104407-44480	JOINT	1	1	1	1				
6	3	124160-49480	JOINT, PIPE	1	1	1	1				
7	3	129171-49480	JOINT	1	1	1	1				
8	3	23414-170000	GASKET 17, ROUND	1	1	1	1				
9	3	23894-030002	PLUG PF3/8	1	1	1	1				
10	3	27241-280000	PLUG 28	5	5	5	5				
11	3	27241-400000	PLUG 40	1	1	1	1				
12	2	129171-44110	CORE ASSY, COOLER	1	1	1	1				
13	2	129171-44440	COVER(A) SIDE	1	1	1	1				
14	2	129470-44450	COVER (B)	1	1	1	1				
15	2	129171-44600	FILLER ASSY	1	1	1	1				
16	2	120445-44640	GASKET	1	1	1	1				
17	2	120130-49350	COCK 1/4	1	1	1	1				
21	2	128170-13600	STUD	4	4	4	4				
22	2	24321-000750	O-RING 1A G-75.0	2	2	2	2				
23	2	26106-080162	BOLT M 8X 16 PLATED	4	4	4	4				
24	2	26106-080252	BOLT M 8X 25 PLATED	4	4	4	4				
25	1	22137-080000	WASHER 8, POLISHED	3	3	3	3				
26	1	23061-120300	PIPE 12X 300	1	1	1	1				
27	1	26106-081002	BOLT M 8X100 PLATED	1	1	1	1				
28	1	26116-081602	BOLT M 8X160 PLATED	3	3	3	3				
29	1	26366-080002	NUT M 8	2	2	2	2				
30	1	120445-44530	TANK ASSY, RESERVE	1	1	1	1				
31	1	120445-44540	BRACKET, SUB-TANK	1	1	1	1				
32	1	124790-44560	PIPE, C. WATER	1	1	1	1				
33	1	23010-013000	CLAMP 13	2	2	2	2				

(A)=3JH2S-TBE (D)=3JH2G-TE
 (B)=3JH2G-TBE (E)=
 (C)=3JH2S-TE (F)=

Fig.18.FUEL INJECTION PUMP(-T,HT,DT)E

Fig. 18 FOフンシャポンプ
 FUEL INJECTION PUMP



Remarks
 1) GOVERNOR ASSY(FIG.22) AND FUEL
 FEED PUMP ASSY(FIG.19) IS
 INCORPORATED IN THIS FOEL
 INJECTION PUMP ASSY(REF.NO.1)

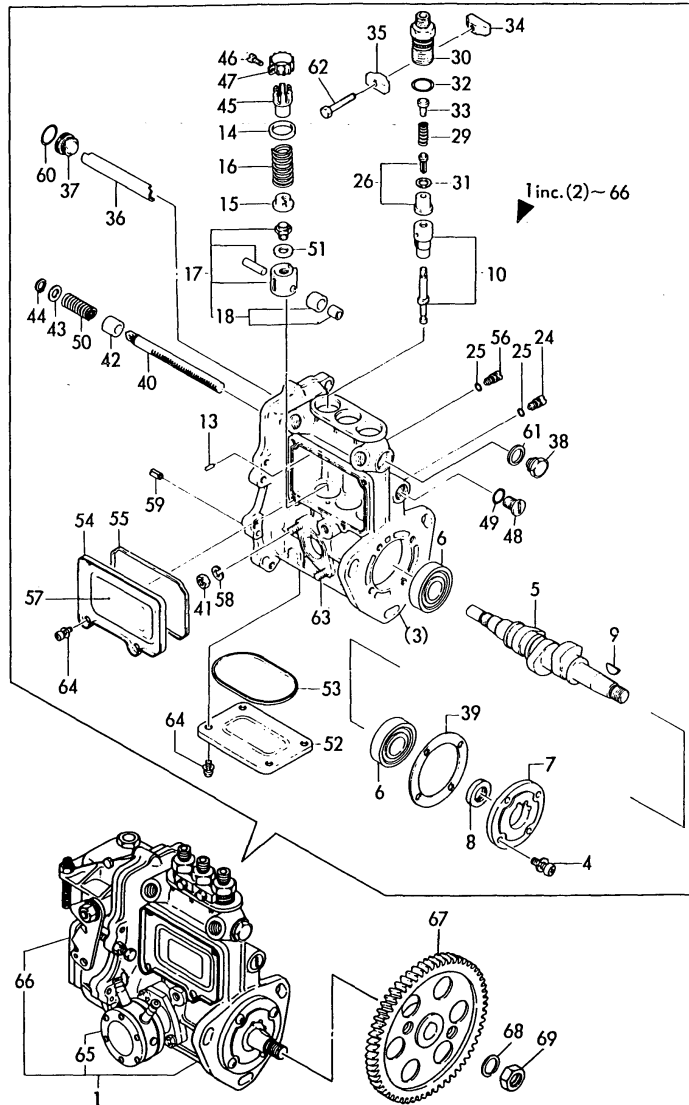
REF.	LEV.	PARTS NO.	DESCRIPTION	QTY						I	R
				(A)	(B)	(C)	(D)	(E)	(F)		
1	1	729171-51300	FUEL INJECTION PUMP	1	1	1	1				
4	3	26022-060162	SCREW M 6X 16	4	4	4	4				
5	3	129171-51040	CAMSHAFT	1	1	1	1				
6	3	122710-51050	BEARING, ROLLER	2	2	2	2				
7	3	129470-51060	RETAINER	1	1	1	1				
8	3	129470-51080	SEAL, OIL	1	1	1	1				
9	3	122710-51090	KEY	1	1	1	1				
10	3	129470-51101	PLUNGER W/BARREL	3	3	3	3				
13	3	129155-51140	PIN, BARREL LOCKING	3	3	3	3				
14	3	174307-51170	RETAINER A	3	3	3	3				
15	3	129155-51180	SPRING SHOE, PLUNGER	3	3	3	3				
16	3	124950-51190	SPRING, PLUNGER	3	3	3	3				
17	3	129155-51200	TAPPET ASSY	3	3	3	3				
18	4	711100-51540	ROLLER ASSY	3	3	3	3				
24	3	129155-51270	LOCKING, TAPPET	3	3	3	3				
25	3	129155-51280	O-RING S6	3	3	3	3				
26	3	129573-51300	VALVE W/SEAT, DELIV.	3	3	3	3				
29	3	129573-51330	SPRING, DELY. VALVE	3	3	3	3				
30	3	129573-51340	GUARD, DELY. VALVE	3	3	3	3				
31	3	124550-51350	GASKET, DELIVERY	3	3	3	3				
32	3	124550-51370	O-RING, DELIVERY	3	3	3	3				
33	3	129573-51370	STOPPER, VALVE	3	3	3	3				
34	3	129155-51380	LOCKING (A)	3	3	3	3				
35	3	129155-51390	LOCKING (B)	2	2	2	2				
36	3	129155-51400	DEFLECTOR	1	1	1	1				
37	3	129155-51410	CHECK BOLT,DEFLECTOR	1	1	1	1				
38	3	129155-51420	PLUG (M16)	1	1	1	1				
39	3	129155-51450	SHIM SET, ADJUSTING	1	1	1	1				
40	3	129155-51500	RACK, CONTROL	1	1	1	1				
41	3	26716-060002	NUT 6	2	2	2	2				
42	3	129155-51521	BUSH, RACK	1	1	1	1				
43	3	129155-51530	SPACER, AUX. SPRING	1	1	1	1				
44	3	129155-51540	CIRCLIP	1	1	1	1				
45	3	129155-51550	PINION, CONTROL	3	3	3	3				
46	3	122117-51560	SCREW, PINION	3	3	3	3				
47	3	174307-51560	PINION	3	3	3	3				
48	3	129155-51570	PLUG (M12)	1	1	1	1				
49	3	129155-51580	O-RING	1	1	1	1				
50	3	129155-51591	SPRING, RACK	1	1	1	1				
51	3	129155-51600	SHIM PACK	3	3	3	3				
52	3	129155-51700	COVER, LOWER	1	1	1	1				
53	3	129155-51710	GASKET, LOWER COVER	1	1	1	1				
54	3	129155-51750	COVER, SIDE	1	1	1	1				
55	3	129155-51760	GASKET, SIDE COVER	1	1	1	1				
56	3	129155-51790	LOCKING, RACK	1	1	1	1				
57	3	129156-51910	LABEL, CAUTION	1	1	1	1				
58	3	22217-060000	SPRING WASHER 6	2	2	2	2				
59	3	22351-050010	SPRING PIN 5X10	2	2	2	2				
60	3	24341-000160	O-RING 1A S-16.0	1	1	1	1				
61	3	43400-500490	SEAL WASHER 16	1	1	1	1				
62	3	26116-050302	BOLT M 5X 30 PLATED	2	2	2	2				
63	3	129155-51020	STUD, FEED PUMP	2	2	2	2				
64	3	26022-050102	SCREW M 5X 10	8	8	8	8				
65	2	*REF. 19	FUEL FEED PUMP	1	1	1	1				

++ CONTINUE ++

(A)=3JH2S-TBE (D)=3JH2G-TE
 (B)=3JH2G-TBE (E)=
 (C)=3JH2S-TE (F)=

Fig.18.FUEL INJECTION PUMP(-T,HT,DT)E

Fig. 18 FOフンシャポンプ
 FUEL INJECTION PUMP



REF.	LEV.	PARTS NO.	DESCRIPTION	QTY						I	R
				(A)	(B)	(C)	(D)	(E)	(F)		
66	2	*REF. 22	GOVERNOR	1	1	1	1				
67	1	129573-25900	GEAR	1	1	1	1				
68	1	22217-120000	SPRING WASHER	1	1	1	1				
69	1	26716-120002	NUT 12	1	1	1	1				

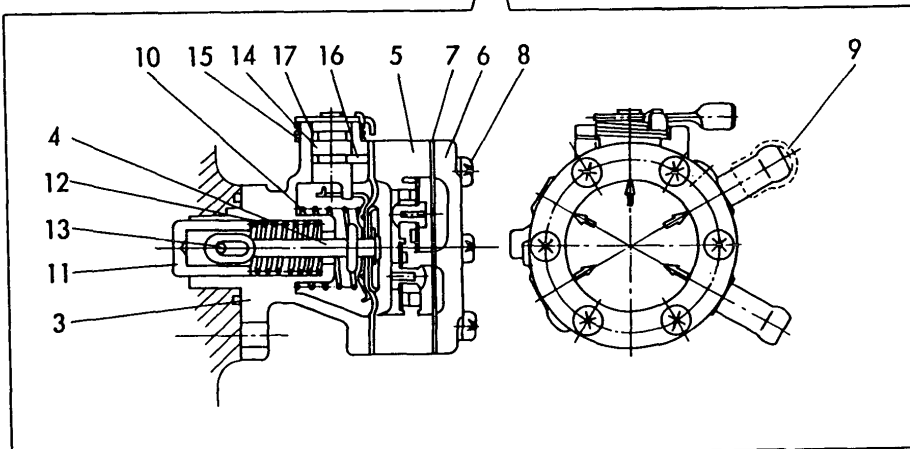
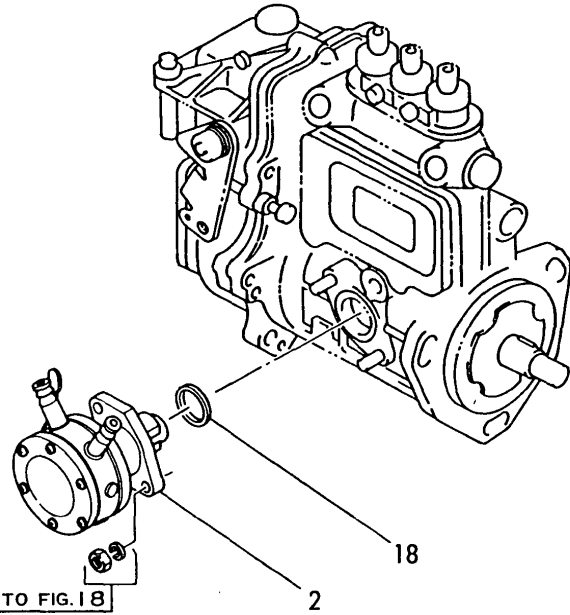
Remarks

1) GOVERNOR ASSY(FIG.22) AND FUEL
 FEED PUMP ASSY(FIG.19) IS
 INCORPORATED IN THIS FOEL
 INJECTION PUMP ASSY(REF.NO.1)

(A)=3JH2S-TBE (D)=3JH2G-TE
 (B)=3JH2G-TBE (E)=
 (C)=3JH2S-TE (F)=

Fig.19.FUEL FEED PUMP

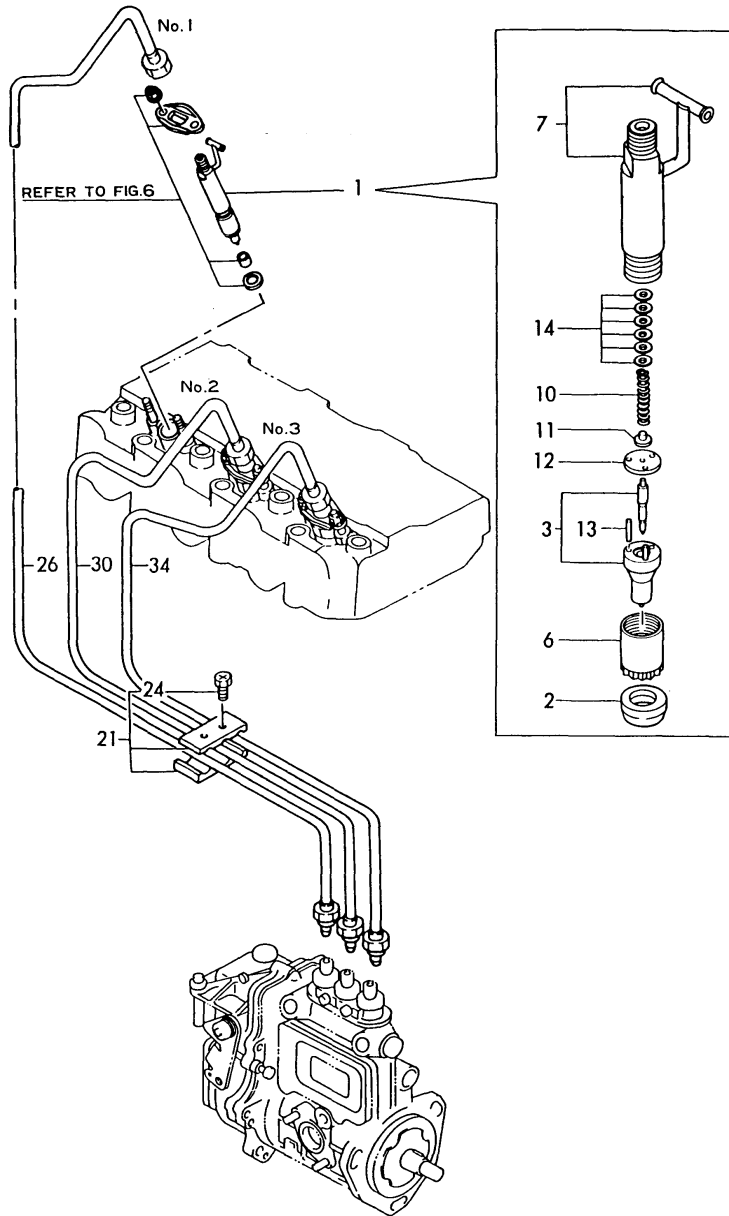
Fig. **19** FOフィードポンプ
 FUEL FEED PUMP



REF.	LEV.	PARTS NO.	DESCRIPTION	QTY						I	R
				(A)	(B)	(C)	(D)	(E)	(F)		
2	2	129158-52100	FEED PUMP ASSY	1	1	1	1				
3	3	129158-52010	BODY	1	1	1	1				
4	3	129158-52020	DIAPHRAGM	1	1	1	1				
5	3	129158-52050	BODY	1	1	1	1				
6	3	129158-52060	COVER	1	1	1	1				
7	3	129158-52070	GASKET	1	1	1	1				
8	3	129158-52080	SCREW, CROSS	6	6	6	6				
9	3	129158-52090	CAP	2	2	2	2				
10	3	129158-52160	SPRING	1	1	1	1				
11	3	129158-52250	TAPPET	1	1	1	1				
12	3	129158-52260	SPRING	1	1	1	1				
13	3	129158-52270	PIN, TAPPET	1	1	1	1				
14	3	129158-52350	LEVER, PRIMING	1	1	1	1				
15	3	129158-52360	SPRING, RETURN	1	1	1	1				
16	3	129158-52370	PIN, PRIMING LEVER	1	1	1	1				
17	3	129158-52380	O-RING, PRIMING LEVER	1	1	1	1				
18	2	129155-52050	GASKET	1	1	1	1				

Fig.20.FUEL INJECTION VALVE

Fig. 20 FOフンシャパイプ
FUEL INJECTION LINE



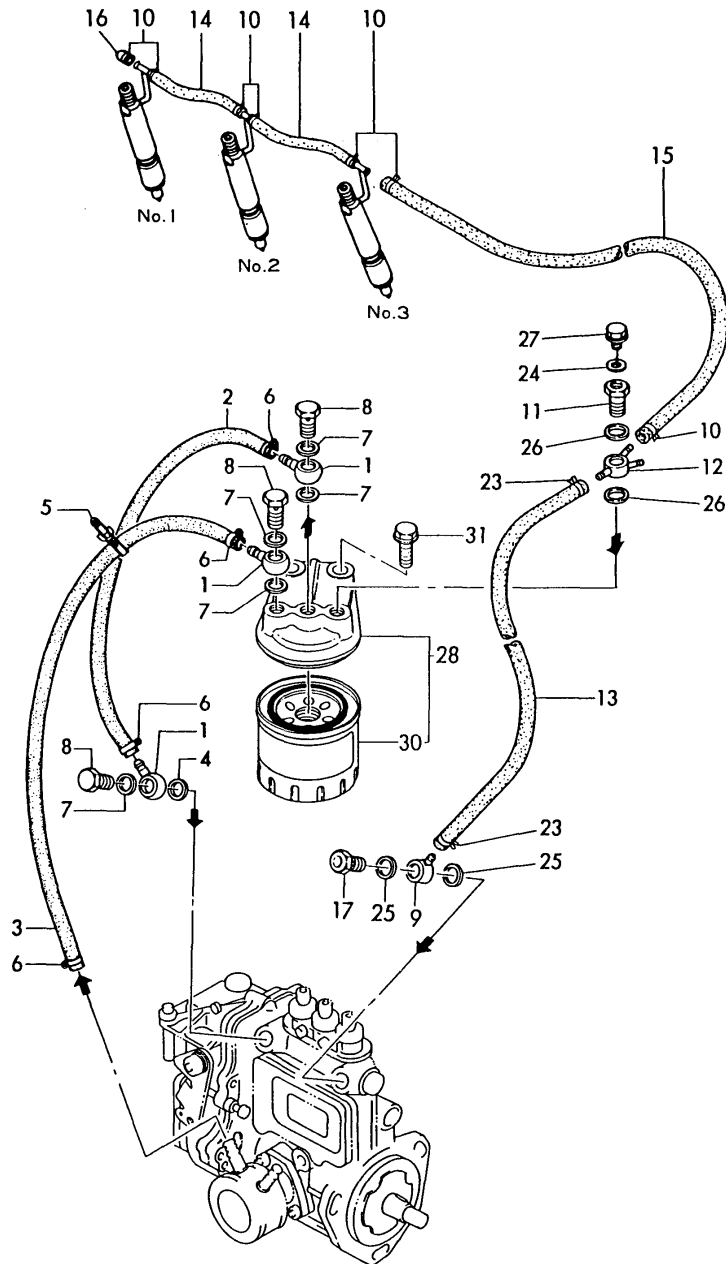
(A)=3JH2S-TBE (D)=3JH2G-TE
(B)=3JH2G-TBE (E)=
(C)=3JH2S-TE (F)=

REF.	LEV.	PARTS NO.	DESCRIPTION	QTY						I	R
				(A)	(B)	(C)	(D)	(E)	(F)		
1	1	729595-53100	VALVE ASSY. F.INJECT	3	3	3	3				
I	1-1	729171-53200	VALVE ASSY,F INJECT	3	3	3	3				S
		(A=E10844) (B=E10886) (C=E10883) (D=E10871)									
2	2	129470-11920	GASKET	3	3	3	3				
3	2	129595-53000	NOZZLE ASSY.F.INJECT	3	3	3	3				
I	3-1	129171-53000	NOZZLE ASSY,F INJECT	3	3	3	3				S
		(A=E10844) (B=E10886) (C=E10883) (D=E10871)									
6	2	114250-53080	NUT, NOZZLE CASE	3	3	3	3				
7	2	129100-53100	HOLDER ASSY. NOZZLE	3	3	3	3				
10	2	114250-53120	SPRING, NOZZLE	3	3	3	3				
11	2	114250-53130	SEAT, NOZZLE SPRING	3	3	3	3				
12	2	114250-53140	PLATE, STOP	3	3	3	3				
13	2	114250-53210	PIN	6	6	6	6				
14	2	114250-53400	SHIM PACK	3	3	3	3				
21	1	129150-59120	RETAINER, INJ. PIPE	1	1	1	1				
24	2	129150-59130	BOLT M 4X 12	2	2	2	2				
26	2	129100-59810	PIPE, FUEL INJECTION	1	1	1	1				
30	2	129100-59820	PIPE, FUEL INJECTION	1	1	1	1				
34	2	129100-59830	PIPE, FUEL INJECTION	1	1	1	1				

(A)=3JH2S-TBE (D)=3JH2G-TE
 (B)=3JH2G-TBE (E)=
 (C)=3JH2S-TE (F)=

Fig.21.FUEL LINE

Fig. **21** FOパイプ
 FUEL LINE

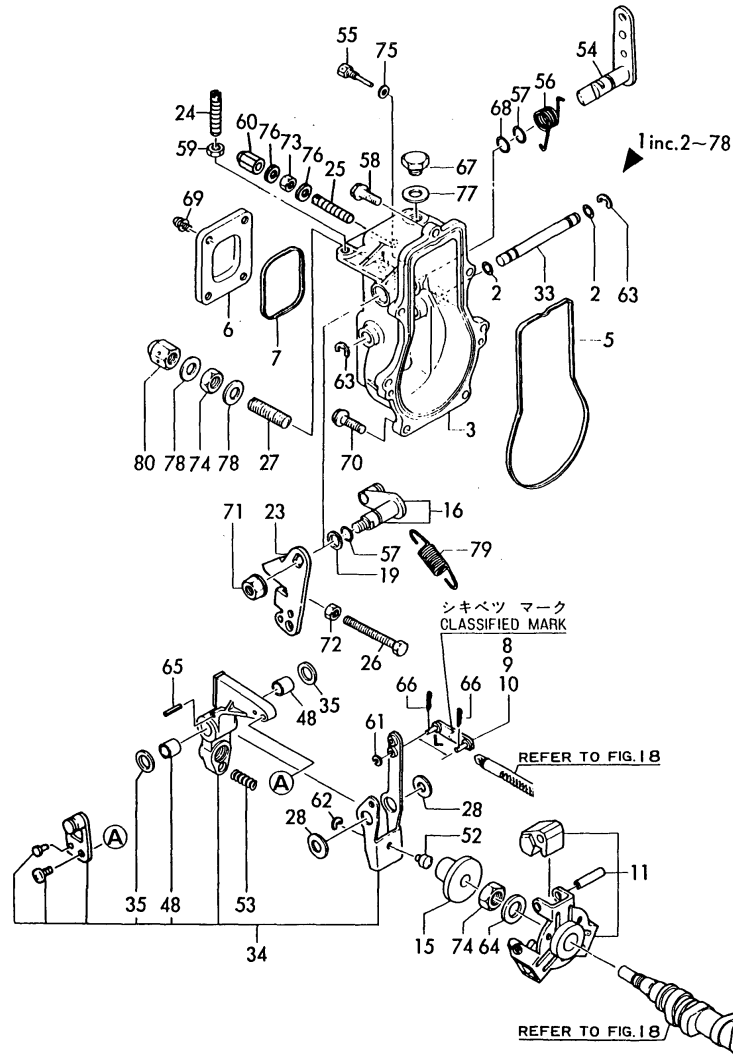


REF.	LEV.	PARTS NO.	DESCRIPTION	QTY						I	R
				(A)	(B)	(C)	(D)	(E)	(F)		
1	1	101304-59020	JOINT 12, PIPE	3	3	3	3				
2	1	129470-59120	PIPE, FUEL	1	1	1	1				
3	1	129470-59120	PIPE, FUEL	1	1	1	1				
4	1	104200-59170	GASKET 12	1	1	1	1				
5	1	121750-59890	RETAINER	1	1	1	1				
6	1	23080-013000	CLAMP 13,HOSE	4	4	4	4				
7	1	23414-120000	GASKET 12, ROUND	5	5	5	5				
8	1	23857-060000	JOINT BOLT 6	3	3	3	3				
9	1	101304-59020	JOINT 12, PIPE	1	1	1	1				
10	1	124066-59100	CLAMP 8	7	7	7	7				
11	1	129495-59300	BOLT, PIPE JOINT	1	1	1	1				
12	1	129470-59530	JOINT,FUEL RETN.PIPE	1	1	1	1				
13	1	129470-59540	PIPE, FUEL OIL	1	1	1	1				
14	1	119000-59550	PIPE, FUEL RETURN	2	2	2	2				
15	1	129470-59560	PIPE, FUEL RETURN	1	1	1	1				
16	1	129150-59580	CAP	1	1	1	1				
17	1	129100-59951	VALVE ASSY, CHECK	1	1	1	1				
23	1	23080-013000	CLAMP 13,HOSE	2	2	2	2				
24	1	23414-080000	GASKET 8, ROUND	1	1	1	1				
25	1	23414-120000	GASKET 12, ROUND	2	2	2	2				
26	1	23414-140000	GASKET 14, ROUND	2	2	2	2				
27	1	26106-080102	BOLT M 8X 10 PLATED	1	1	1	1				
28	1	129470-55601	STRAINER ASSY, FUEL	1	1	1	1				
30	2	129470-55701	STRAINER ASSY, FUEL	1	1	1	1				
31	1	26106-100302	BOLT M10X 30 PLATED	2	2	2	2				

(A)=3JH2S-TBE (D)=3JH2G-TE
 (B)=3JH2G-TBE (E)=
 (C)=3JH2S-TE (F)=

Fig.22.GOVERNOR (4JH2-T,HT,DT(B)E

Fig. **22** ガバナ GOVERNOR



REF.	LEV.	PARTS NO.	DESCRIPTION	QTY						I	R
				(A)	(B)	(C)	(D)	(E)	(F)		
1	1	129171-61000	GOVERNOR	1	1	1	1				
2	2	129155-51280	O-RING S6	2	2	2	2				
3	2	171487-61010	CASE, GOVERNOR	1	1	1	1				
5	2	129155-61050	GASKET, GOV. CASE	1	1	1	1				
6	2	129155-61060	COVER, GOVERNOR CASE	1	1	1	1				
7	2	129155-61070	GASKET, CASE COVER	1	1	1	1				
8	2	129155-61120	LINK L=30(MARK 0)	1	1	1	1				1
9	2	129155-61130	LINK L=31(MARK 1)	1	1	1	1				1
10	2	129155-61140	LINK L=30.5(MARK 05)	1	1	1	1				1
11	2	129155-61201	WEIGHT ASSY, GOV.	1	1	1	1				
15	2	129155-61341	SLEEVE	1	1	1	1				
16	2	129100-61400	SHAFT ASSY, CONTROL	1	1	1	1				
19	2	129155-61430	SPACER, SHAFT	1	1	1	1				
23	2	129499-61440	THROTTLE LEVER	1	1	1	1				
24	2	129155-61450	BOLT, REVOL. LIMIT	1	1	1	1				
25	2	129155-61450	BOLT, REVOL. LIMIT	1	1	1	1				
26	2	129155-61460	BOLT, IDLE LIMIT	1	1	1	1				
27	2	129155-61470	BOLT, FUEL CONTROL	1	1	1	1				
28	2	129155-61480	SPACER ASSY	2	2	2	2				
33	2	129155-61490	SHAFT, GOV. LEVER	1	1	1	1				
34	2	129500-61500	LEVER ASSY, GOVERNOR	1	1	1	1				
35	3	174307-51700	SHIM SET	2	2	2	2				
48	3	129155-61530	BUSH	2	2	2	2				
52	2	129155-61540	SHIFTER	1	1	1	1				
53	2	129470-61650	SPRING, FUEL CONTROL	1	1	1	1				
54	2	129473-61801	LEVER, STOP	1	1	1	1				
55	2	129155-61810	PIN, STOP LEVER	1	1	1	1				
56	2	129100-61821	SPRING, RETURN	1	1	1	1				
57	2	129155-61830	O-RING S10	1	1	1	1				
58	2	129155-61950	BOLT, WASHER BASED	1	1	1	1				
59	2	124550-66370	LOCK NUT M 6	1	1	1	1				
60	2	119600-66840	NUT, CAP	1	1	1	1				
61	2	22117-040000	WASHER 4	1	1	1	1				
62	2	22272-000040	CIRCLIP E- 4	1	1	1	1				
63	2	22272-000060	CIRCLIP E- 6	2	2	2	2				
64	2	22287-120000	WASHER 12	1	1	1	1				
65	2	22351-030016	SPRING PIN 3X16	1	1	1	1				
66	2	22360-040000	SNAP PIN 4	2	2	2	2				
67	2	23887-100002	PLUG 10	1	1	1	1				
68	2	24311-240100	O-RING 1A P-10A	1	1	1	1				
69	2	26022-050102	SCREW M 5X 10	4	4	4	4				
70	2	26106-060202	BOLT M 6X 20 PLATED	6	6	6	6				
71	2	26366-080002	NUT M 8	1	1	1	1				
72	2	26756-060002	LOCK NUT 6	1	1	1	1				
73	2	26756-060002	LOCK NUT 6	1	1	1	1				
74	2	26776-120002	LOCK NUT M12 PLATED	2	2	2	2				
75	2	43400-500390	SEAL WASHER 6S	1	1	1	1				
76	2	43400-500400	SEAL WASHER 6	2	2	2	2				
77	2	43400-500430	SEAL WASHER 10	1	1	1	1				
78	2	43400-500450	SEAL WASHER 12S	2	2	2	2				
79	1	129100-61730	SPRING	1	1	1	1				
80	1	129100-61930	NUT, CAP	1	1	1	1				

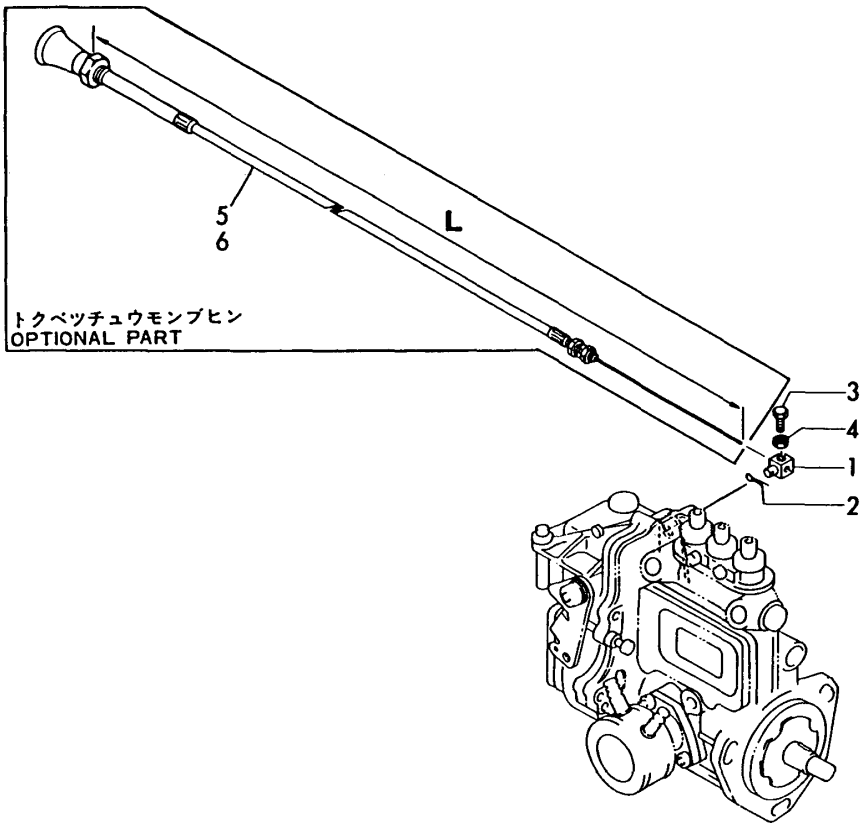
Remarks
 1) SELECTIVE PART; CERTAIN THE CLASSIFICATION MARK WHEN PLACE YOUR ORDER. (REFER TO THE ILLUSTRATION)

Fig.23.ENGINE STOP DEVICE

(A)=3JH2S-TBE (D)=3JH2G-TE
(B)=3JH2G-TBE (E)=
(C)=3JH2S-TE (F)=

Fig. 23 キカンテイシソウチ ENGINE STOP DEVICE

REF.	LEV.	PARTS NO.	DESCRIPTION	----- Q'TY -----						I	R
				(A)	(B)	(C)	(D)	(E)	(F)		
1	1	129590-67310	CLAMP	1	1	1	1				
2	1	22414-250150	COTTER PIN 2.5X15	1	1	1	1				
3	1	26116-050142	BOLT M 5X 14 PLATED	1	1	1	1				
4	1	26756-050002	LOCK NUT M 5 PLATED	1	1	1	1				
5	1	129470-67550	CABLE (L=4000), STOP	1	1	1	1				1
6	1	129470-67560	CABLE L=7000	1	1	1	1				1

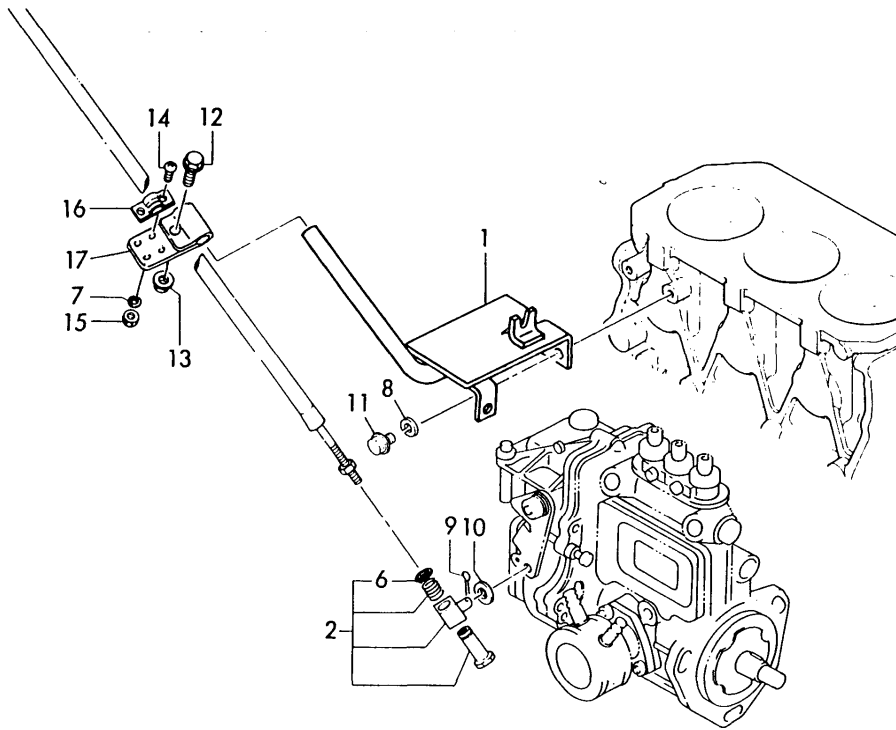


Remarks
1) OPTIONAL PARTS

Fig.24.SPEED CONTROL DEVICE

(A)=3JH2S-TBE (D)=3JH2G-TE
 (B)=3JH2G-TBE (E)=
 (C)=3JH2S-TE (F)=

Fig. **24** ケーブルシジダイ
 CABLE SUPPORT

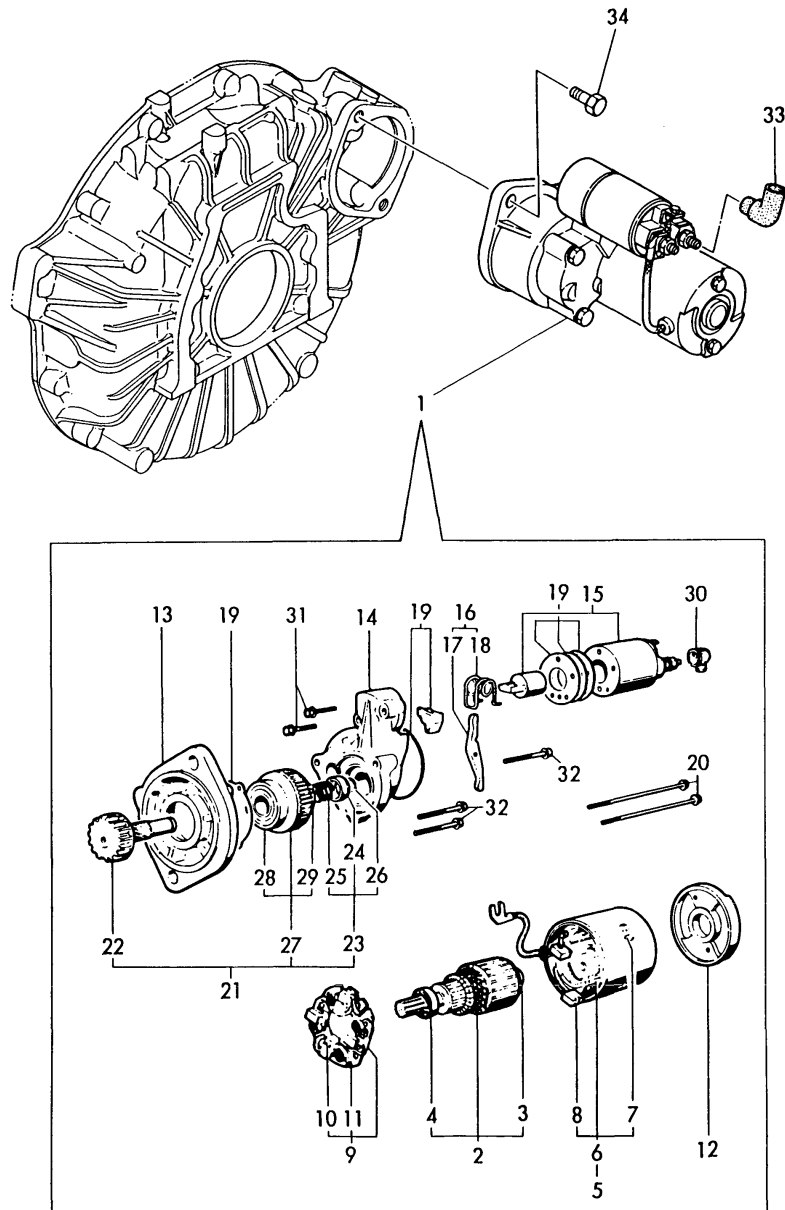


REF.	LEV.	PARTS NO.	DESCRIPTION	QTY						I	R
				(A)	(B)	(C)	(D)	(E)	(F)		
1	1	129171-67100	BRACKET	1	1	1	1				
2	1	129470-67200	RETAINER, JOINT	1	1	1	1				
6	2	22242-000100	CIRCLIP 10	1	1	1	1				
7	1	22217-050000	SPRING WASHER 5	2	2	2	2				
8	1	22217-080000	SPRING WASHER 8	2	2	2	2				
9	1	22414-250150	COTTER PIN 2.5X15	1	1	1	1				
10	1	23414-080000	GASKET 8, ROUND	1	1	1	1				
11	1	26106-080122	BOLT M 8X 12 PLATED	2	2	2	2				
12	1	26106-080252	BOLT M 8X 25 PLATED	1	1	1	1				
13	1	26366-080002	NUT M 8	1	1	1	1				
14	1	26557-050122	SCREW M 5X 12	2	2	2	2				
15	1	26716-050002	NUT M 5	2	2	2	2				
16	1	41710-000410	CLAMP	1	1	1	1				
17	1	41701-001720	BRACKET	1	1	1	1				

Fig.25.STARTING MOTOR

(A)=3JH2S-TBE (D)=3JH2G-TE
 (B)=3JH2G-TBE (E)=
 (C)=3JH2S-TE (F)=

Fig. **25** スターティングモータ
 STARTING MOTOR

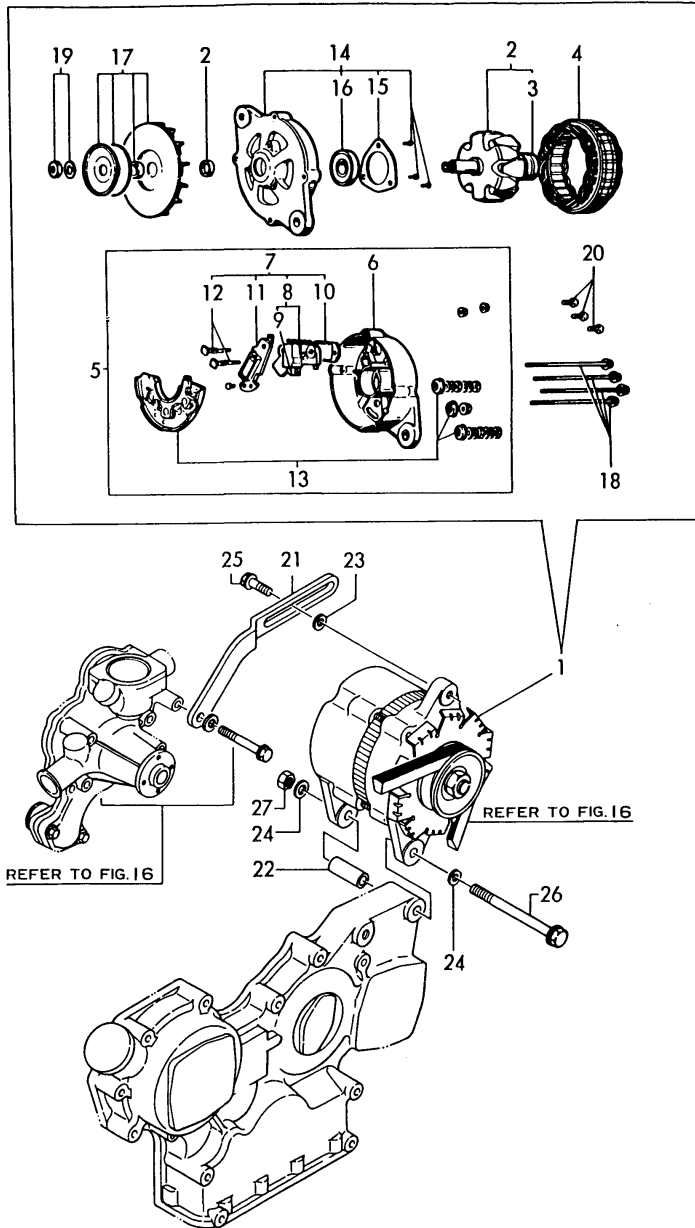


REF.	LEV.	PARTS NO.	DESCRIPTION	QTY						I	R
				(A)	(B)	(C)	(D)	(E)	(F)		
1	1	171008-77010	STARTER	1	1	1	1				
2	2	171008-77400	ARMATURE ASSY	1	1	1	1				
3	3	171008-77410	BEARING(1)	1	1	1	1				
4	3	171008-77420	BEARING(2)	1	1	1	1				
5	2	171008-77430	YOKE ASSY	1	1	1	1				
6	3	171008-77440	COIL ASSY, FIELD	1	1	1	1				
7	4	171008-77450	SCREW, POLE CORE SET	4	4	4	4				
8	4	171008-77460	BRUSH (+)	2	2	2	2				
9	2	171008-77470	HOLDER ASSY, BRUSH	1	1	1	1				
10	3	171008-77480	BRUSH (-)	2	2	2	2				
11	3	171008-77490	SPRING, BRUSH	4	4	4	4				
12	2	171008-77500	COVER, REAR	1	1	1	1				
13	2	171008-77510	HOUSING ASSY, GEAR	1	1	1	1				
14	2	171008-77520	HOUSING, CENTER	1	1	1	1				
15	2	171008-77530	SWITCH, MAGNETIC	1	1	1	1				
16	2	171008-77540	LEVER SET, SHIFT	1	1	1	1				
17	3	171008-77550	LEVER, SHIFT	1	1	1	1				
18	3	171008-77560	SPRING	1	1	1	1				
19	2	171008-77571	DUST COVER,(NON-ASB.	1	1	1	1				
20	2	171008-77640	BOLT, THROUGH	2	2	2	2				
21	2	171008-77650	PINION ASSY	1	1	1	1				
22	3	171008-77660	SHAFT, PINION	1	1	1	1				
23	3	171008-77670	STOPPER SET, PINION	1	1	1	1				
24	4	171008-77680	STOPPER	1	1	1	1				
25	4	171008-77690	SPRING,SHAFT RETURN	1	1	1	1				
26	4	171008-77700	CLIP	1	1	1	1				
27	3	171008-77720	CLUTCH ASSY	1	1	1	1				
28	4	171008-77730	BALL BEARING (3)	1	1	1	1				
29	4	171008-77740	BALL BEARING (4)	1	1	1	1				
30	2	171008-77750	COVER, M TERMINAL	1	1	1	1				
31	2	26106-060322	BOLT M 6X 32 PLATED	2	2	2	2				
32	2	26106-060402	BOLT M 6X 40 PLATED	3	3	3	3				
33	1	124550-77030	COVER, TERMINAL	1	1	1	1				
34	1	26116-120302	BOLT M12X 30 PLATED	2	2	2	2				

(A)=3JH2S-TBE (D)=3JH2G-TE
 (B)=3JH2G-TBE (E)=
 (C)=3JH2S-TE (F)=

Fig.26.GENERATOR

Fig. 26 ジェネレータ GENERATOR



REF.	LEV.	PARTS NO.	DESCRIPTION	QTY						I	R
				(A)	(B)	(C)	(D)	(E)	(F)		
1	1	129772-77200	GENERATOR(12V-55A)	1	1	1	1				
2	2	XL15571001	ROTOR ASSY	1	1	1	1				
3	3	X6201SD	BALL BEARING	1	1	1	1				
4	2	XL15542001	STATOR ASSY	1	1	1	1				
5	2	XL15553002	COVER ASSY, REAR	1	1	1	1				
6	3	XL22553012	COVER, REAR	1	1	1	1				
7	3	XL1556315	REGULATOR ASSY,BRUSH	1	1	1	1				
8	4	XL2255330	BRUSH ASSY	1	1	1	1				1
9	4	XL12013262	BRUSH	2	2	2	2				
10	4	XTR1Z63	REGULATOR	1	1	1	1				
11	4	XL2251318	CONDENCER ASSY	1	1	1	1				
12	4	XL13513134	BOLT M5	2	2	2	2				
13	3	XL2253320	DIODE ASSY	1	1	1	1				
14	2	XL2253400	FRONT COVER ASSY	1	1	1	1				
15	3	XL15014042	BEARING RETAINER	1	1	1	1				
16	3	X6203BM	BALL BEARING	1	1	1	1				
17	2	XL22555001	PULLEY ASSY	1	1	1	1				
18	2	XL15018015	BOLT, THROUGH	4	4	4	4				
19	2	XL1501810	NUT ASSY, PULLEY	1	1	1	1				
20	2	XL15028001	SCREW ASSY	1	1	1	1				
21	1	129470-77330	ADJUSTER, BELT	1	1	1	1				
22	1	129470-77340	SPACER	1	1	1	1				
23	1	22137-080000	WASHER 8, POLISHED	1	1	1	1				
24	1	22137-100000	WASHER 10,POLISHED	1	1	1	1				
25	1	26106-080252	BOLT M 8X 25 PLATED	1	1	1	1				
26	1	26116-101202	BOLT M10X120 PLATED	1	1	1	1				
27	1	26716-100002	NUT 10	1	1	1	1				

Fig.27.CLUTCH

(A)=3JH2S-TBE (D)=3JH2G-TE
 (B)=3JH2G-TBE (E)=
 (C)=3JH2S-TE (F)=

REF.	LEV.	PARTS NO.	DESCRIPTION	QTY						I	R
				(A)	(B)	(C)	(D)	(E)	(F)		
1	1	129171-81020	CLUTCH ASSY(I=2.64)	1	1		1				
2	1	177099-03500	DISK, (NON-ASB.)	1	1	1	1				
3	1	128670-81010	CLUTCH ASSY (I=2.14)	1		1	1				
4	1	26013-080142	BOLT M 8X 14	6	6	6	6				
5	1	26106-080252	BOLT M 8X 25 PLATED	6	6	6	6				
6	1	26226-080222	STUD M 8X 22 PLATED	2	2	2	2				
7	1	26366-080002	NUT M 8	2	2	2	2				
8	1	128670-81020	CLUTCH ASSY (I=2.83)		1	1	1				
9	1	129171-81010	CLUTCH ASSY(I=2.33)	1	1	1					
10	1	177070-03520	DISC, DAMPER	1	1						
11	1	177073-03191	FAN	1	1						
12	1	22217-080000	SPRING WASHER 8	6	6						
13	1	26106-080162	BOLT M 8X 16 PLATED	6	6						
14	1	129171-86300	BRACKET			1	1				1
15	1	22217-050000	SPRING WASHER 5			2	2				1
16	1	26106-100162	BOLT M10X 16 PLATED			2	2				1
17	1	26557-050122	SCREW M 5X 12			2	2				1
18	1	26716-050002	NUT M 5			2	2				1
19	1	41710-000410	CLAMP			1	1				1
20	1	41710-001300	JOINT			1	1				1
21	1	26106-100322	BOLT M10X 32 PLATED	4		4					1
22	1	26706-100002	NUT M10	4		4					1
23	1	26756-080002	LOCK NUT M 8 PLATED	1		1					1
24	1	48110-032411	SCREW	1		1					1
25	1	48110-032502	COUPLING	1		1					1

Remarks
 1) OPTIONAL PARTS