

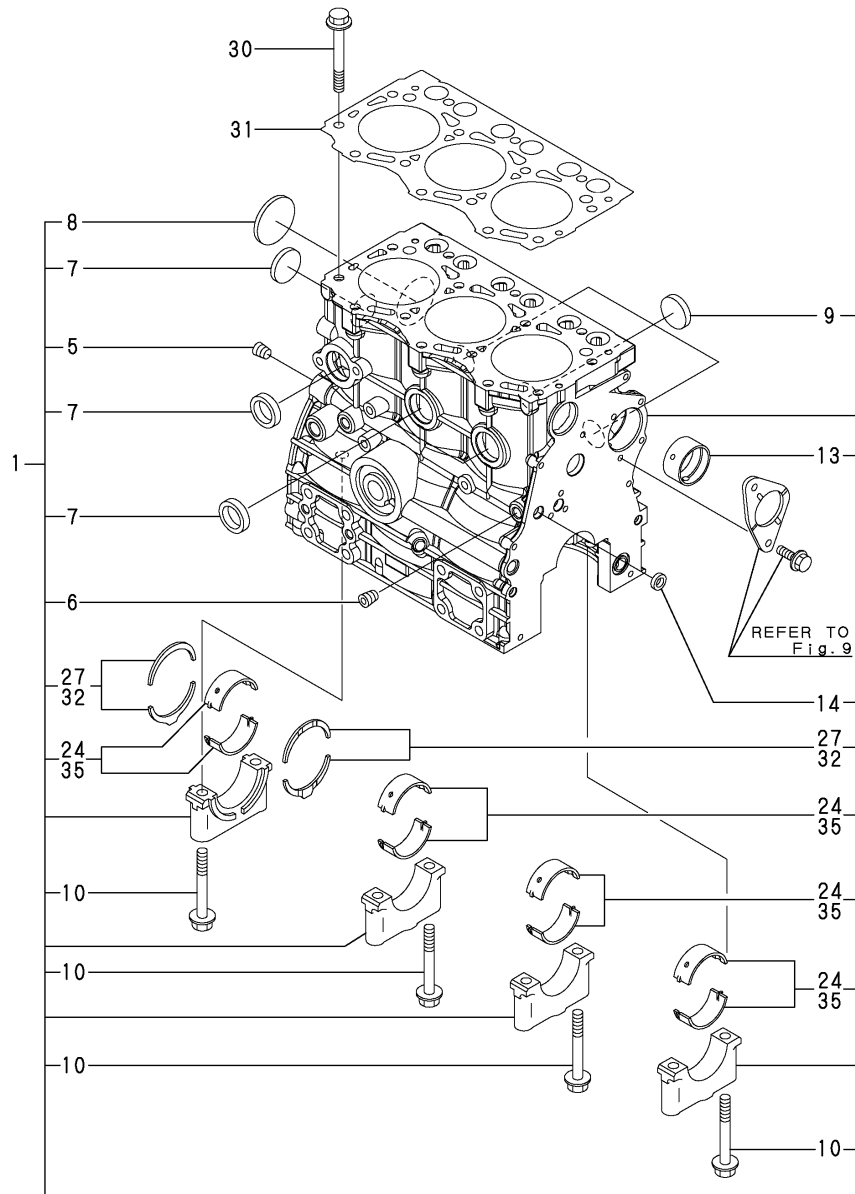


Spare parts catalog- Yanmar engines

(A) = 3YM30

(A)=3YM30 (D)=
 (B)= (E)=
 (C)= (F)=

Fig.1.CYLINDER BLOCK

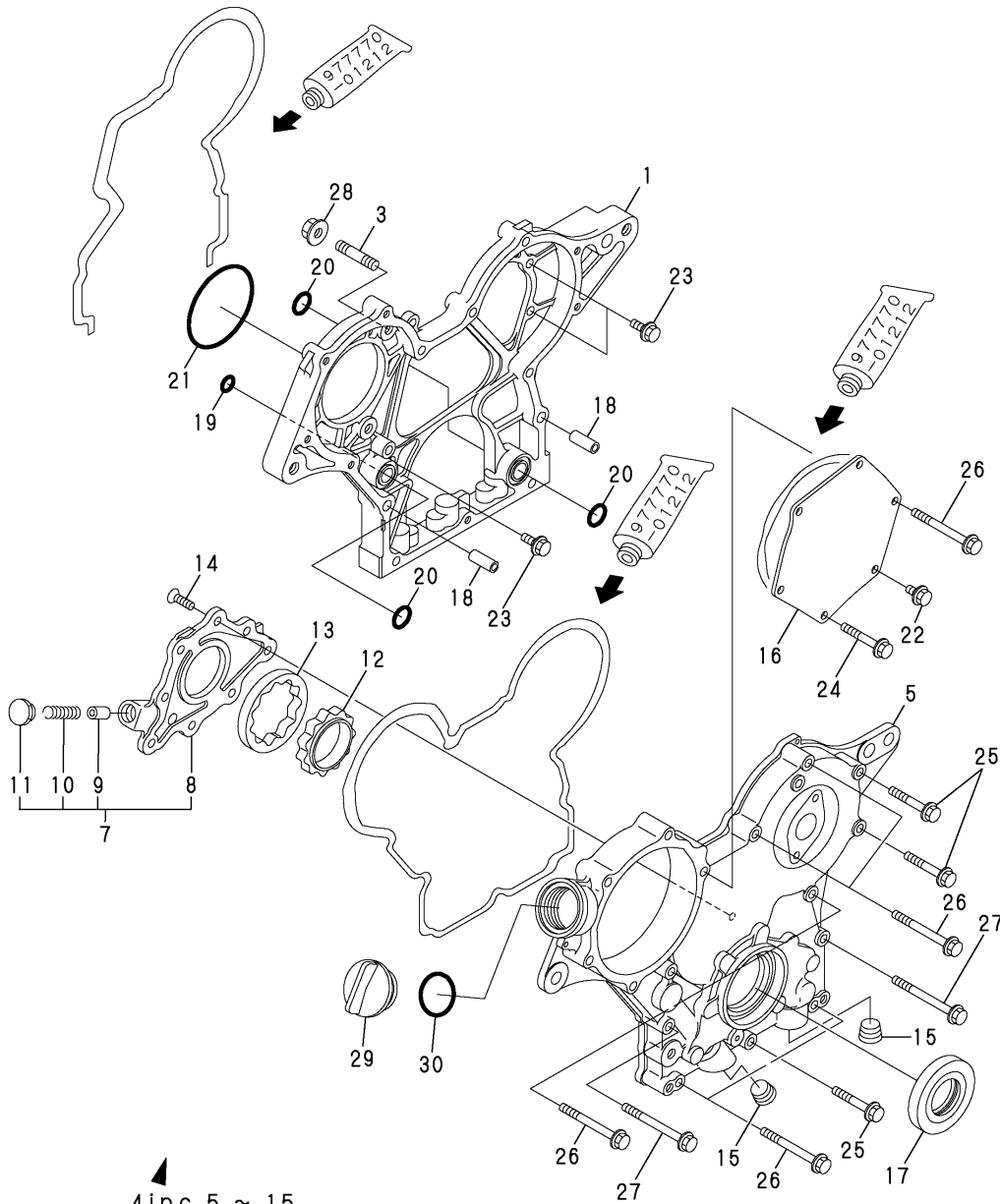


REF.	LEV.	PARTS NO.	DESCRIPTION	QTY						I	R
				(A)	(B)	(C)	(D)	(E)	(F)		
1	1	719717-01560	BLOCK ASSY, CYLINDER	1							
5	2	124160-01910	PLUG PT1/4	1							
6	2	124060-01050	PLUG PT1/8	1							
7	2	105311-01090	PLUG 30 (SUS)	4							
8	2	119623-01250	PLUG 45	1							
9	2	119285-01990	PLUG 25	3							
10	2	119620-02020	BOLT	8							
13	2	119717-02410	BUSH, CAMSHAFT	1							
14	2	27241-120000	PLUG 12	1							
24	2	719717-02900	MAIN BEARING SET	4							1
27	2	119810-02930	BEARING, THRUST	1							
30	1	119810-01200	BOLT, CYL. HEAD	14							
31	1	119717-01330	GASKET, CYL.HEAD	1							
32	1	119810-02940	BEARING,THRUST .25OS	2							2
35	1	719717-02910	MAIN METAL US=0.25	4							3

Remarks
 (1)REPAIR PART.
 (2)OVER SIZED(O.S.=0.25)PART.
 (3)UNDER SIZED(U.S.=0.25)PART.

Fig.2.GEAR HOUSING

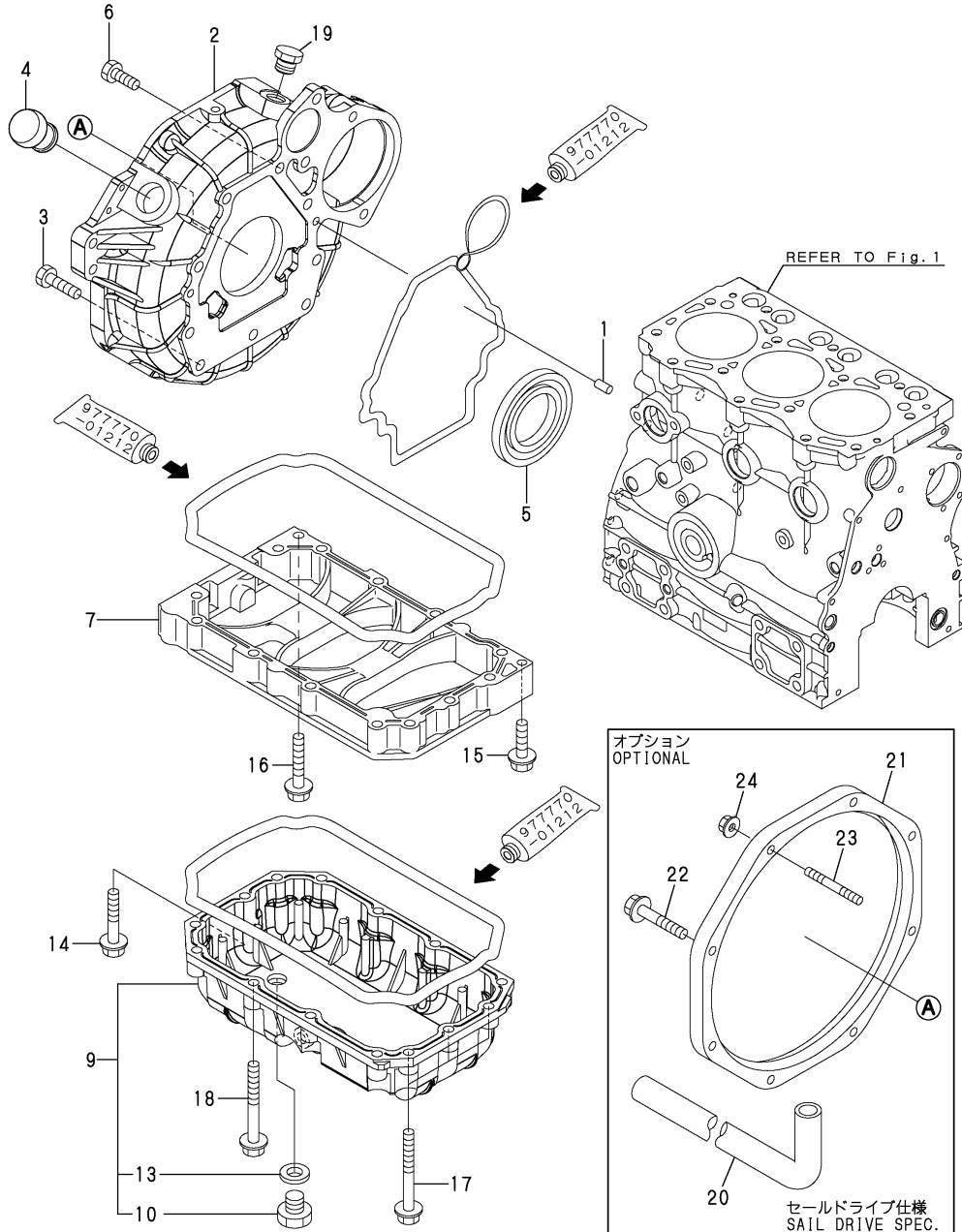
(A)=3YM30 (D)=
 (B)= (E)=
 (C)= (F)=



REF.	LEV.	PARTS NO.	DESCRIPTION	QTY						I	R
				(A)	(B)	(C)	(D)	(E)	(F)		
1	1	119717-01501	CASE, GEAR	1							
3	1	119717-01570	BOLT, STUD M8	3							
4	1	119717-01590	COVER ASSY, GEAR CASE	1							
5	2	119717-01521	COVER, GEAR CASE	1							
7	2	119717-32100	COVER ASSY, PUMP	1							
8	3	119717-32080	COVER, LUB.OIL PUMP	1							
9	3	129900-32130	VALVE, RELIEF	1							
10	3	129001-32320	SPRING	1							
11	3	129001-32330	PLUG	1							
12	2	119717-32110	ROTOR, INNER	1							
13	2	119717-32120	ROTOR, OUTER	1							
14	2	119802-32130	SCREW, M6X16	8							
15	2	23876-030000	PLUG PT3/8,SCREW	2							
16	1	119717-01750	COVER, PUMP TIMING	1							
17	1	119620-01800	SEAL, OIL	1							
18	1	119660-01911	PIPE, KNOCK	4							
19	1	119624-32040	O-RING P 12.0	1							
20	1	119717-32050	O-RING, P17.0	3							
21	1	121850-51960	O-RING, F.I.PUMP	1							
22	1	26106-060122	BOLT M 6X 12 PLATED	1							
23	1	26106-060162	BOLT M 6X 16 PLATED	4							
24	1	26106-060402	BOLT M 6X 40 PLATED	4							
25	1	26106-060402	BOLT M 6X 40 PLATED	3							
26	1	26106-060602	BOLT M 6X 60 PLATED	7							
27	1	26106-060652	BOLT M 6X 65 PLATED	2							
28	1	26306-080002	NUT	3							
29	1	124160-01751	COVER,FILLER	1							
30	1	24311-000320	O-RING 1A P-32.0	1							

Fig.3.FLYWHEEL HOUSING & L.O.SUMP

P/C NEWS No:Y00R5600-1
PUBLISHED:2003/9

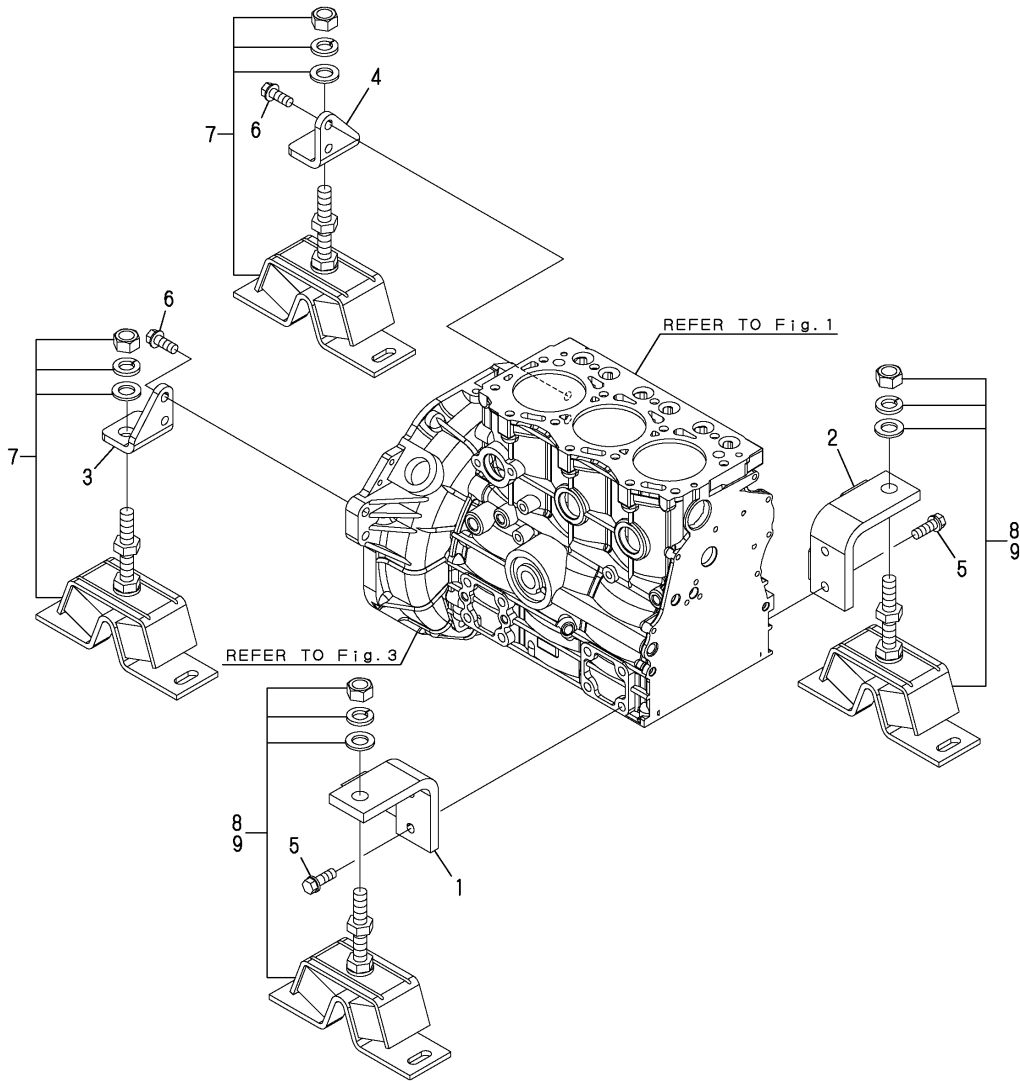


(A)=3YM30 (D)=
(B)= (E)=
(C)= (F)=

REF.	LEV.	PARTS NO.	DESCRIPTION	QTY						I	R
				(A)	(B)	(C)	(D)	(E)	(F)		
1	1	129100-01580	PARALLEL PIN 8X16	2							
2	1	128990-01600	HOUSING, FLYWHEEL	1							
3	1	121120-01620	BOLT M 10X 28	3							
4	1	119620-01750	CAP, FLYWHEEL COVER	1							
5	1	124085-02220	SEAL, OIL	1							
6	1	26206-100252	BOLT M10X25	8							
7	1	119717-01720	SPACER, OIL SUMP	1							
9	1	128990-01750	SUMP CMP, LUB OIL	1							
10	2	23887-160002	PLUG 16,HEX.	1							
I	10-1	2	121450-42450	PLUG M16	1						N
			(A=FROM 1ST)								
13	2	23414-160000	GASKET 16, ROUND	1							
I	13-1	2	124465-44950	GASKET 16	1						N
			(A=FROM 1ST)								
14	1	26106-080452	BOLT M 8X 45 PLATED	1							
15	1	26106-080302	BOLT M 8X 30 PLATED	1							
16	1	26106-080452	BOLT M 8X 45 PLATED	1							
17	1	26106-080702	BOLT M 8X 70 PLATED	3							
18	1	26106-080702	BOLT M 8X 70 PLATED	10							
19	1	23887-180002	PLUG 18	1							
20	1	128990-49030	PIPE C,CSW	1							
21	1	128990-81150	SPACER,S-DRIVE	1							
22	1	26106-080452	BOLT M 8X 45 PLATED	5							
23	1	26216-080452	STUD M 8X 45 PLATED	3							
24	1	26366-080002	NUT M 8	3							

Fig.4.MOUNTING FOOT

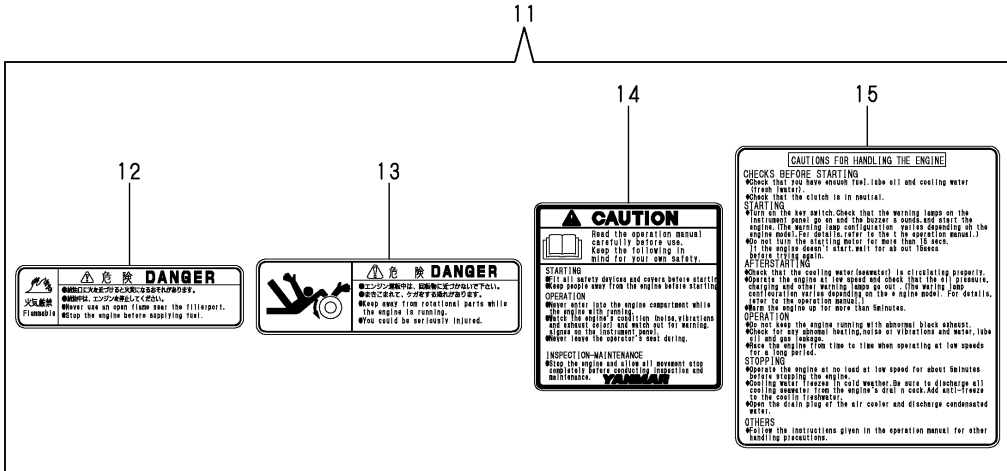
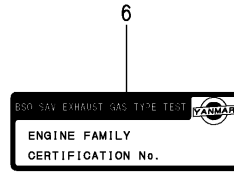
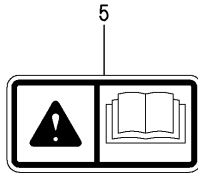
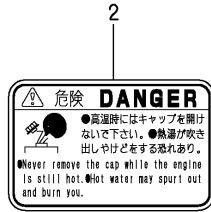
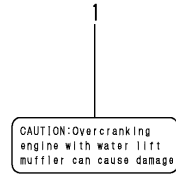
(A)=3YM30 (D)=
 (B)= (E)=
 (C)= (F)=



REF.	LEV.	PARTS NO.	DESCRIPTION	----- Q'TY -----						I	R
				(A)	(B)	(C)	(D)	(E)	(F)		
1	1	128990-08100	BRACKET,FRONT A	1							
2	1	128990-08110	BRACKET,FRONT B	1							
3	1	128377-08120	BRACEKT (A), REAR	1							
4	1	128377-08130	BRACKET(B), REAR	1							
5	1	26013-100302	BOLT M10X 30	4							
6	1	26106-100252	BOLT M10X 25 PLATED	4							
7	1	128377-08340	MOUNTING, FLEX.75	2							
8	1	128377-08350	MOUNTING, FLEX.100	2							
9	1	128377-08350	MOUNTING, FLEX.100	2							1

Remarks
 (1)OPTIONAL:SAIL DRIVE SPEC.

Fig.5.LABEL

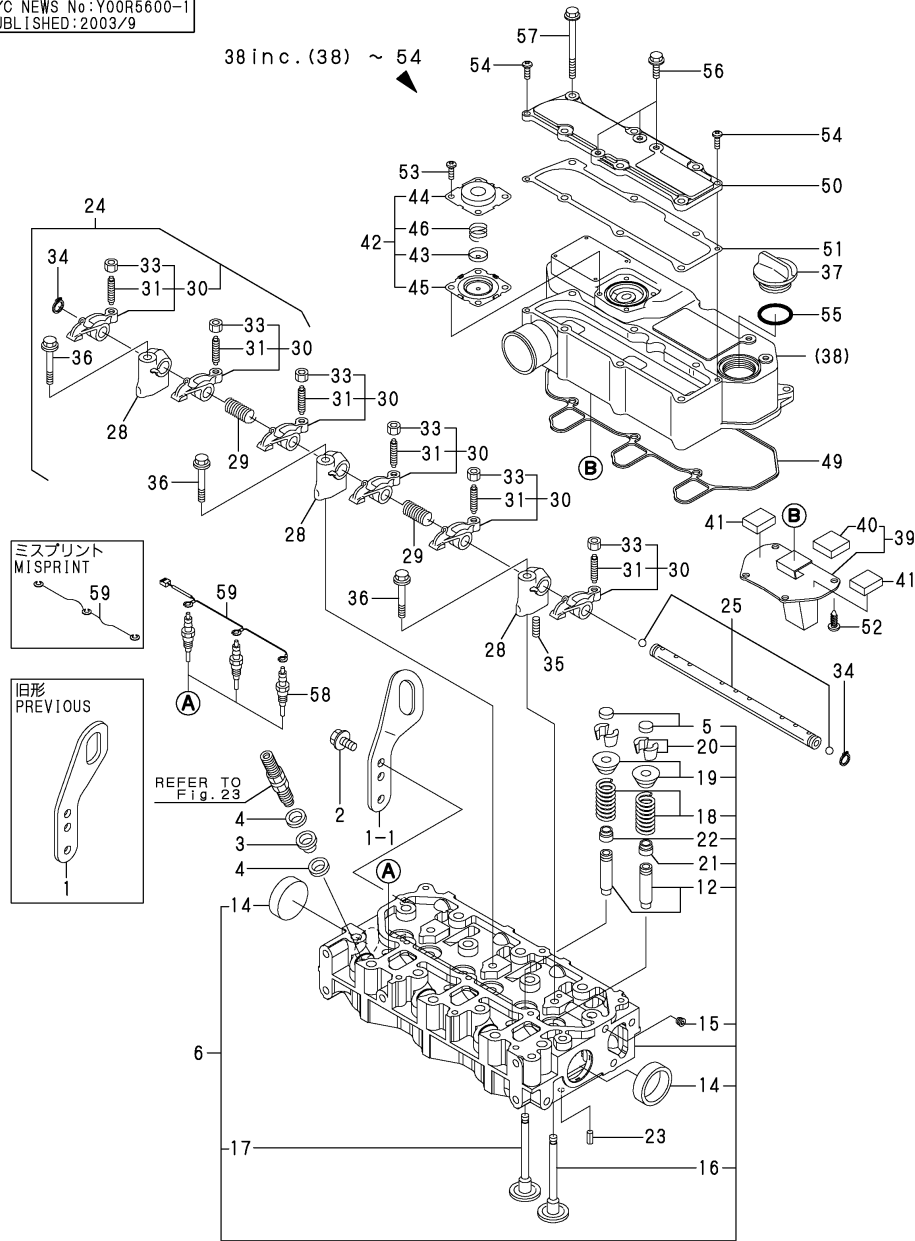


(A)=3YM30 (D)=
(B)= (E)=
(C)= (F)=

REF.	LEV.	PARTS NO.	DESCRIPTION	QTY						I	R	
				(A)	(B)	(C)	(D)	(E)	(F)			
1	1	128377-07150	CAUTION LABEL	1								
2	1	128377-07260	LABEL,DANGER	1								
3	1	128377-07350	LABEL,WARNING	1								
4	1	123682-07852	LABEL, CW. TANK	1								
5	1	196630-12980	LABEL	1								
6	1	128990-07560	LABEL, BSO2	1								
11	1	128296-07190	LABEL,LOOSE PARTS	1								
12	2	128296-07400	LABEL,DANGER	2								
13	2	128296-07420	LABEL,DANGER	1								
14	2	128296-07450	LABEL,DANGER	1								
15	2	128296-07460	LABEL,DANGER	1								

Fig.6.CYLINDER HEAD & BONNET

P/C NEWS No:Y00R5600-1
PUBLISHED:2003/9



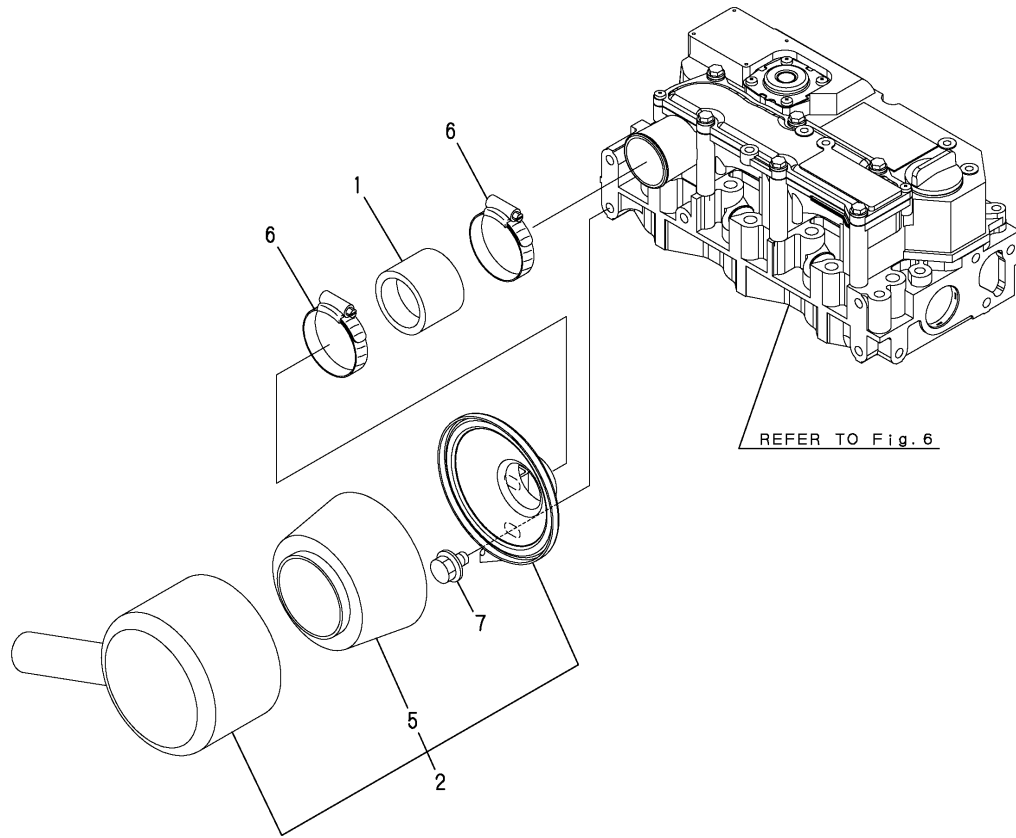
(A)=3YM30 (D)=
(B)= (E)=
(C)= (F)=

REF.	LEV.	PARTS NO.	DESCRIPTION	QTY						I	R
				(A)	(B)	(C)	(D)	(E)	(F)		
1	1	129486-07910	LIFTINGS	1							
I	1-1	128990-07910	LIFTINGS	1							N
		(A=*2003.09)									
2	1	26106-080142	BOLT M 8X 14 PLATED								2
3	1	129901-11450	PROTECTOR, NOZZLE								3
4	1	119600-11460	GASKET, NOZZLE								6
5	1	105010-11490	CAP, VALVE								6
6	1	119717-11740	HEAD ASSY, CYLINDER								1
12	2	119717-11800	GUIDE, VALVE								6
14	2	119285-11990	PLUG 35								2
15	2	23876-005000	PLUG PT 1/16,SCREW								1
16	2	119717-11100	VALVE, INTAKE								3
17	2	119717-11110	VALVE, EXHAUST								3
18	2	119717-11131	SPRING, VALVE								6
19	2	129508-11180	RETAINER, SPRING								6
20	2	119717-11190	COTTER, VALVE								12
21	2	119717-11340	SEAL, VALVE STEM								3
22	2	119717-11350	SEAL, VALVE STEM								3
23	1	22351-060012	SPRING PIN 6X12								2
24	1	119717-11200	SUPPORT ASSY, ARM								1
25	2	119717-11240	SHAFT ASSY, ROCKER								1
28	2	119717-11260	SUPPORT, ROCKER ARM								3
29	2	119620-11280	SPRING								2
30	2	119717-11650	ARM ASSY, ROCKER								6
31	3	129150-11230	SCREW, VALVE								6
33	3	129150-11750	NUT M8XP1.0								6
34	2	22242-000120	CIRCLIP 12								2
35	2	26979-050162	SCREW M 5X16								1
36	1	26106-080402	BOLT M 8X 40 PLATED								3
37	1	124160-01751	COVER, FILLER								1
38	1	119717-11381	BONNET ASSY, HEAD								1
39	2	119717-03031	PLATE, BAFFLE								1
40	3	119717-03070	BAFFLE, BREATHER								1
41	2	119717-03070	BAFFLE, BREATHER								2
42	2	119802-03100	DIAPHRAGM ASSY								1
43	3	119802-03110	PLATE, DIAPHRAGM								1
44	3	119802-03121	COVER, DIAPHRAGM								1
45	3	119802-03131	DIAPHRAGM								1
46	3	119802-03141	SPRING, DIAPHRAGM								1
49	2	119718-11310	GASKET, BONNET								1
50	2	119717-11320	COVER, BONNET								1
51	2	119717-11331	GASKET, BONNET COVER								1
52	2	22857-500100	SCREW 5X10, TAPPING								4
53	2	22857-500100	SCREW 5X10, TAPPING								4
54	2	22857-500160	SCREW 5X16								2
55	1	24311-000320	O-RING 1A P-32.0								1
56	1	26106-060202	BOLT M 6X 20 PLATED								3
57	1	26106-060752	BOLT M 6X 75 PLATED								6
58	1	119717-77800	PLUG, GLOW								3
59	1	128990-77820	CONNECTOR, GLOW								1

Remarks
(1)REPAIR PART.

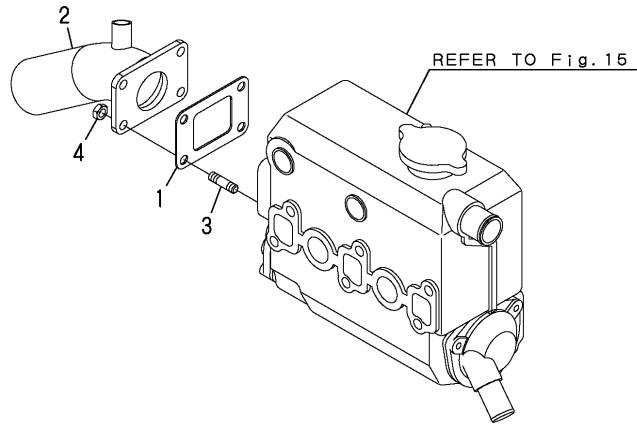
Fig.7.AIR INTAKE SILENCER

(A)=3YM30 (D)=
 (B)= (E)=
 (C)= (F)=



REF.	LEV.	PARTS NO.	DESCRIPTION	Q'TY						I	R
				(A)	(B)	(C)	(D)	(E)	(F)		
1	1	128990-12210	JOINT ,AIR INTAKE	1							
2	1	128990-12500	SILENCER ASSY	1							
5	2	128270-12540	ELEMENT, SILENCER	1							
6	1	23001-060000	CLIP,HOLELESS HOSE	2							
7	1	26106-080122	BOLT M 8X 12 PLATED	2							

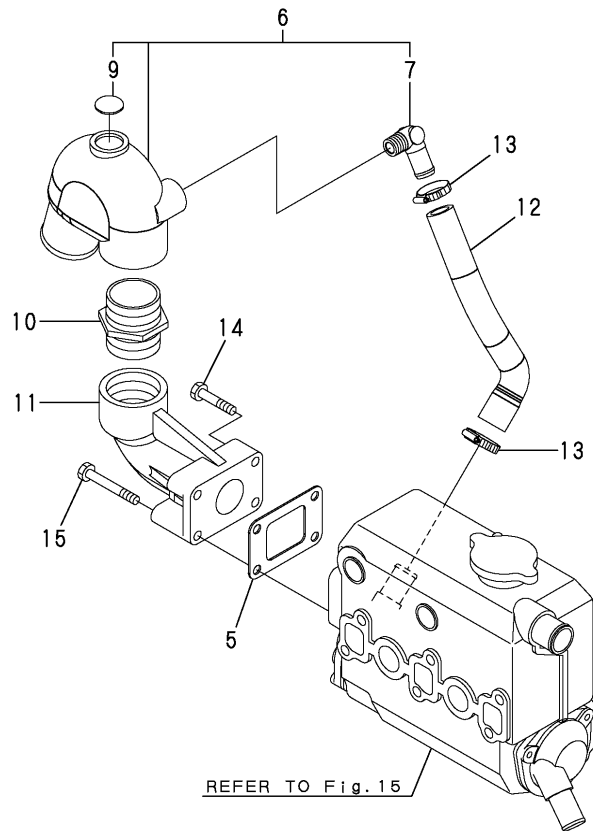
Fig.8.MIXING ELBOW



(A)=3YM30 (D)=
 (B)= (E)=
 (C)= (F)=

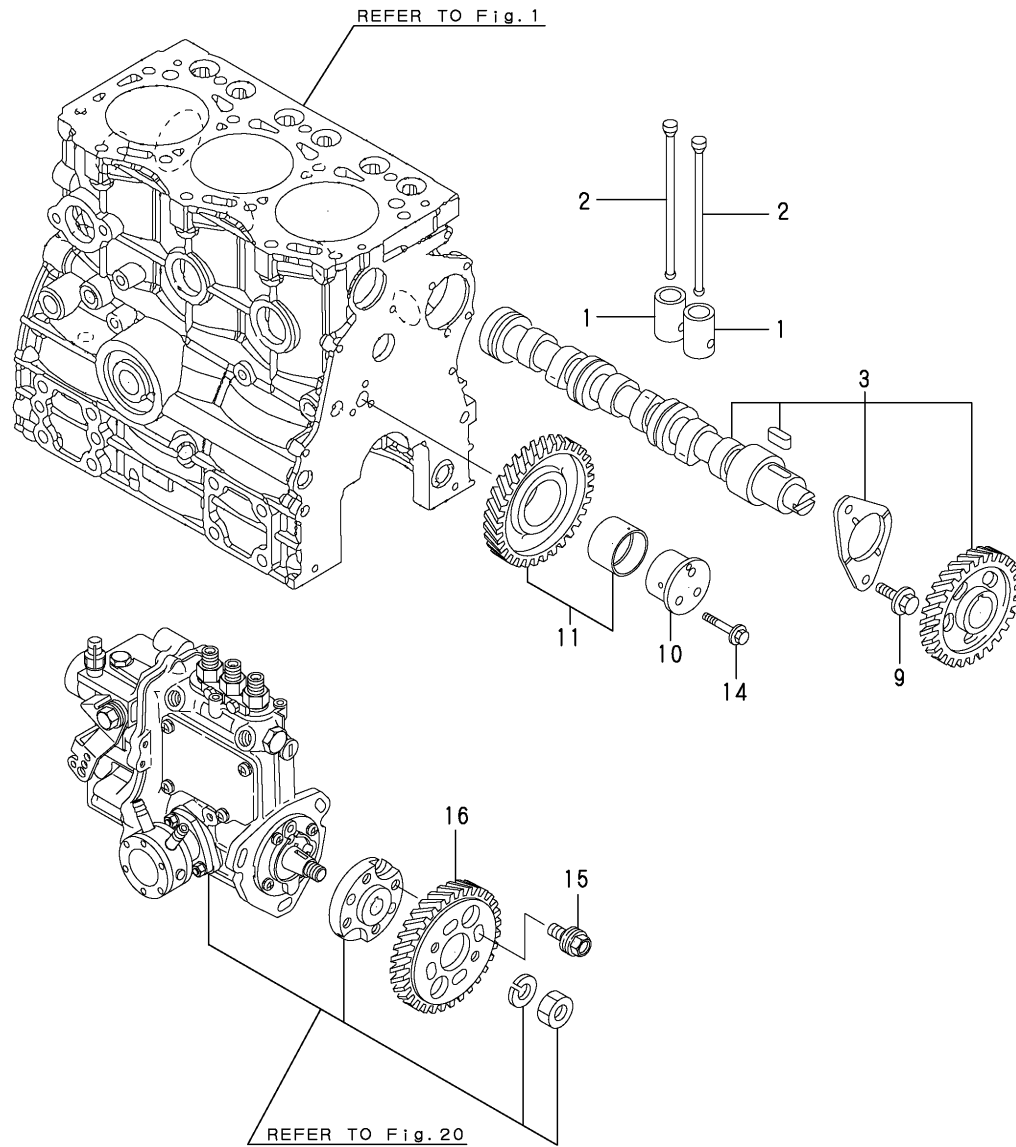
REF.	LEV.	PARTS NO.	DESCRIPTION	QTY						I	R
				(A)	(B)	(C)	(D)	(E)	(F)		
1	1	128370-13201	GASKET, (NON-ASB.)	1							
2	1	128397-13530	ELBOW, MIXING	1							
3	1	128170-13600	STUD	4							
4	1	26703-080002	NUT M 8	4							
5	1	128370-13201	GASKET, (NON-ASB.)	1							
6	1	124070-13520	ELBOW, MIXING	1							
7	2	124070-13300	ELBOW (PT3/8)	1							
9	2	27233-250000	PLUG 25	1							
10	1	104214-13580	JOINT	1							
11	1	128370-13610	ELBOW, EXHAUST	1							
12	1	128990-49040	PIPE B,CSW	1							
13	1	23000-025000	CLAMP 25	2							
14	1	26203-080402	BOLT M 8X 40	2							
15	1	26203-080602	BOLT M 8X 60	2							

オプション
 OPTIONAL



(A)=3YM30 (D)=
 (B)= (E)=
 (C)= (F)=

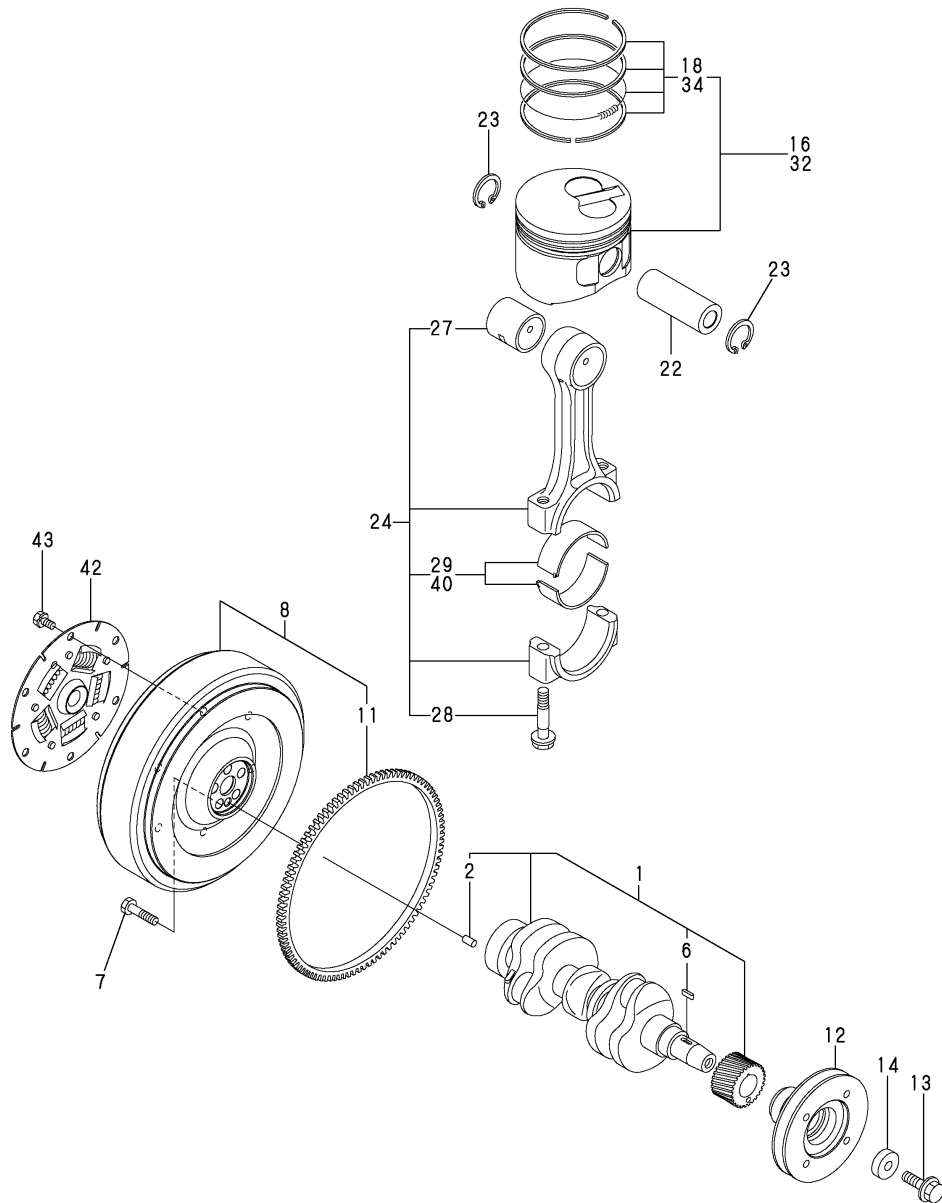
Fig.9.CAMSHAFT & DRIVING GEAR



REF.	LEV.	PARTS NO.	DESCRIPTION	QTY						I	R
				(A)	(B)	(C)	(D)	(E)	(F)		
1	1	119620-14200	TAPPET	6							
2	1	119717-14400	ROD, PUSH	6							
3	1	119717-14580	CAMSHAFT ASSY	1							
9	1	26106-060122	BOLT M 6X 12 PLATED	2							
10	1	119717-25050	SHAFT, IDLE GEAR	1							
11	1	119717-25100	GEAR ASSY, IDLE	1							
14	1	26106-060352	BOLT M 6X 35 PLATED	3							
15	1	129150-25301	BOLT,FI-P	4							
16	1	119717-25930	GEAR, PUMP	1							

(A)=3YM30 (D)=
 (B)= (E)=
 (C)= (F)=

Fig.10.CRANKSHAFT & PISTON

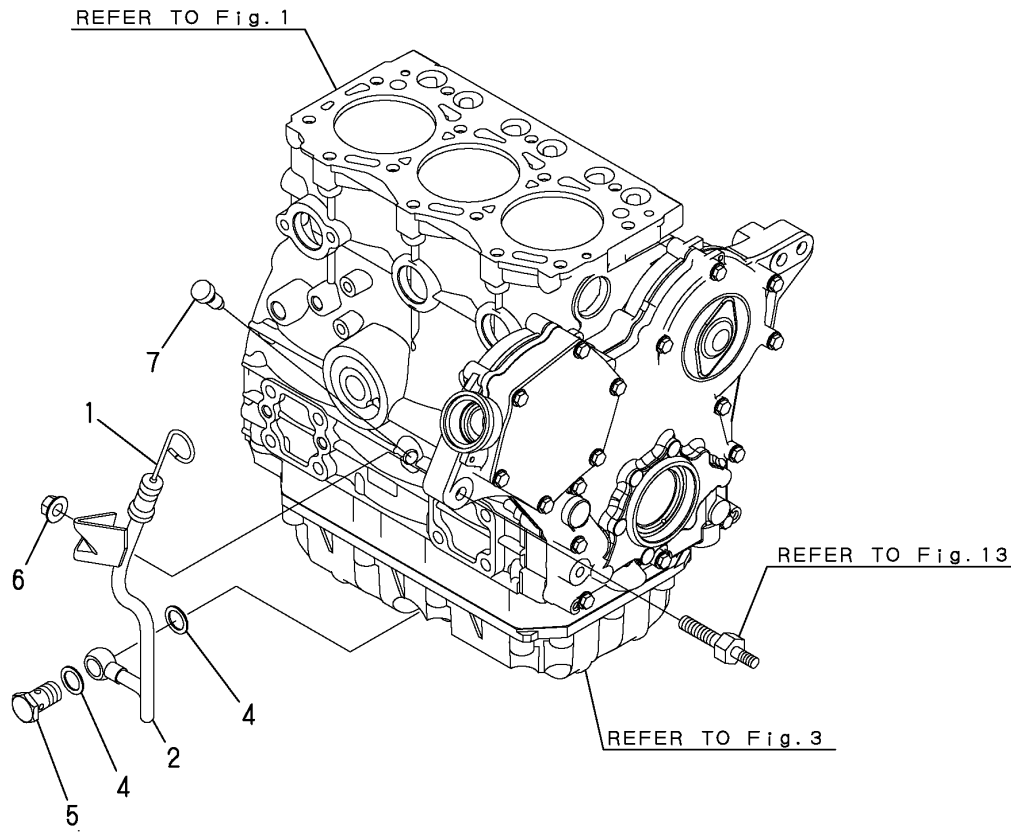


REF.	LEV.	PARTS NO.	DESCRIPTION	QTY						I	R
				(A)	(B)	(C)	(D)	(E)	(F)		
1	1	119717-21700	CRANKSHAFT ASSY	1							
2	2	129100-01580	PARALLEL PIN 8X16	1							
6	2	22512-040120	KEY 4X 12	1							
7	1	121111-21501	BOLT, FLYWHEEL	5							
8	1	128990-21590	FLYWHEEL ASSY	1							
11	2	124950-21600	GEAR, RING	1							
12	1	128990-21650	V-PULLEY, CRANKSHAFT	1							
13	1	119621-21680	BOLT M12X1.25,FLANGE	1							
14	1	119620-21941	WASHER	1							
16	1	119718-22080	PISTON ASSY	3							
18	2	119717-22500	RING SET	3							
22	1	119717-22300	PIN, PISTON	3							
23	1	22252-000220	CIRCLIP 22	6							
24	1	119717-23000	ROD ASSY, CONNECTING	3							
27	2	119717-23910	BUSH, PISTON PIN	3							1
28	2	119717-23200	BOLT, CONNECTING ROD	6							
29	2	119717-23600	METAL ASSY,CRANK PIN	3							
32	1	119718-22090	PISTON W/RING	3							2
34	2	119717-22550	RING SET, 0.25 OS	3							2
40	1	119717-23610	BEARING,PIN US=0.25	3							3
42	1	177070-03501	DISK (NON-ASB.)	1							
43	1	26013-080142	BOLT M 8X 14	6							

Remarks
 (1)REPAIR PART.
 (2)OVER SIZED(O.S.=0.25)PART.
 (3)UNDER SIZED(U.S.=0.25)PART.

(A)=3YM30 (D)=
 (B)= (E)=
 (C)= (F)=

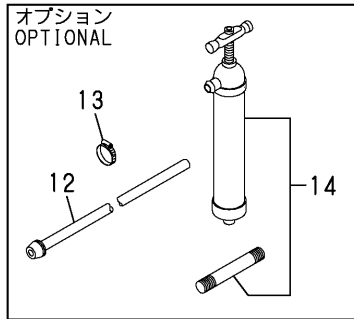
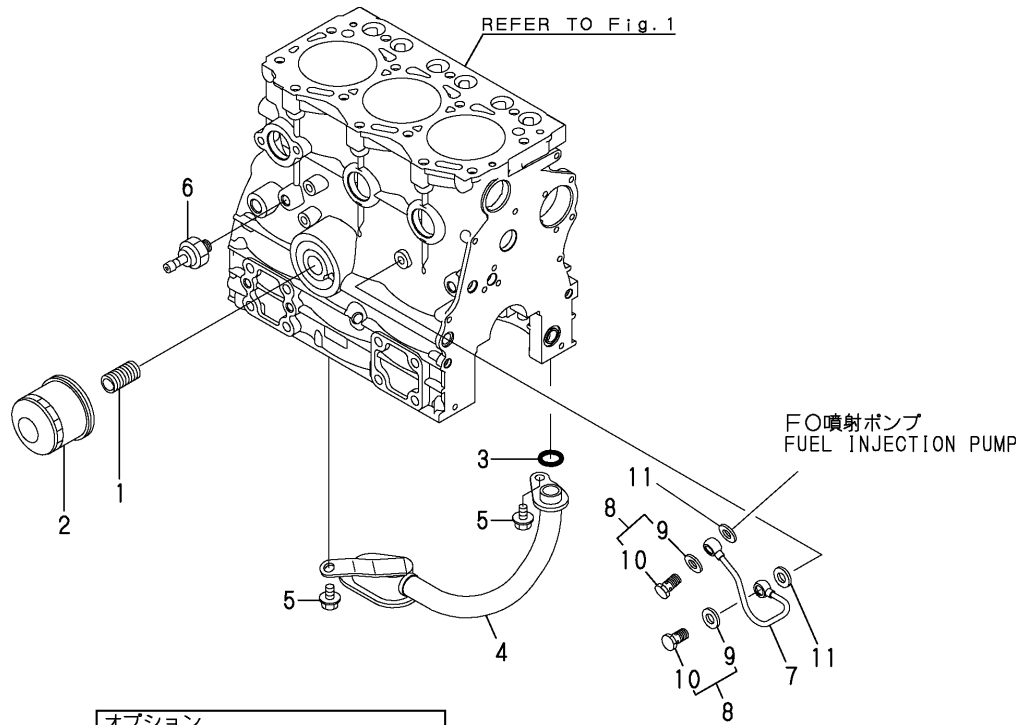
Fig.11.LUB.OIL DIPSTICK



REF.	LEV.	PARTS NO.	DESCRIPTION	Q'TY						I	R	
				(A)	(B)	(C)	(D)	(E)	(F)			
1	1	128990-34850	DIPSTICK, LUB.OIL	1								
2	1	128990-34860	GUIDE, DIPSTICK	1								
4	1	22190-160002	SEAL WASHER 16S	2								
5	1	23857-100000	JOINT BOLT 10	1								
6	1	26366-100002	NUT M10	1								
7	1	124976-34850	CAP	1								

Fig.12.LUB.OIL SYSTEM

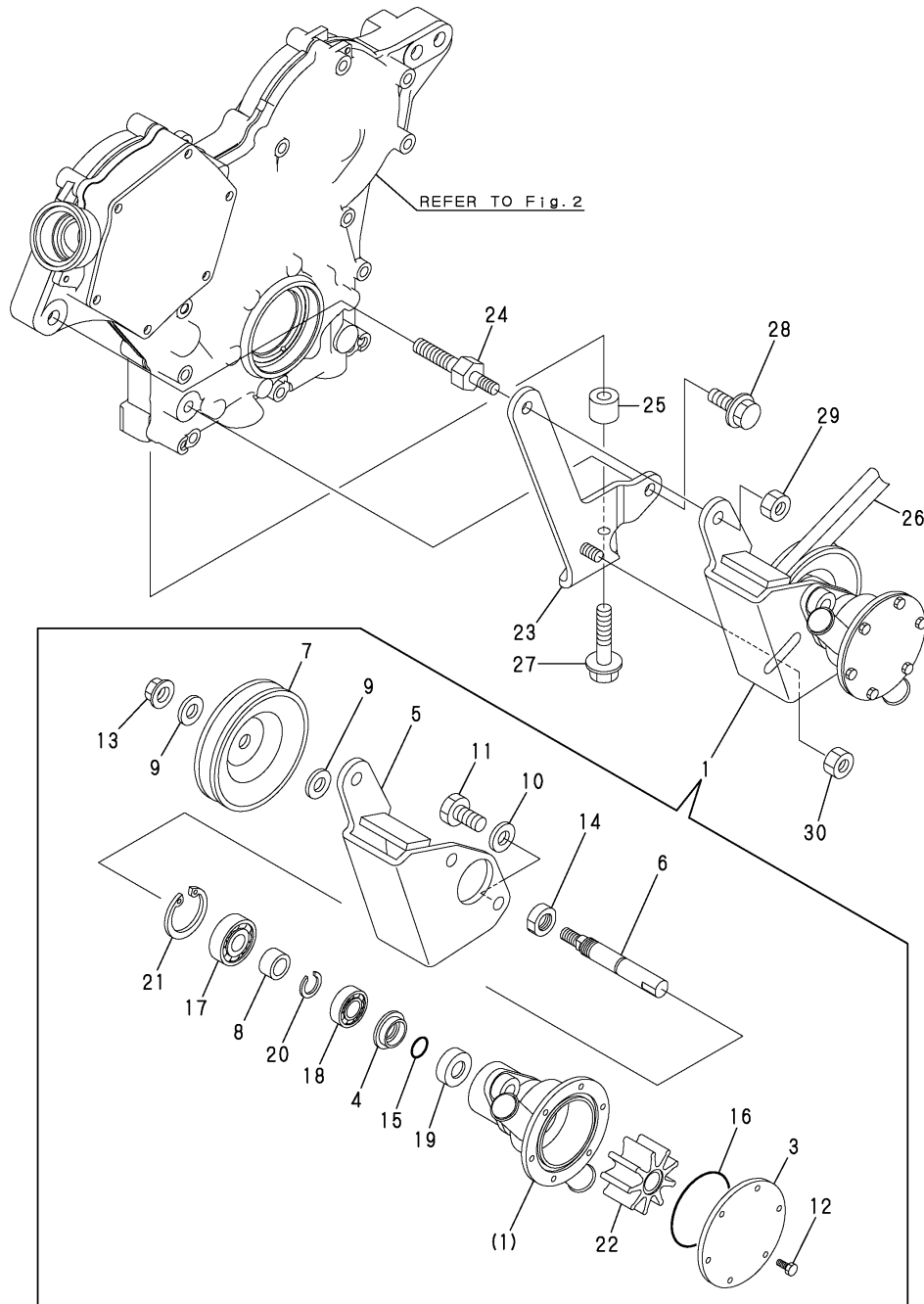
(A)=3YM30 (D)=
 (B)= (E)=
 (C)= (F)=



REF.	LEV.	PARTS NO.	DESCRIPTION	QTY						I	R	
				(A)	(B)	(C)	(D)	(E)	(F)			
1	1	129100-35140	STUD	1								
2	1	119305-35150	FILTER, LUB. OIL	1								
3	1	119717-32060	O-RING, P15.0	1								
4	1	128990-35080	PIPE ASSY, LUB.OIL	1								
5	1	26106-060102	BOLT M 6X 10 PLATED	2								
6	1	114250-39450	SWITCH,(0.5KG)L.O.	1								
7	1	119717-39210	PIPE ASSY, HYDRAULIC	1								
8	1	129005-59830	BOLT ASSY, JOINT	2								
9	2	22190-080002	SEAL WASHER 8S	2								
10	2	23857-030000	JOINT BOLT 3	2								
11	1	22190-080002	SEAL WASHER 8S	2								
12	1	128275-39710	PIPE, LUB OIL	1								
13	1	23080-018000	CLAMP 18	3								
14	1	28210-000080	PUMP, PRIMER	1								

(A)=3YM30 (D)=
 (B)= (E)=
 (C)= (F)=

Fig.13.COOLING SEA WATER PUMP

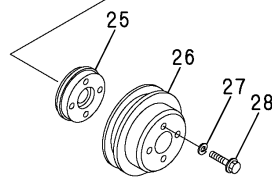
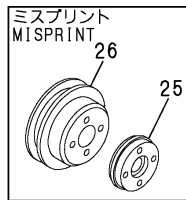
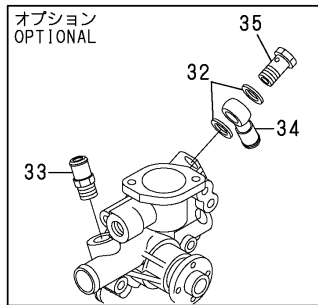
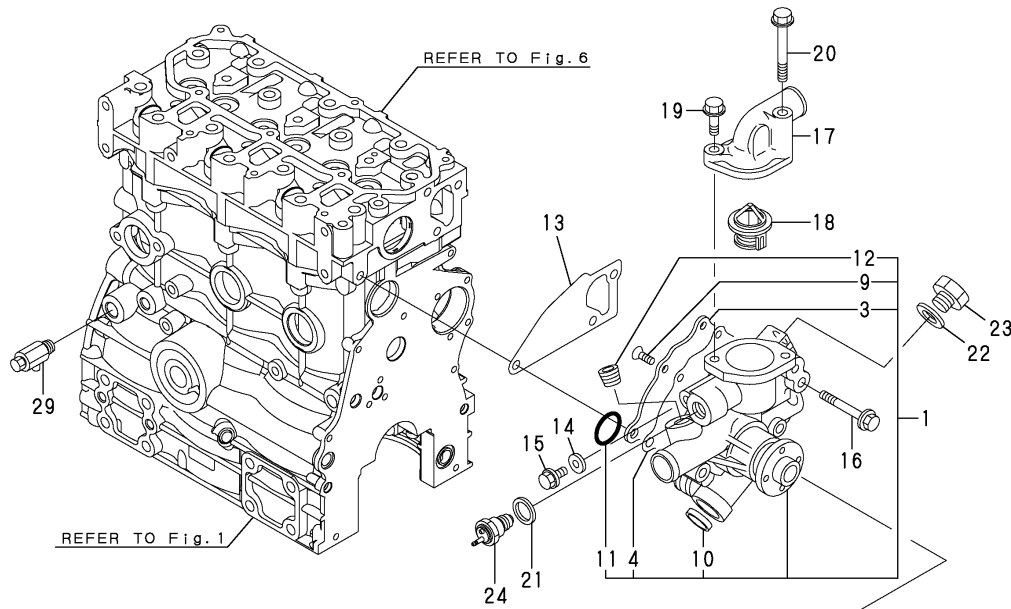


REF.	LEV.	PARTS NO.	DESCRIPTION	QTY						I	R
				(A)	(B)	(C)	(D)	(E)	(F)		
1	1	128990-42500	CSW-P CMP	1							
3	2	X0142398	COVER	1							
4	2	X0145050	PLATE	1							
5	2	128990-42150	BRACKET A,CSW-P	1							
6	2	X0146541	SHAFT, FAN	1							
7	2	124070-42400	V-PULLEY, C.W. PUMP	1							
8	2	X0146542	SPACER	1							
9	2	X014678901	WASHER	2							
10	2	X00353309	WASHER	2							
11	2	X00141916	SCREW	2							
12	2	128990-42520	SCREW	6							
13	2	X00190050	LOCK NUT	1							
14	2	X00183200	NUT	1							
15	2	X02173432	O-RING	1							
16	2	X02173476	O-RING	1							
17	2	X03431760	BALL BEARING	1							
18	2	X03431748	BALL BEARING	1							
19	2	X02233010	RIP SEAL	1							
20	2	X00370012	RETAINING RING	1							
21	2	X00371732	RETAINING RING	1							
22	2	128397-42200	IMPELLER	1							
23	1	128990-42160	BRACKET B,CSW-P	1							
24	1	128990-42170	BOLT,CSW-P SPACER	1							
25	1	128990-42180	COLLAR	1							
26	1	128990-77350	V BELT,M20	1							
27	1	26106-060302	BOLT M 6X 30 PLATED	1							
28	1	26106-080202	BOLT M 8X 20 PLATED	1							
29	1	26366-080002	NUT M 8	1							
30	1	26366-080002	NUT M 8	1							

(A)=3YM30 (D)=
 (B)= (E)=
 (C)= (F)=

Fig.14.COOLING FRESH WATER PUMP

P/C NEWS No:Y00R5600-1
 PUBLISHED:2003/9



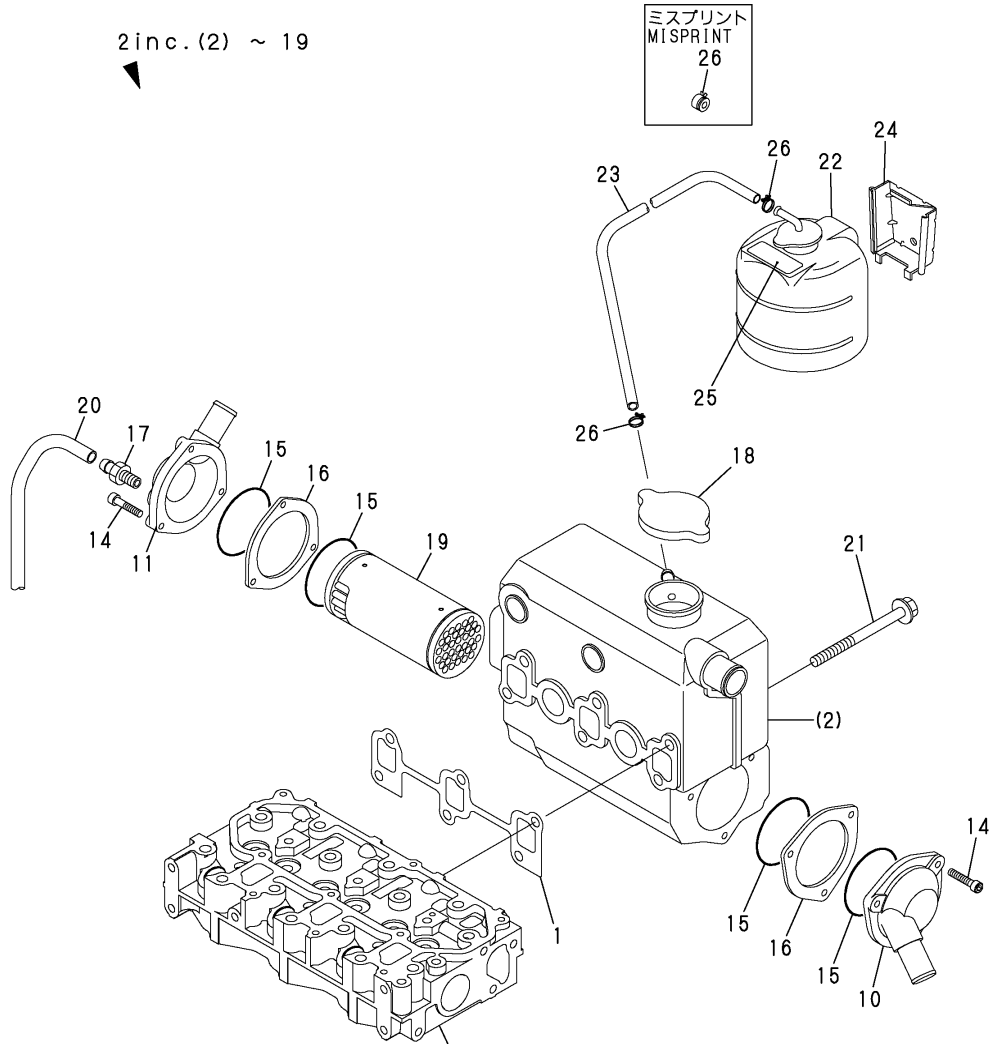
REF.	LEV.	PARTS NO.	DESCRIPTION	QTY						I	R	
				(A)	(B)	(C)	(D)	(E)	(F)			
1	1	119717-42002	PUMP ASSY, C.W.	1								
3	2	119717-42041	COVER	1								
4	2	119717-42031	GASKET	1								
9	2	26577-060122	SCREW M 6X 12	4								
10	2	27241-250000	PLUG 25	1								
11	2	119717-42320	O-RING P-26	1								
12	2	129916-49740	PLUG, DRAIN R03	1								
13	1	119717-42020	GASKET, WATER PUMP	1								
14	1	23414-080000	GASKET 8, ROUND	1								
15	1	26106-080122	BOLT M 8X 12 PLATED	1								
16	1	26106-080502	BOLT M 8X 50 PLATED	3								
17	1	124101-49530	COVER, THERMOSTAT	1								
18	1	128990-49800	THERMOSTAT, 71	1								
19	1	26106-080252	BOLT M 8X 25 PLATED	1								
20	1	26106-080652	BOLT M 8X 65 PLATED	1								
21	1	124465-44950	GASKET 16	1								
22	1	124465-44950	GASKET 16	1								
23	1	23887-160002	PLUG 16,HEX.	1								
24	1	46150-503100	SENSOR	1								
25	1	128990-42260	SPACER,CFW-P	1								
26	1	119740-42350	V-PULLEY, C.W.PUMP	1								
27	1	22217-060000	SPRING WASHER 6	4								
28	1	26106-060282	BOLT M 6X 28 PLATED	4								
29	1	119620-49290	COCK ASSY 1/4	1								
32	1	124465-44950	GASKET 16	2								
33	1	128990-49320	JOINT 3/8 OUT	1								
34	1	128990-49330	JOINT RETURN	1								
35	1	23854-100000	JOINT BOLT 10	1								

Fig.15.COOLING FRESH WATER COOLER

P/C NEWS No:Y00R5600-1
PUBLISHED:2003/9

2inc.(2) ~ 19

ミスプリント
MISPRINT
26



REFER TO Fig.6

(A)=3YM30 (D)=
(B)= (E)=
(C)= (F)=

REF.	LEV.	PARTS NO.	DESCRIPTION	QTY						I	R
				(A)	(B)	(C)	(D)	(E)	(F)		
1	1	119717-13110	GASKET, MANIFOLD	1							
2	1	128990-44900	EXCHANGER ASSY, HEAT	1							
10	2	128990-44070	BONNET INLET	1							
11	2	128990-44080	BONNET OUTLET ASSY	1							
14	2	128990-44090	SCREW CHC M6X30	6							
15	2	128990-44100	O RING D65.6 X 3.53	4							
16	2	128990-44110	SPACER	2							
17	2	128990-44120	DRAIN PLUG	1							
18	2	128990-44130	CAP 0.95 BAR	1							
19	2	128990-44400	MOTA ELEMENT	1							
20	1	23061-070300	PIPE 7X 300	1							
21	1	26106-081152	BOLT M 8X115 PLATED	6							
22	1	128397-44500	TANK ASSY, RESERVE	1							
23	1	129270-44500	PIPE OVER FLOW	1							
24	1	128397-44510	BRACKET, SUB-TANK	1							
25	1	129670-44570	LABEL	1							
26	1	23010-013000	CLAMP, HOSE 13	2							

Fig.17.COOLING FRESH WATER PIPE

(A)=3YM30 (D)=
 (B)= (E)=
 (C)= (F)=

REF.	LEV.	PARTS NO.	DESCRIPTION	QTY						I	R
				(A)	(B)	(C)	(D)	(E)	(F)		
1	1	128990-49050	PIPE A,CFW	1							
3	1	128990-49060	PIPE B,CFW	1							
4	1	128990-49150	RETAINER,CFW-T	1							
5	1	194250-51660	BAND 250	1							
6	1	23000-041000	CLAMP 41	4							

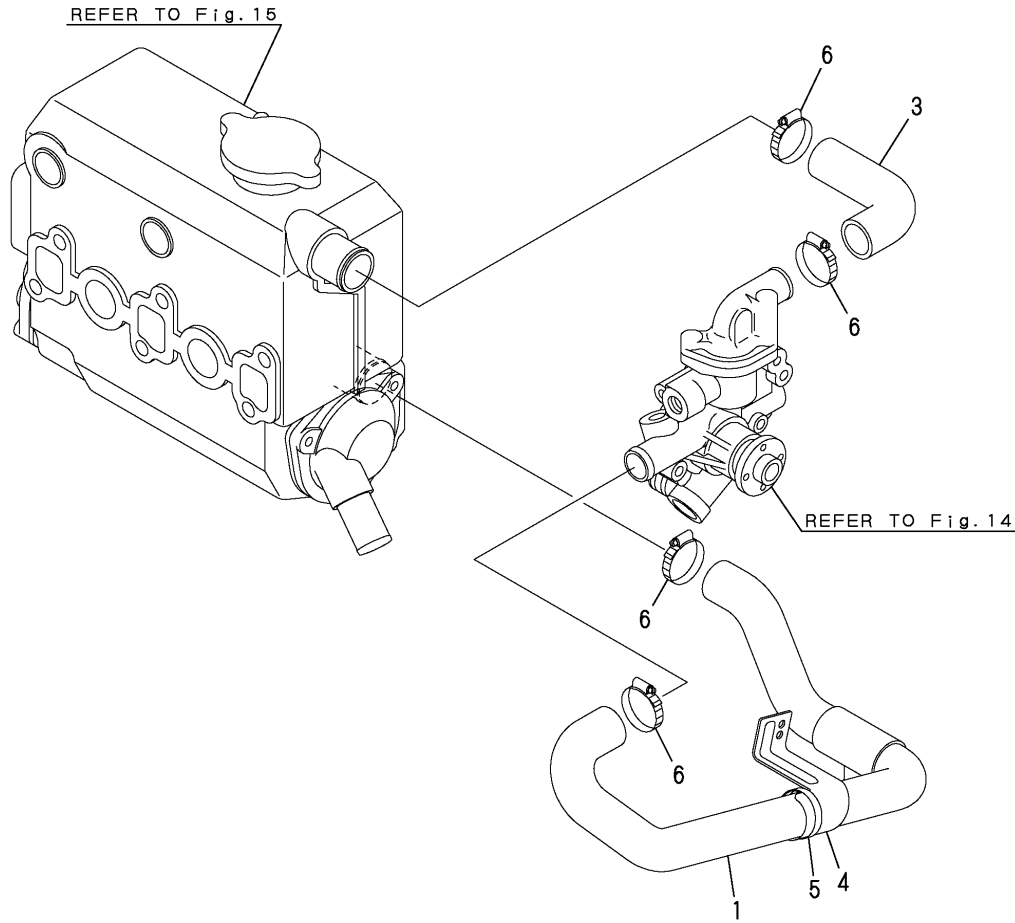
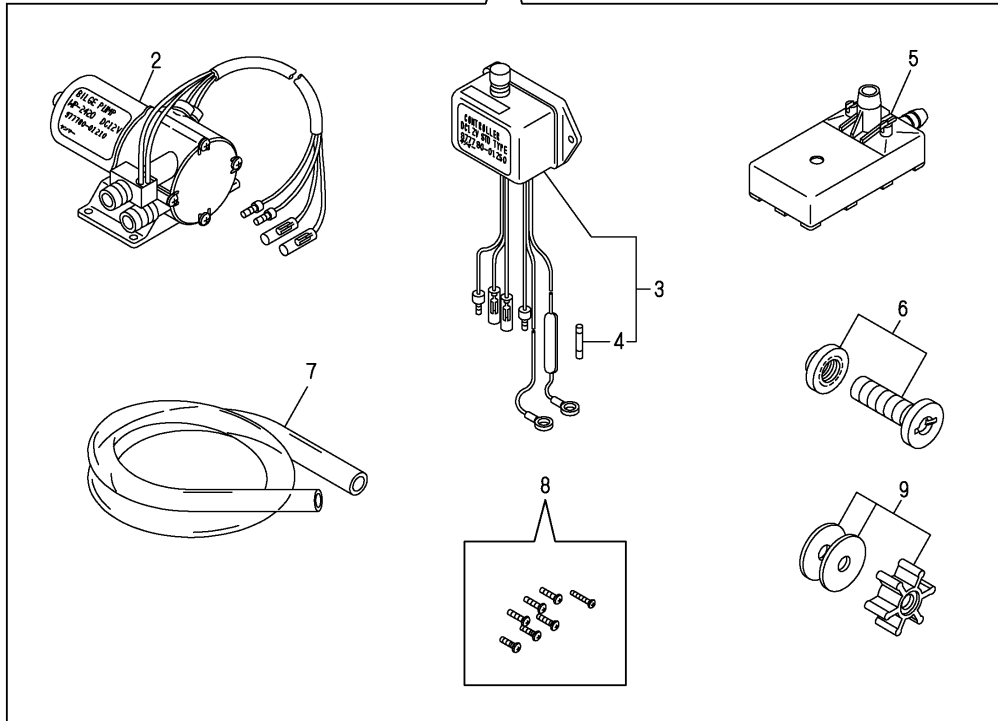
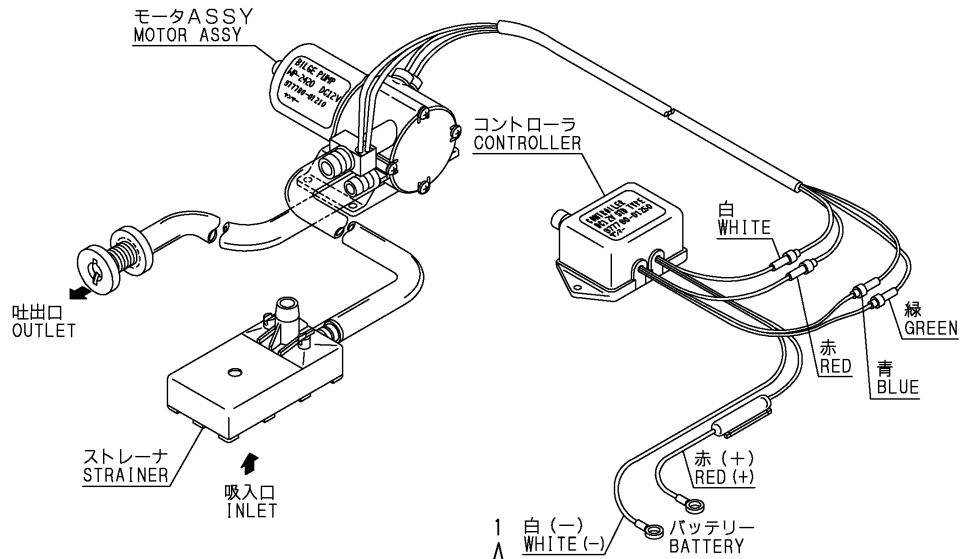


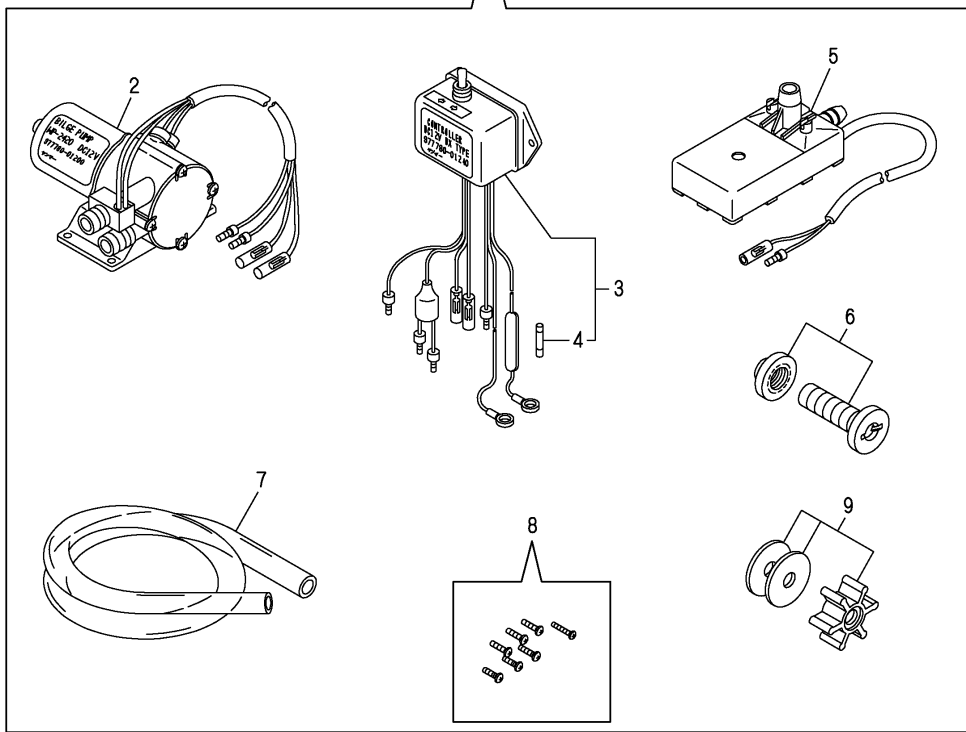
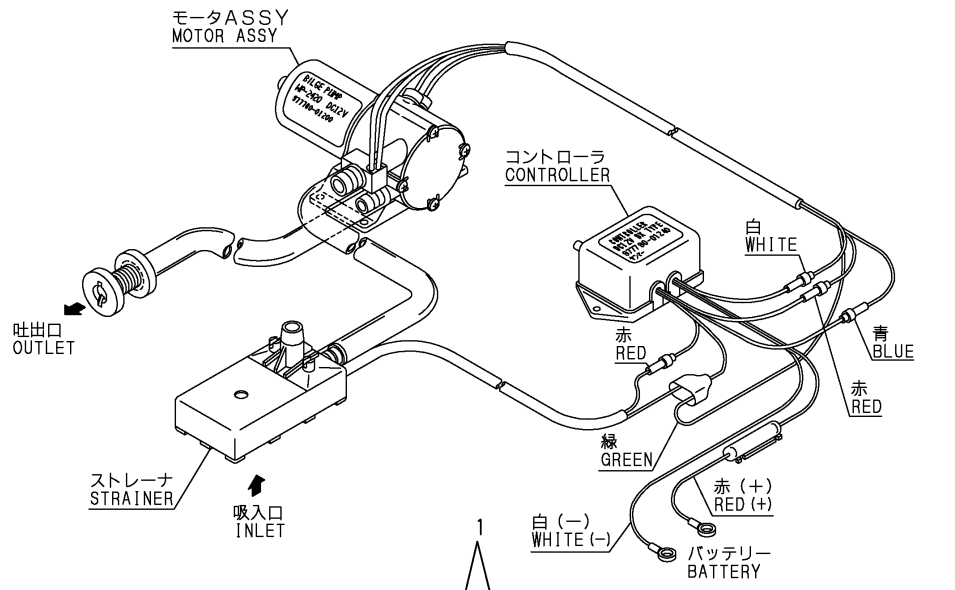
Fig.18.BILGE PUMP(STD/OPTIONAL)



(A)=3YM30 (D)=
(B)= (E)=
(C)= (F)=

REF.	LEV.	PARTS NO.	DESCRIPTION	QTY						I	R
				(A)	(B)	(C)	(D)	(E)	(F)		
1	1	977780-01210	PUMP(12V).BILGE	1							
2	2	977780-01230	MOTOR ASSY(BILG PUMP)	1							
3	2	977780-01250	CONTROLLER	1							
4	3	X8636008003	FUSE	1							
5	2	X179100021X	STRAINER	1							
6	2	X179100100X	PIPE ASSY	1							
7	2	X0044021509	HOSE A	1							
8	2	X199903800X	SCREW KIT	1							
9	2	977780-03000	INPELLER	1							

Fig.19.BILGE PUMP(DX/OPTIONAL)



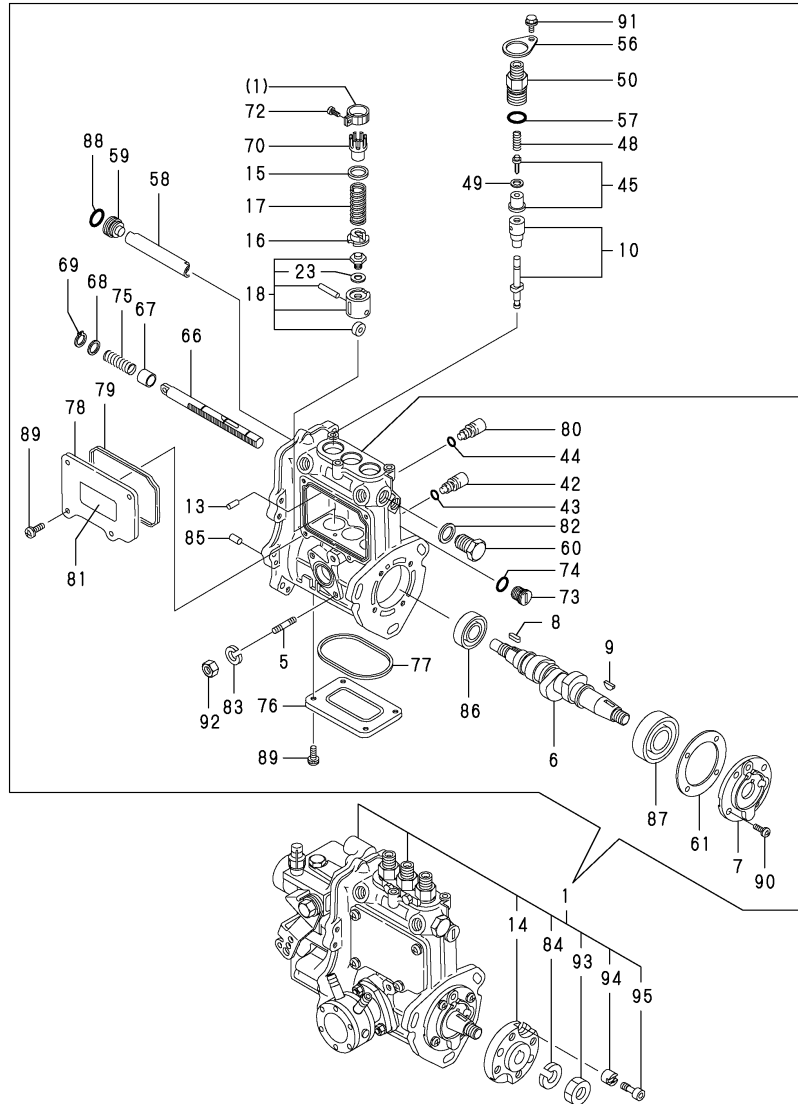
(A)=3YM30 (D)=
 (B)= (E)=
 (C)= (F)=

REF.	LEV.	PARTS NO.	DESCRIPTION	QTY						I	R
				(A)	(B)	(C)	(D)	(E)	(F)		
1	1	977780-01200	PUMP(12V).BILGE	1							
2	2	977780-01230	MOTOR ASSY(BILG PUMP)	1							
3	2	977780-01240	CONTROLLER	1							
4	3	X8636008003	FUSE	1							
5	2	X179100011X	STRAINER	1							
6	2	X179100100X	PIPE ASSY	1							
7	2	X0044021509	HOSE A	1							
8	2	X199903800X	SCREW KIT	1							
9	2	977780-03000	INPELLER	1							

(A)=3YM30 (D)=
 (B)= (E)=
 (C)= (F)=

Fig.20.FUEL INJECTION PUMP

P/C NEWS No:Y00R5600-1
 PUBLISHED:2003/9



REF.	LEV.	PARTS NO.	DESCRIPTION	QTY						I	R
				(A)	(B)	(C)	(D)	(E)	(F)		
1	1	728990-51350	FIE ASSY, 3YM30	1							1
5	2	129155-51020	STUD, FEED PUMP	2							
6	2	119717-51030	CAMSHAFT	1							
7	2	119717-51060	SUPPORT, BEARING	1							
8	2	119717-51070	PARALLEL PIN	1							
9	2	122710-51090	KEY	1							
10	2	119740-51100	PLUNGER ASSY	3							
13	2	129155-51140	PIN, BARREL LOCKING	3							
14	2	119717-51150	FLANGE	1							
15	2	158600-51170	SEAT SPRING	3							
16	2	119717-51180	RETAINER, SPRING	3							
17	2	119717-51190	SPRING, PLUNGER	3							
18	2	119717-51200	TAPPET ASSY	3							
18-1	2	128990-51200	TAPPET ASSY	3							N
(A=*2003.08)											
23	3	129155-51600	SHIM PACK	3							
42	2	158600-51270	STOPPER	3							
43	2	129155-51280	O-RING S6	3							
44	2	129155-51280	O-RING S6	1							
45	2	128990-51190	VALVE ASSY, DELIVERY	3							
48	2	128990-51330	SPRING, DELIVERY	3							
49	2	124550-51350	GASKET, DELIVERY	3							
50	2	158600-51340	VALVE ASSY, DELIVERY	3							
56	2	118400-51370	LOCKING	3							
57	2	24316-000150	O-RING 4D P15	3							
58	2	129155-51400	DEFLECTOR	1							
59	2	158600-51410	PLUG	1							
60	2	158600-51420	PLUG	1							
61	2	129155-51450	SHIM SET, ADJUSTING	1							
66	2	119717-51500	RACK, CONTROL	1							
67	2	129155-51521	BUSH, RACK	1							
68	2	129155-51530	SPACER, AUX. SPRING	1							
69	2	129155-51540	CIRCLIP	1							
70	2	129155-51550	PINION, CONTROL	3							
72	2	129100-51570	SCREW	3							
73	2	158600-51570	PLUG	1							
74	2	129155-51580	O-RING	1							
75	2	129155-51591	SPRING, RACK	1							
76	2	129155-51701	COVER	1							
77	2	119717-51710	PACKING	1							
78	2	119717-51750	COVER, BODY SIDE	1							
79	2	119717-51760	GASKET	1							
80	2	158600-51790	GUIDE, RACK	1							
81	2	129156-51910	LABEL, CAUTION	1							
82	2	22190-160002	SEAL WASHER 16S	1							
83	2	22217-060000	SPRING WASHER 6	2							
84	2	22217-120000	SPRING WASHER	1							
85	2	22351-050010	SPRING PIN 5X10	2							
86	2	24101-060034	BALL BEARING	1							
87	2	24101-063034	BALL BEARING	1							
88	2	119717-51420	O-RING	1							
89	2	26022-050122	SCREW W/WASHER M5X12	8							
90	2	26022-060162	SCREW M 6X 16	4							
91	2	26106-050102	BOLT M 5X 10 PLATED	3							

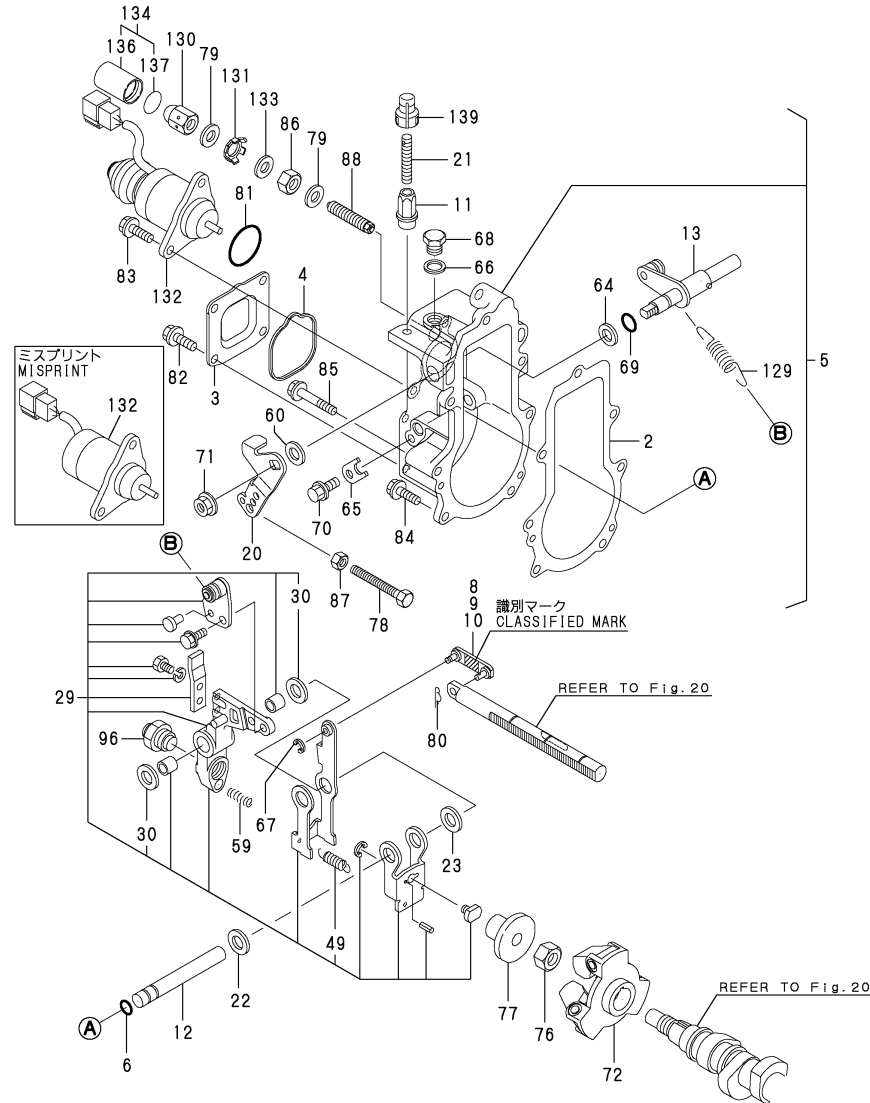
++ CONTINUE ++

Remarks
 (1)GOVERNOR(Fig.21)AND FUEL FEED PUMP
 (Fig.22) IS INCORPORATED IN THIS
 FUEL INJECTION PUMP.(REF.NO.1)

(A)=3YM30 (D)=
 (B)= (E)=
 (C)= (F)=

Fig.21.GOVERNOR

P/C NEWS No.:Y00R5600-1
 PUBLISHED:2003/9



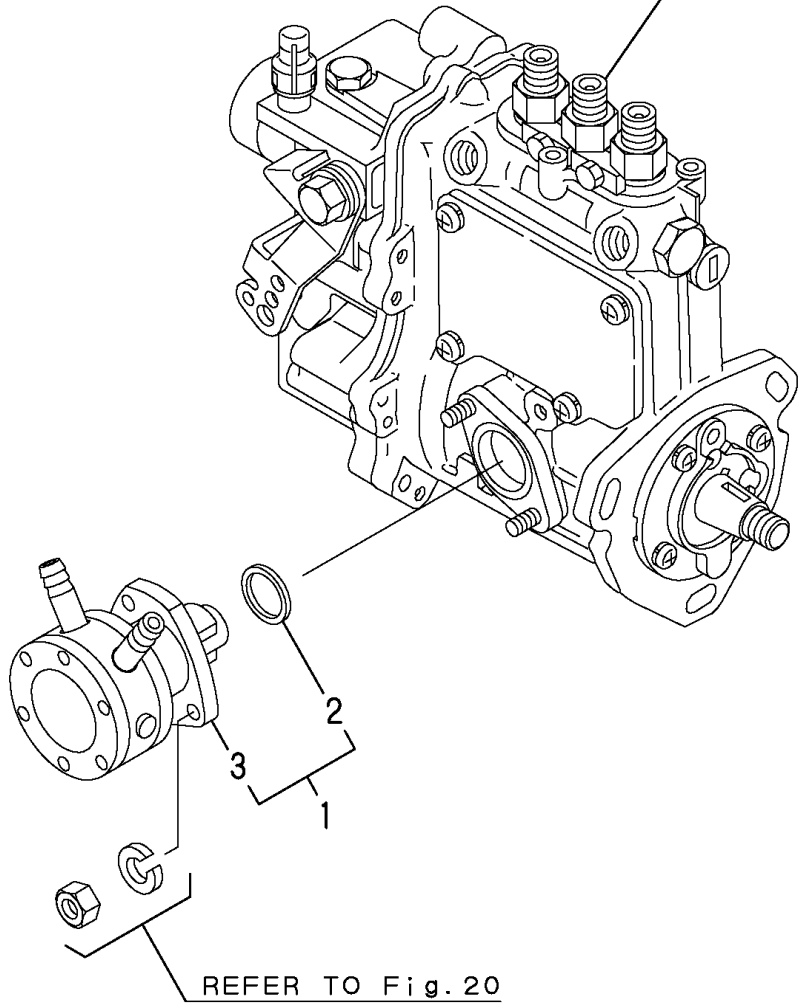
Remarks
 (1)SELECTION USE PARTS.:
 CERTAIN THE CLASSIFICATION MARK,
 THEN PLACE YOUR ORDER.
 (REFER TO ILLUSTRATION)
 (2)REPAIR PART.

REF.	LEV.	PARTS NO.	DESCRIPTION	QTY						I	R
				(A)	(B)	(C)	(D)	(E)	(F)		
2	2	119717-61050	GASKET, CASE	1							
3	2	119717-61060	CASE, GOVERNOR	1							
4	2	119717-61070	GASKET, COVER	1							
5	2	119717-61100	CASE ASSY, GOVERNOR	1							
6	3	129155-51280	O-RING S6	1							
8	3	119717-61120	LINK, L=29.3	1							1
9	3	119717-61130	LINK, L=29.8	1							1
10	3	119717-61140	LINK, L=28.8	1							1
11	3	129209-61370	NUT M6	1							
12	3	129052-61390	SHAFT, GOV. LEVER	1							
13	3	119717-61400	SHAFT ASSY, CONTROL	1							
20	3	119717-61440	LEVER, CONTROL	1							
21	3	129155-61450	BOLT, REVOL. LIMIT	1							
22	3	129156-61460	SHIM T=0.6	1							
23	3	129155-61480	SPACER ASSY	1							
29	3	119717-61500	LEVER ASSY, GOVERNOR	1							
30	4	174307-51700	SHIM SET	2							
49	4	129486-61540	SPRING, SET	1							
59	3	129100-61650	SPRING, FUEL CONTROL	1							
60	3	158552-61700	SHIM ASSY	1							
64	3	158552-61710	SHIM T=1.0	1							
65	3	119660-61901	RETAINER, SHAFT	1							
66	3	22190-100002	SEAL WASHER 10S	1							
67	3	22272-000030	RING, 3	1							
68	3	23887-100002	PLUG 10	1							
69	3	24341-000070	O-RING 1A S-7.0	1							
70	3	26106-060102	BOLT M 6X 10 PLATED	1							
71	3	26366-080002	NUT M 8	1							
72	2	119717-61200	WEIGHT ASSY	1							
76	2	119660-61300	NUT, GOVERNOR WEIGHT	1							
77	2	129155-61341	SLEEVE	1							
78	2	129155-61460	BOLT, IDLE LIMIT	1							
79	2	22190-120002	SEAL WASHER 12	2							
80	2	22372-040000	SNAP PIN 4	1							
81	2	24341-000280	O-RING 1A S-28.0	1							
82	2	26106-060102	BOLT M 6X 10 PLATED	4							
83	2	26106-060142	BOLT M 6X 14 PLATED	2							
84	2	26106-060202	BOLT M 6X 20 PLATED	4							
85	2	26106-060452	BOLT M 6X 45 PLATED	3							
86	2	26736-120002	NUT M12	1							
87	2	26756-060002	LOCK NUT 6	1							
88	2	158601-61760	LIMITER ASSY, FUEL	1							
96	2	128990-61560	ANGLEICH ASSY	1							
129	2	129100-61730	SPRING	1							
130	2	129209-61930	CAP NUT	1							
131	2	129209-61970	PLATE	1							
132	2	129271-77950	SOLENOID, STOP	1							
133	2	23414-120016	GASKET 12	1							
134	1	129209-61940	CASE ASSY	1							
136	2	129209-61960	CASE	1							2
137	2	24311-000150	O-RING 1A P-15.0	1							
139	1	119285-66650	CAP, HIGH-IDLE	1							2

Fig.22.FUEL FEED PUMP

(A)=3YM30 (D)=
 (B)= (E)=
 (C)= (F)=

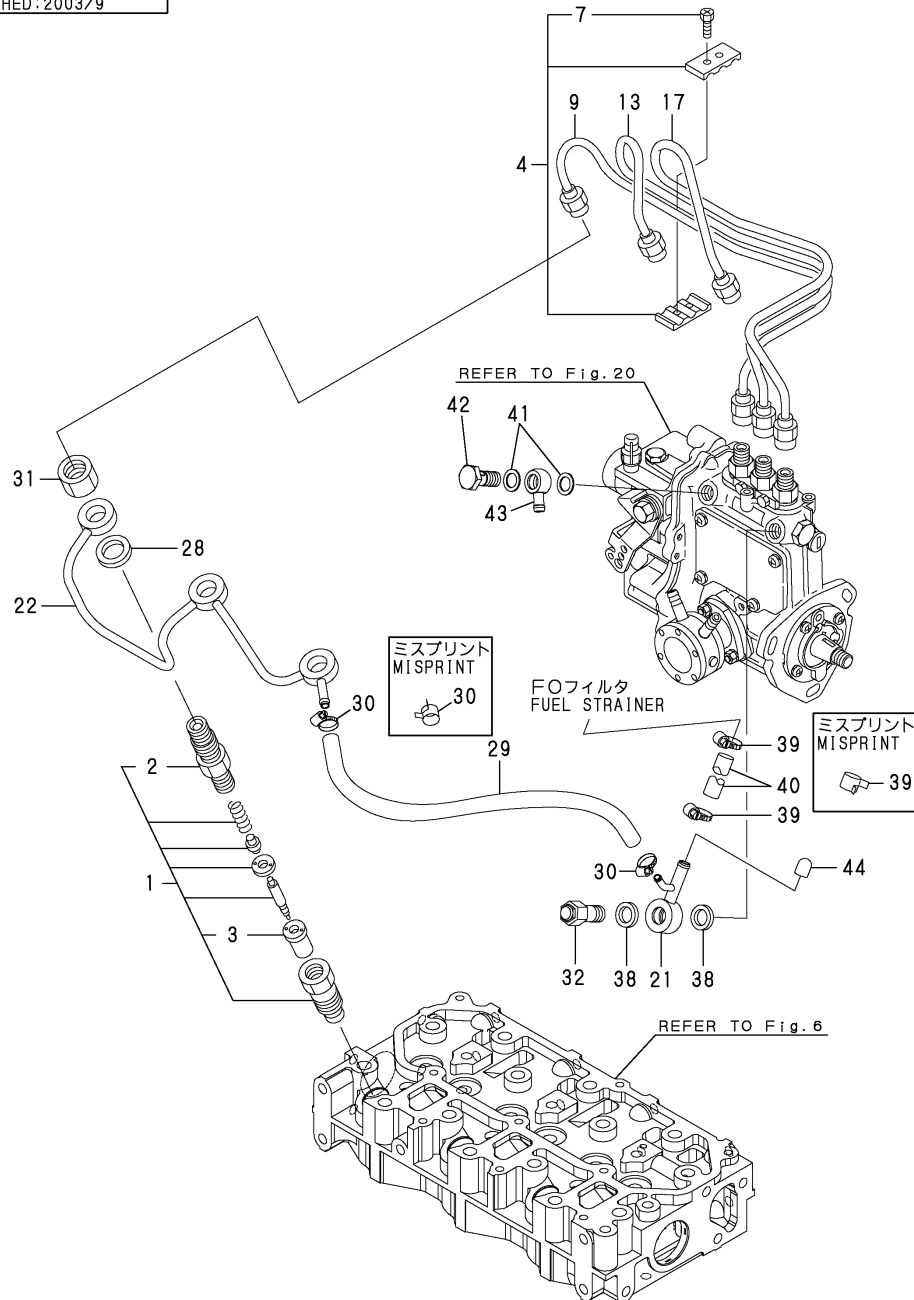
REFER TO Fig. 20



REF.	LEV.	PARTS NO.	DESCRIPTION	QTY						I	R	
				(A)	(B)	(C)	(D)	(E)	(F)			
1	2	129158-52000	PUMP ASSY, FUEL FEED	1								
2	3	129155-52051	GASKET	1								
3	3	129158-52100	FEED PUMP ASSY	1								

Fig.23.FUEL INJECTION VALVE

P/C NEWS No:Y00R5600-1
PUBLISHED:2003/9



Y00R5600 23.FUEL INJECTION VALVE

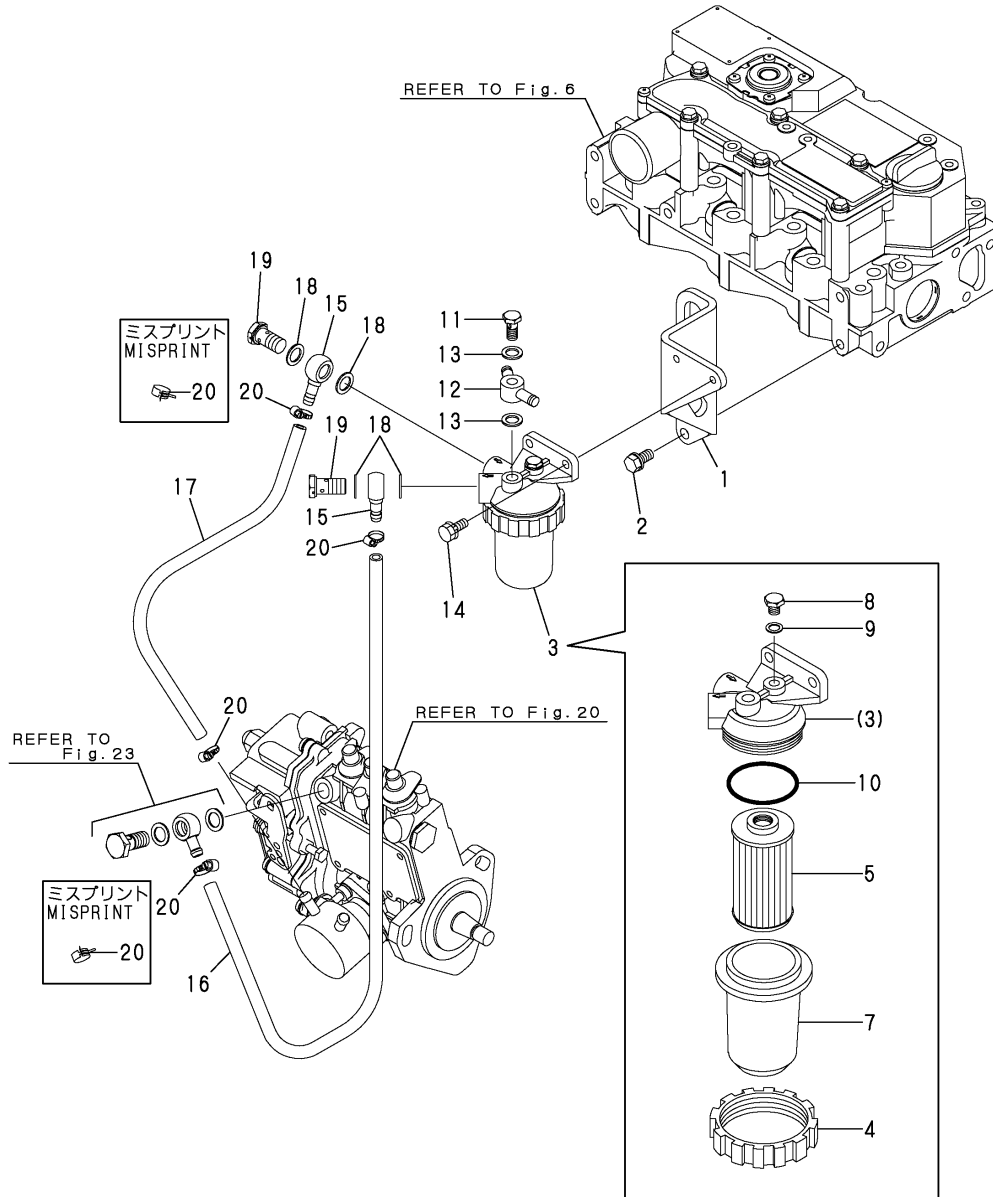
(A)=3YM30 (D)=
(B)= (E)=
(C)= (F)=

REF.	LEV.	PARTS NO.	DESCRIPTION	QTY						I	R
				(A)	(B)	(C)	(D)	(E)	(F)		
1	1	119515-53000	VALVE ASSY,INJECTION	3							
2	2	118200-53010	HOLDER, NOZZLE	3							
3	2	119515-53010	NOZZLE ASSY	3							
4	1	129150-59120	RETAINER, INJ. PIPE	1							
7	2	129150-59131	BOLT M4X14,HEX.SCKT.	2							
9	1	119717-59810	PIPE, FUEL INJECTION	1							
13	1	119717-59820	PIPE, FUEL INJECTION	1							
17	1	119717-59830	PIPE, FUEL INJECTION	1							
21	1	119840-59570	JOINT	1							
22	1	119717-59510	PIPE ASSY, RETURN	1							
28	1	129901-59560	GASKET, RETURN	3							
29	1	119773-59511	PIPE,FUEL	1							
30	1	23000-016000	CLAMP 16	2							
31	1	119620-59700	NUT	3							
32	1	119813-59950	VALVE ASSY, CHECK	1							
38	1	22190-120002	SEAL WASHER 12	2							
39	1	23000-016000	CLAMP 16	2							
40	1	128370-59040	PIPE, FUEL OIL	1							
41	1	22190-120002	WASHER,SEAL 12	2							
42	1	103854-39140	BOLT, PIPE JOINT	1							
43	1	101304-59020	JOINT 12, PIPE	1							
44	1	119309-59590	CAP	4							

Fig.24.FUEL PIPE & FUEL STRAINER

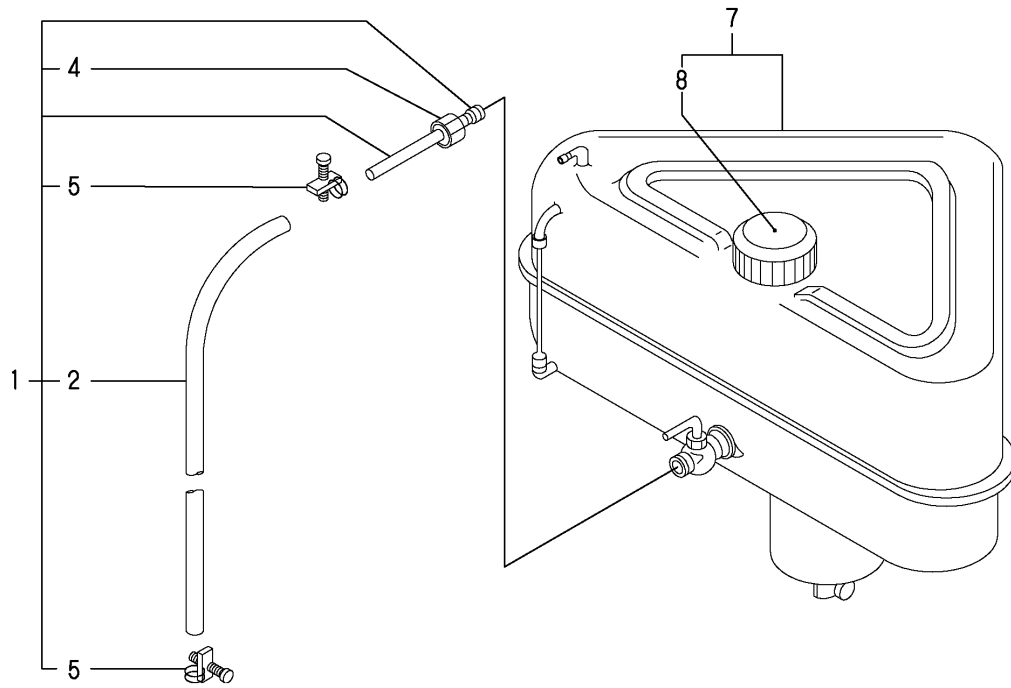
P/C NEWS No:Y00R5600-1
PUBLISHED:2003/9

(A)=3YM30 (D)=
(B)= (E)=
(C)= (F)=



REF.	LEV.	PARTS NO.	DESCRIPTION	QTY						I	R
				(A)	(B)	(C)	(D)	(E)	(F)		
1	1	128990-55010	BRACKET, FO FILTER	1							
2	1	26106-080162	BOLT M 8X 16 PLATED	2							
3	1	128990-55600	STRAINER ASSY	1							
4	2	110250-55610	RING, RETAINING	1							
5	2	104500-55710	ELEMENT, FUEL	1							
7	2	121370-55730	CUP, STRAINER	1							
8	2	101720-55750	PLUG, 6	1							
9	2	23418-060000	GASKET 6, NYLON	1							
10	2	24341-000440	O-RING 1A S-44.0	1							
11	1	128990-59150	BOLT, PIPE JOINT M8	1							
12	1	128990-59530	JOINT, FO RETURN	1							
13	1	22190-080002	SEAL WASHER 8S	2							
14	1	26013-060162	BOLT M 6X 16	2							
15	1	104264-59020	JOINT, BALL	2							
16	1	119172-59201	PIPE,FUEL	1							
17	1	129470-59542	PIPE, FUEL OIL	1							
18	1	22190-120002	WASHER,SEAL 12	4							
19	1	23857-060000	JOINT BOLT 6	2							
20	1	23000-016000	CLAMP 16	4							

Fig.25.FUEL TANK(OPTIONAL)

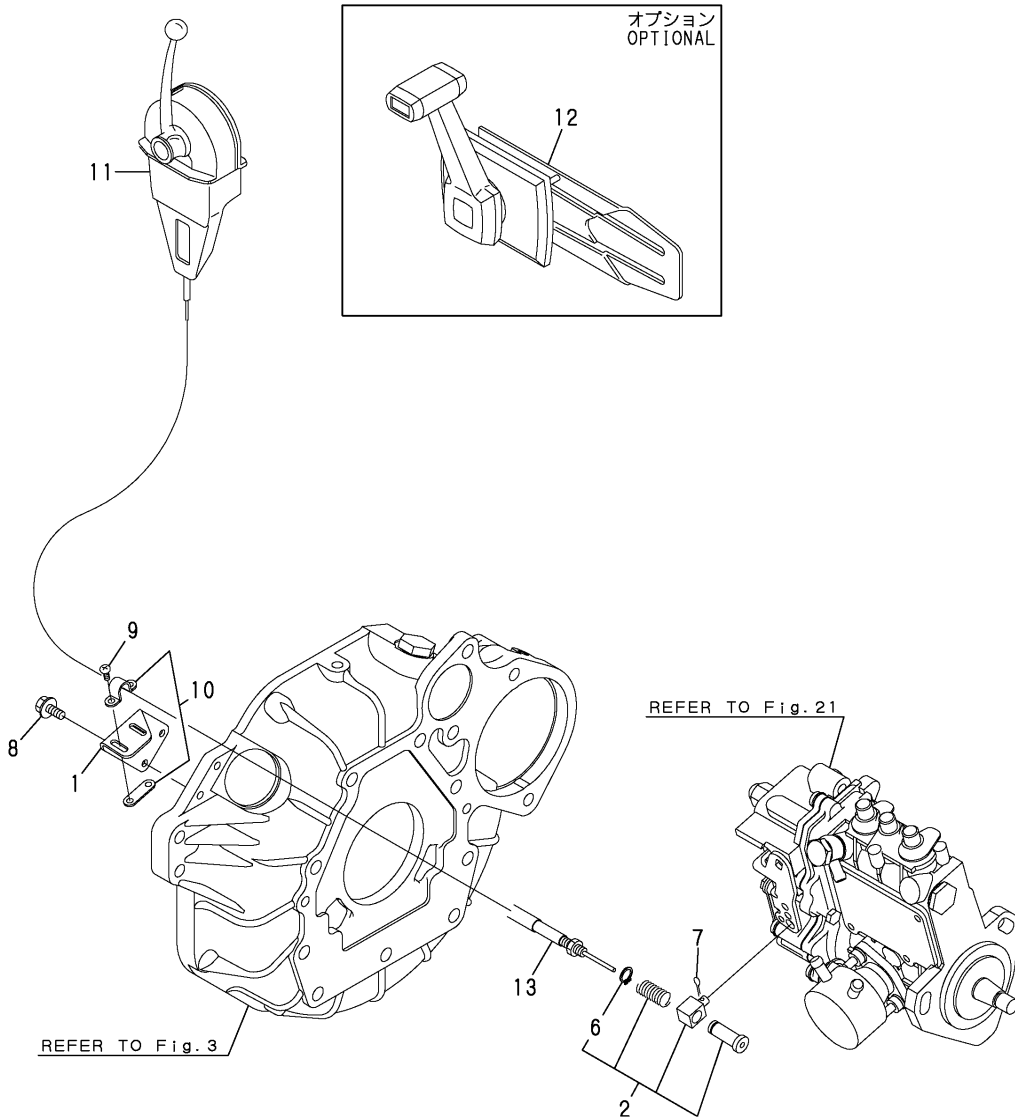


(A)=3YM30 (D)=
 (B)= (E)=
 (C)= (F)=

REF.	LEV.	PARTS NO.	DESCRIPTION	Q'TY						I	R
				(A)	(B)	(C)	(D)	(E)	(F)		
1	1	124070-59060	PIPE, FUEL OIL	1							
2	2	124070-59130	PIPE, FUEL OIL 2M	1							
4	2	138603-59380	CAP NUT	1							
5	2	23010-014000	CLAMP 14	2							
7	1	83213-003012	TANK (30L), FUEL	1							
8	2	105430-55041	CAP, FUEL TANK	1							

Fig.26.CABLE SUPPORT

(A)=3YM30 (D)=
 (B)= (E)=
 (C)= (F)=



REF.	LEV.	PARTS NO.	DESCRIPTION	QTY						I	R
				(A)	(B)	(C)	(D)	(E)	(F)		
1	1	128990-67150	BRACKET, CABLE	1							
2	1	129470-67200	RETAINER, JOINT	1							
6	2	22242-000100	CIRCLIP 10	1							
7	1	22360-080000	PIN, 8	1							
8	1	26106-060122	BOLT M 6X 12 PLATED	2							
9	1	26557-050122	SCREW M 5X 12	2							
10	1	41710-000410	CLAMP	1							
11	1	41730-000681	MT-3 REMO-CON	1							
12	1	128170-86501	REMOCON HEAD (MN)	1							
13	1	41710-000380	CABLE L=4000	2							

Fig.27.CLUTCH

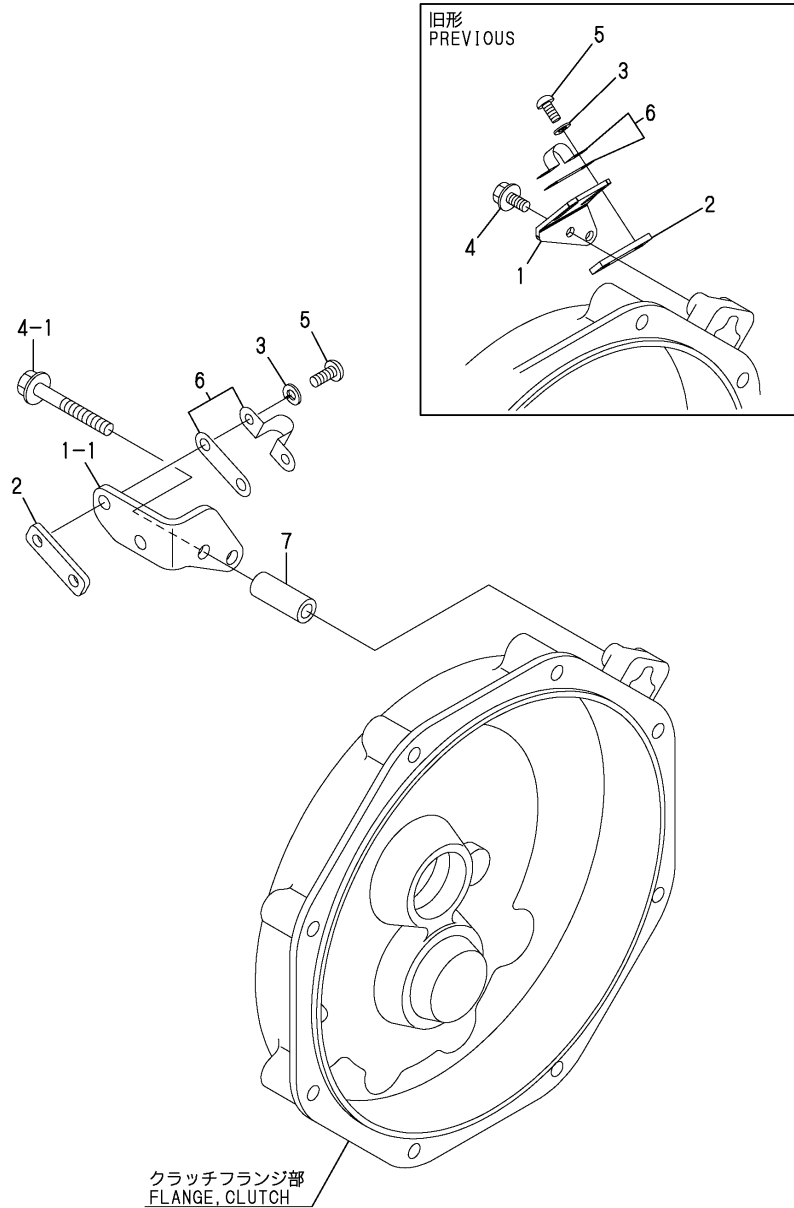
(A)=3YM30 (D)=
(B)= (E)=
(C)= (F)=

REF.	LEV.	PARTS NO.	DESCRIPTION	Q'TY						I	R
				(A)	(B)	(C)	(D)	(E)	(F)		
1	1	128171-81310	CLUTCH KM2P-1 I=2.21	1							
2	1	128171-81320	CLUTCH KM2P-1 I=2.62	1							
3	1	128171-81330	CLUTCH KM2P-1 I=3.22	1							
4	1	26106-080422	BOLT M 8X 42 PLATED	7							
5	1	26216-080452	STUD M 8X 45 PLATED	1							
6	1	26366-080002	NUT M 8	1							

Remarks PARTS LISTED IN THIS FIGURE ARE NOT ILLUSTRATED.

Fig.28.CLUTCH REMOTE CONTROL

P/C NEWS No.:Y00R5600-1
PUBLISHED:2003/9

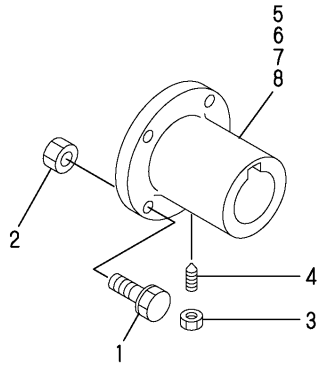


(A)=3YM30 (D)=
(B)= (E)=
(C)= (F)=

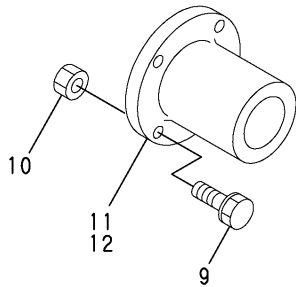
REF.	LEV.	PARTS NO.	DESCRIPTION	QTY						I	R	
				(A)	(B)	(C)	(D)	(E)	(F)			
1	1	128990-86300	BRACKET, CABLE	1								
I 1-1	1	128990-86301	BRACKET, CABLE	1								N
(A=FROM 1ST)												
2	1	121574-86320	RETAINER	1								
3	1	22212-050000	WASHER, 5	2								
4	1	26106-060142	BOLT M 6X 14 PLATED	2								
I 4-1	1	26106-060452	BOLT M 6X 45 PLATED	2								N
(A=FROM 1ST)												
5	1	26557-050122	SCREW M 5X 12	2								
6	1	41710-000410	CLAMP	1								
I 7	1	128990-86350	SPACER, BRACKET	2								W
(A=FROM 1ST)												

Fig.29.COUPLING(OPTIONAL)

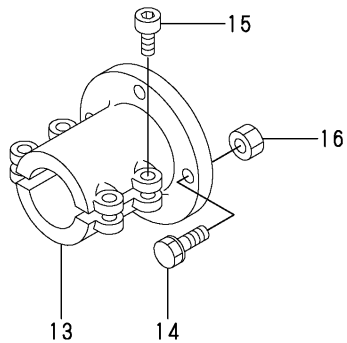
テーパカップリング
TAPER COUPLING



ストレートカップリング
STRAIGHT COUPLING



スリットカップリング
SLIT COUPLING

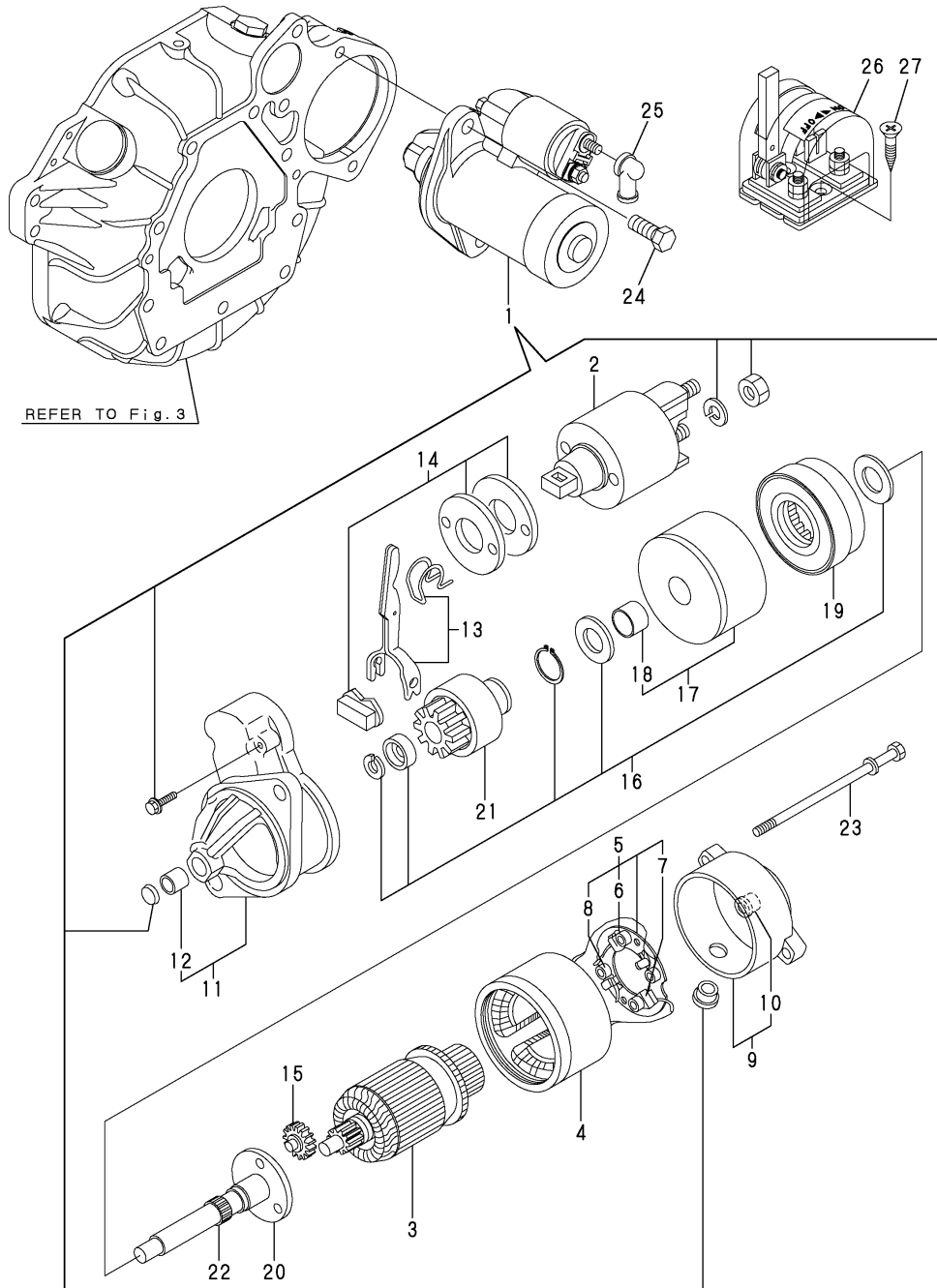


(A)=3YM30 (D)=
(B)= (E)=
(C)= (F)=

REF.	LEV.	PARTS NO.	DESCRIPTION	QTY						I	R	
				(A)	(B)	(C)	(D)	(E)	(F)			
1	1	26106-100322	BOLT M10X 32 PLATED	4								
2	1	26706-100002	NUT M10	4								
3	1	26756-080002	LOCK NUT M 8 PLATED	1								
4	1	48110-032411	SCREW	1								
5	1	48110-522361	COUPLING 22, TAPER	1								
6	1	48110-025063	COUPLING 25, TAPER	1								
7	1	48110-028063	COUPLING 28, TAPER	1								
8	1	48110-032502	COUPLING 30, TAPER	1								
9	1	26106-100322	BOLT M10X 32 PLATED	4								
10	1	26706-100002	NUT M10	4								
11	1	45414-500260	COUPLING (16)	1								
12	1	105583-85900	COUPLING 22	1								
13	1	104214-83980	COUPLING (20), SLIT	1								
14	1	26106-100322	BOLT M10X 32 PLATED	4								
15	1	26450-080282	BOLT M 8X 28	4								
16	1	26706-100002	NUT M10	4								

(A)=3YM30 (D)=
 (B)= (E)=
 (C)= (F)=

Fig.30.STARTING MOTOR

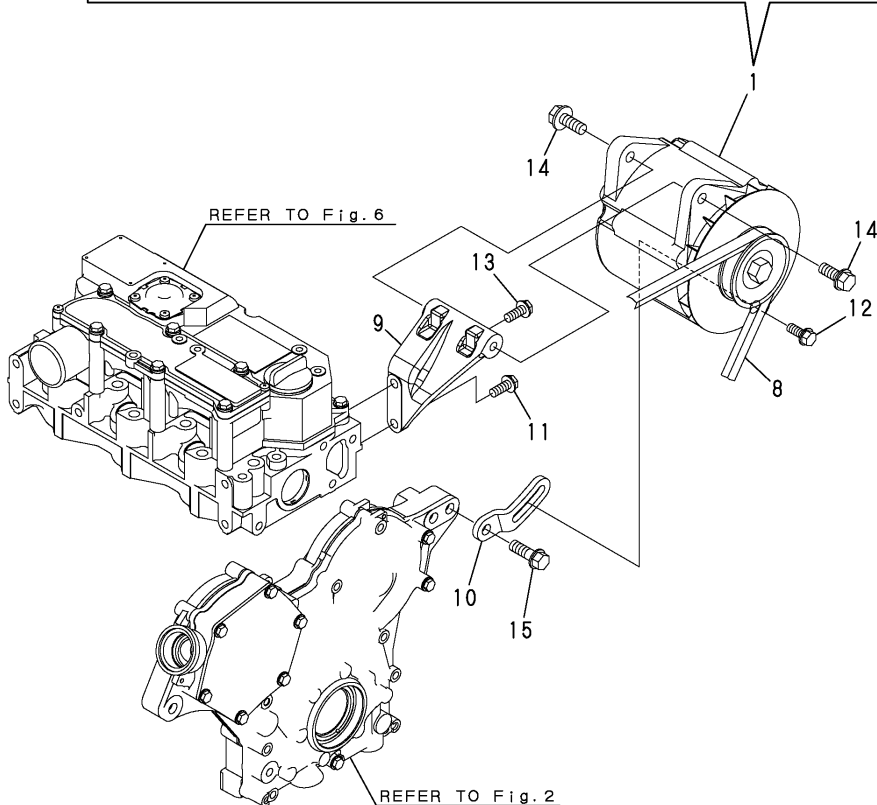
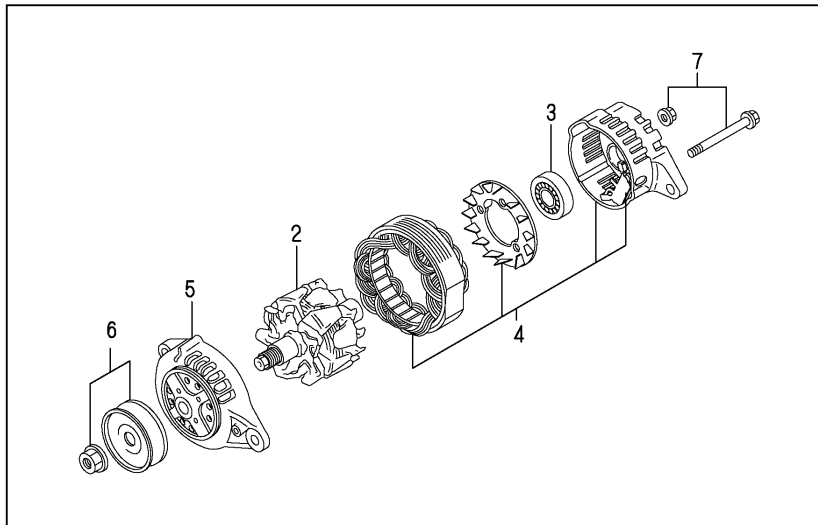


REF.	LEV.	PARTS NO.	DESCRIPTION	QTY						I	R
				(A)	(B)	(C)	(D)	(E)	(F)		
1	1	129608-77010	STARTING MOTOR	1							
2	2	129698-77020	MAGNETIC SWITCH ASSY	1							
3	2	129698-77101	ARMATURE ASSY	1							
4	2	129608-77110	YOKE ASSY	1							
5	2	129698-77120	HOLDER ASSY,BRUSH	1							
6	3	129698-77140	BRUSH(+) SET	1							
7	3	129698-77130	BRUSH (-)	2							
8	3	129698-77150	SPRING, BRUSH	4							
9	2	129698-77161	COVER ASSY, REAR	1							
10	3	129698-77170	REAR COVER METAL	1							
11	2	129698-77260	HOUSING ASSY, GEARS	1							
12	3	X2114535200	METAL, STARTER	1							
13	2	129698-77270	LEVER, SHIFT	1							
14	2	129698-77280	COVER ASSY, DUST	1							
15	2	129698-77240	GEAR	3							
16	2	129698-77250	WASHER SET	1							
17	2	129698-77180	BRACKET	1							
18	3	129698-77190	BRACKET	1							
19	2	129698-77200	INTERNAL GEAR	1							
20	2	129698-77210	BRACKET	1							
21	2	129698-77220	PINION ASSY	1							
22	2	129698-77230	SHAFT(PINION)	1							
23	2	124195-77770	THROUGH BOLT	2							
24	1	26116-120302	BOLT M12X 30 PLATED	2							
25	1	124550-77030	COVER, TERMINAL	1							
26	1	123310-77640	SWITCH, BATTERY	1							
27	1	22724-800380	SCREW 8X 38	2							

Fig.31.GENERATOR

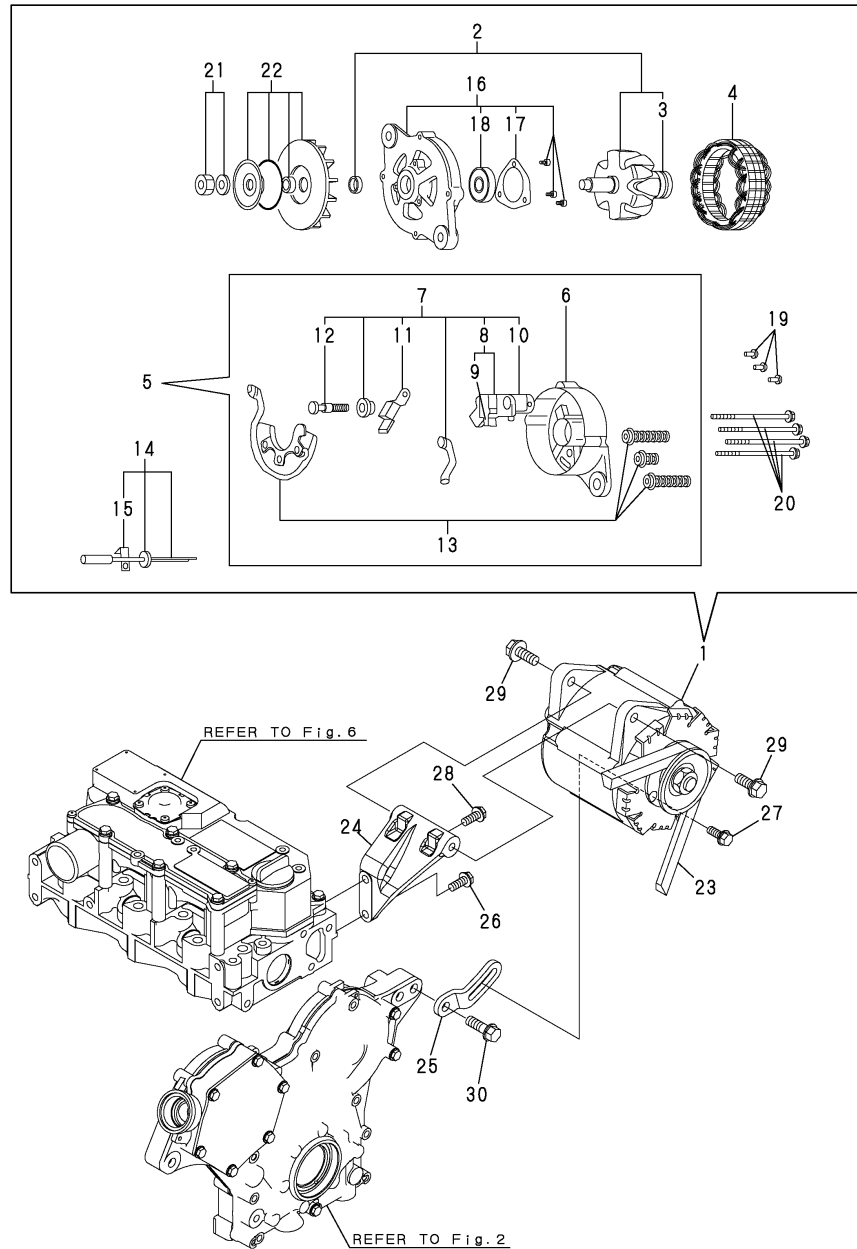
(A)=3YM30 (D)=
 (B)= (E)=
 (C)= (F)=

REF.	LEV.	PARTS NO.	DESCRIPTION	QTY						I	R
				(A)	(B)	(C)	(D)	(E)	(F)		
1	1	128271-77200	GENERATOR 12V-60A	1							
2	2	123900-77700	ROTOR ASSY	1							
3	2	129612-77710	BALL BEARING	1							
4	2	128271-77720	REAR BRACKET ASSY	1							
5	2	123900-77730	FRONT BRACKET ASSY	1							
6	2	128271-77740	PULLEY	1							
7	2	128271-77750	SCREW KIT	1							
8	1	119831-42290	V-BELT A37.5	1							
9	1	128990-77310	BRACKET,ALTERNATOR	1							
10	1	128990-77330	ADJUSTER, BELT	1							
11	1	26106-080202	BOLT M 8X 20 PLATED	1							
12	1	26106-080202	BOLT M 8X 20 PLATED	1							
13	1	26106-080252	BOLT M 8X 25 PLATED	1							
14	1	26106-100252	BOLT M10X 25 PLATED	2							
15	1	26106-100302	BOLT M10X 30 PLATED	1							



(A)=3YM30 (D)=
 (B)= (E)=
 (C)= (F)=

Fig.32.GENERATOR(80A/OPTIONAL)

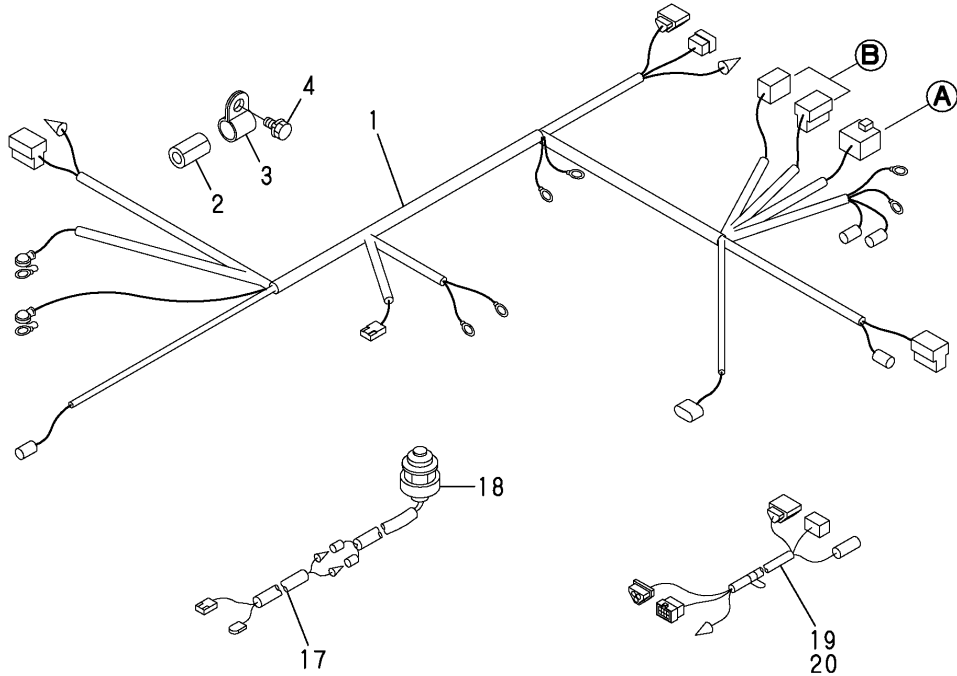
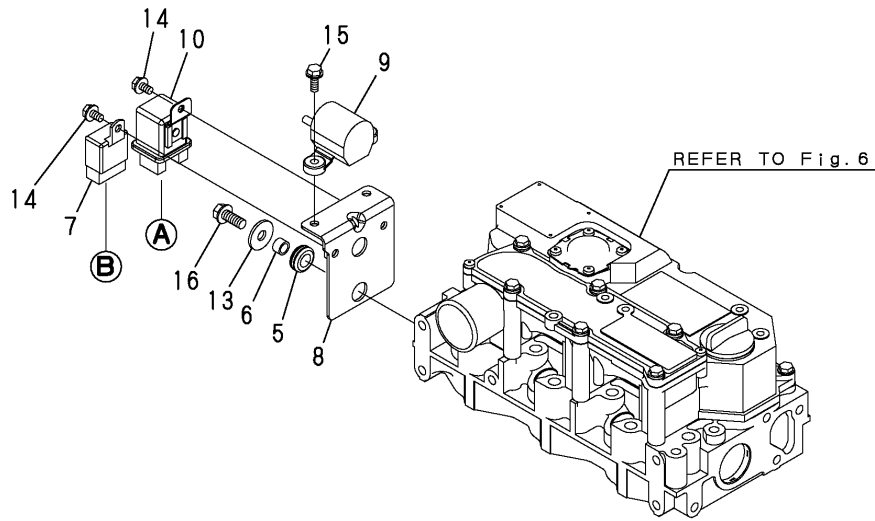


REF.	LEV.	PARTS NO.	DESCRIPTION	QTY						I	R
				(A)	(B)	(C)	(D)	(E)	(F)		
1	1	119573-77201	ALTERNATOR(12V-80A	1							
2	2	XL180G61000	ROTOR ASSY	1							
3	3	119129-77320	BALL BEARING	1							
4	2	XL180120000	STATOR ASSY	1							
5	2	XL180G63006	COVER ASSY, REAR	1							
6	3	XL180G13012	COVER, REAR	1							
7	3	XL180G43150	BRUSH ASSY,REGULATOR	1							
8	4	XL155G1330	BRUSH ASSY	1							1
9	4	XL225G1325	BRUSH SET	2							
10	4	124080-77390	REGULATOR ASSY	1							
11	4	XL225431800	CONDENSER	1							
12	4	124080-77520	BOLT M5	2							
13	3	XL1808320	DIODE ASY	1							
14	3	119129-77250	WIRE	1							
15	4	119129-77260	CLAMP,LEAD WIRE	1							
16	2	XL235340110	COVER ASSY, FRONT	1							
17	3	XL150M14041	RETAINER	1							
18	3	X6303BM0000	BALL BEARING	1							
19	3	119129-77930	SCREW KIT	1							
20	2	119129-77890	BOLT, THROUGH	4							
21	2	119129-77900	NUT ASSY, PULLEY	1							
22	2	XL180G85001	PULLEY ASSY	1							
23	1	119831-42290	V-BELT A37.5	1							
24	1	128990-77310	BRACKET,ALTERNATOR	1							
25	1	128990-77330	ADJUSTER, BELT	1							
26	1	26106-080202	BOLT M 8X 20 PLATED	1							
27	1	26106-080202	BOLT M 8X 20 PLATED	1							
28	1	26106-080252	BOLT M 8X 25 PLATED	1							
29	1	26106-100252	BOLT M10X 25 PLATED	2							
30	1	26106-100302	BOLT M10X 30 PLATED	1							

Remarks
 (1)INC.9

(A)=3YM30 (D)=
 (B)= (E)=
 (C)= (F)=

Fig.33.WIRE HARNESS & RELAY



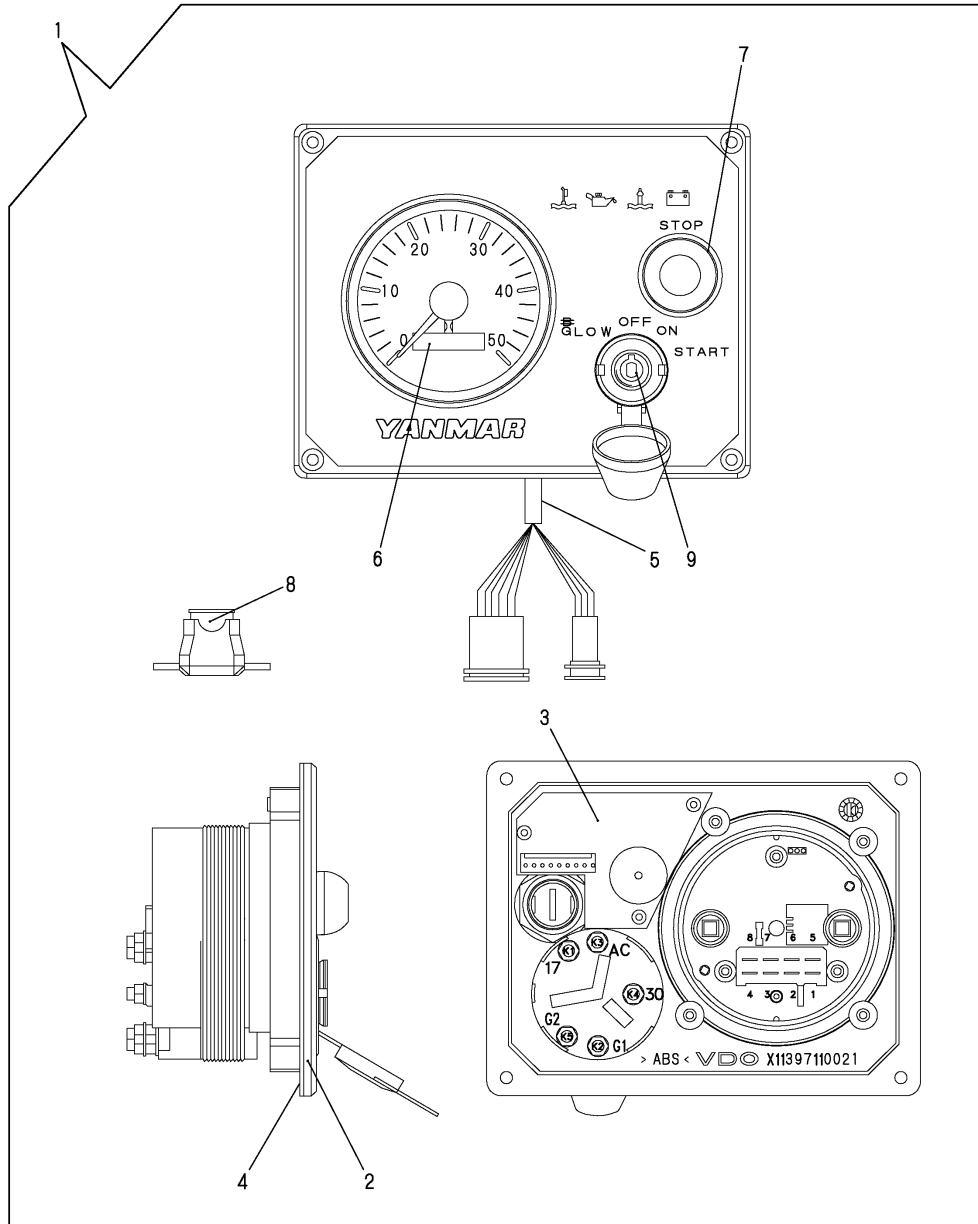
REF.	LEV.	PARTS NO.	DESCRIPTION	QTY						I	R
				(A)	(B)	(C)	(D)	(E)	(F)		
1	1	128990-77900	HARNESS, WIRE	1							
2	1	124770-77940	PROTECTOR	1							
3	1	124070-77950	CLAMP	1							
4	1	26106-080142	BOLT M 8X 14 PLATED	1							
5	1	105100-55501	GROMMET	2							
6	1	105100-55540	COLLAR, FUEL TANK	2							
7	1	119247-77100	RELAY, SAFETY	1							
8	1	128990-77400	BRACKET,RELAY	1							
9	1	120270-77511	RELAY, MAGNET	1							
10	1	128990-77910	RELAY ASSY, GLOW	1							
13	1	22157-080000	WASHER 8	2							
14	1	26106-060102	BOLT M 6X 10 PLATED	2							
15	1	26106-060162	BOLT M 6X 16 PLATED	2							
16	1	26106-080202	BOLT M 8X 20 PLATED	2							
17	1	177074-06350	HARNESS, WIRE	1							1
18	1	120270-77101	SWITCH	1							1
19	1	128391-77700	HARNESS, WIRE(3M	1							1
20	1	128391-77720	HARNESS, WIRE(6M	1							1

Remarks
 (1)OPTIONAL

(A)=3YM30 (D)=
 (B)= (E)=
 (C)= (F)=

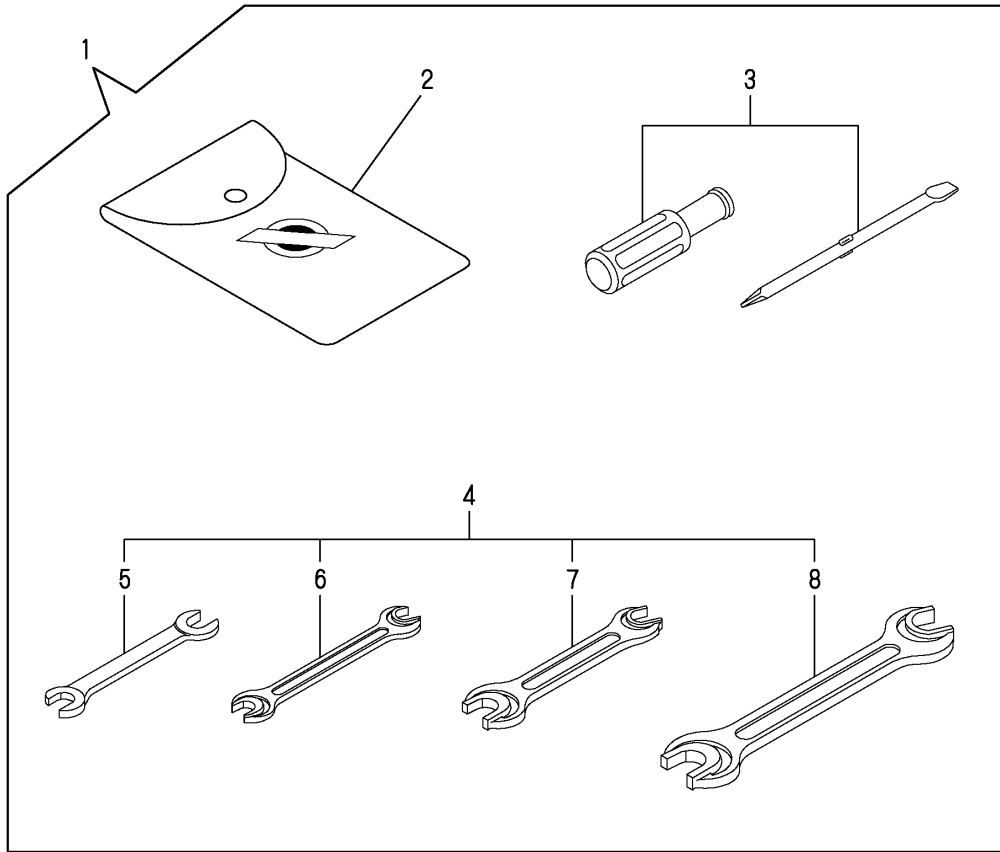
Fig.34.INSTRUMENT PANEL(B-TYPE/OPTION

P/C NEWS No:Y00R5600-1
 PUBLISHED:2003/9



REF.	LEV.	PARTS NO.	DESCRIPTION	QTY						I	R	
				(A)	(B)	(C)	(D)	(E)	(F)			
1	1	129271-91110	PANEL, INSTRUMENT B	1								
2	2	129271-91120	PANEL WITH COVERFOIL	1								
3	2	129271-91130	CIRCUIT WITH LED&BZR	1								
4	2	129271-91140	RUBBER SEAL,B PANEL	1								
5	2	129271-91150	HARNES,B PANEL	1								
6	2	129271-91210	TACHOMETER	1								
7	2	129271-91220	STOP SWITCH	1								
8	2	129271-91230	FUSE,PANEL (3A)	1								
9	2	127412-91250	SWITCH W/KEY	1								

Fig.35.TOOL



(A)=3YM30 (D)=
 (B)= (E)=
 (C)= (F)=

REF.	LEV.	PARTS NO.	DESCRIPTION	Q'TY						I	R
				(A)	(B)	(C)	(D)	(E)	(F)		
1	1	129270-92100	TOOL BOX SET	1							
2	2	129270-92600	BAG, TOOL	1							
3	2	129270-92650	DRIVER	1							
4	2	129270-92690	SPANNER SET	1							
5	3	129270-92610	SPANNER 10X13	1							
6	3	129270-92620	SPANNER 12X14	1							
7	3	129270-92630	SPANNER 17X19	1							
8	3	129270-92640	SPANNER 22X24	1							