

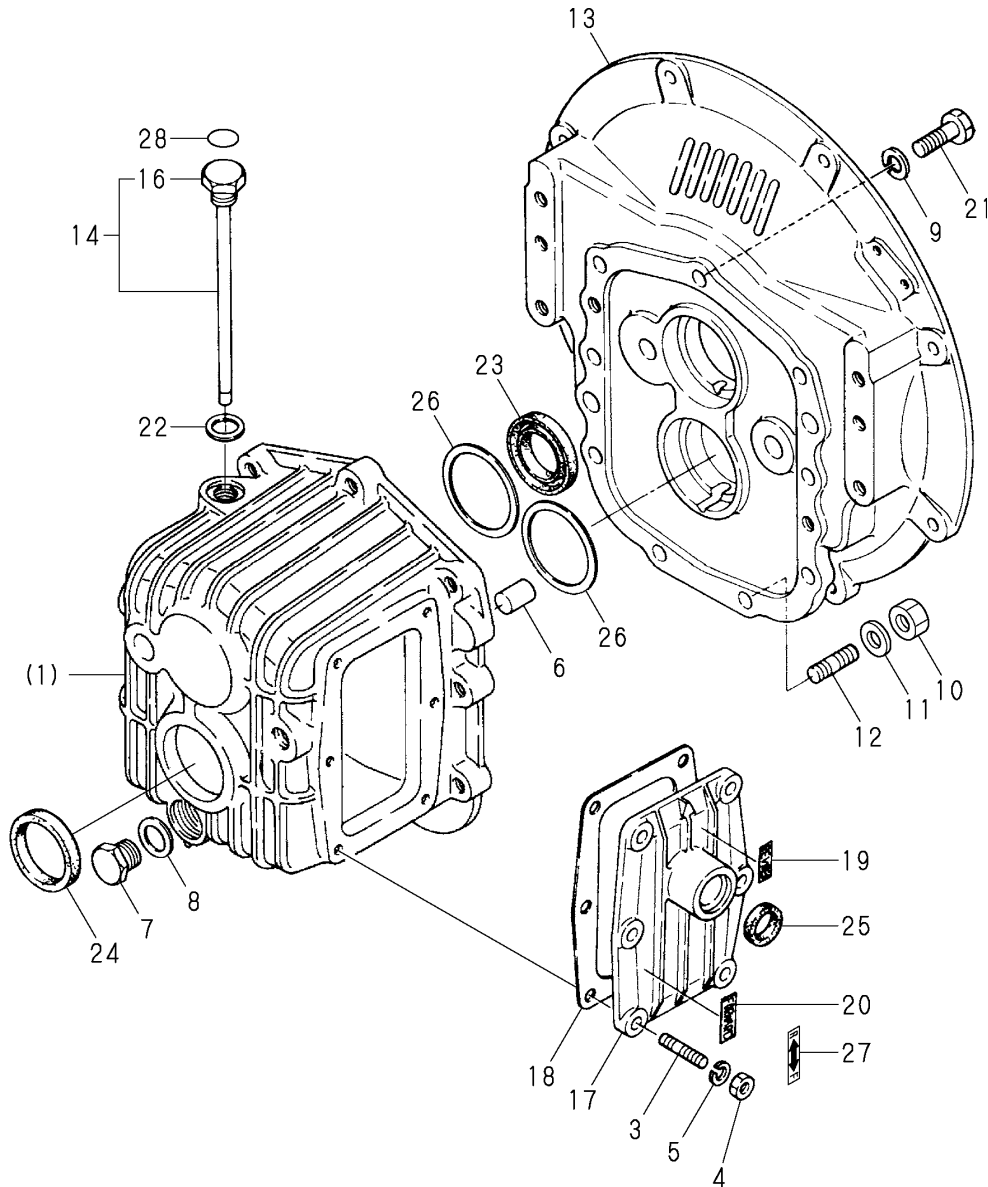


Spare parts catalog- Yanmar engines

- (A) = KBW10-E
- (B) = KBW10-D
- (C) = KBW20
- (D) = KBW20-1
- (E) = KBW21

Fig.1.CLUTCH HOUSING

1 inc.(1) ~ 8



Y00R5470 1.CLUTCH HOUSING

(A)=KBW10-E
(B)=KBW10-D
(C)=KBW20

(D)=KBW20-1
(E)=KBW21
(F)=

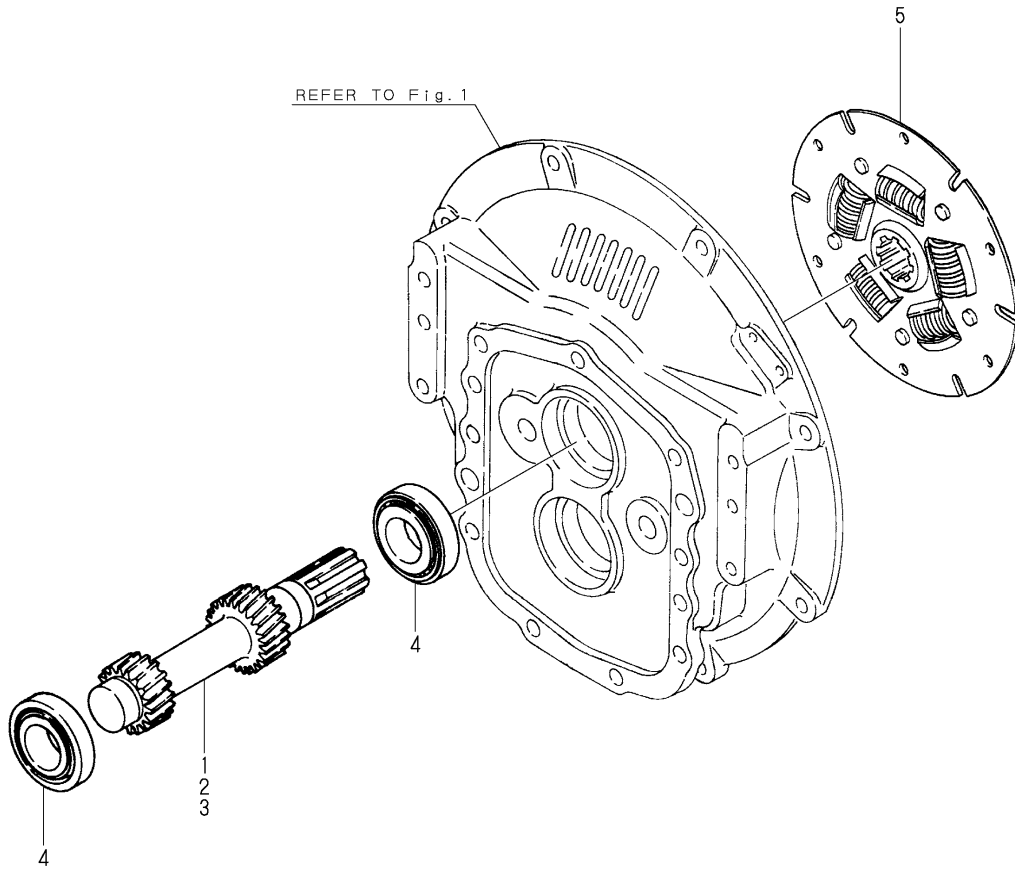
REF.	LEV.	PARTS NO.	DESCRIPTION	QTY						I	R
				(A)	(B)	(C)	(D)	(E)	(F)		
1	1	777099-02550	HOUSING ASSY, CLUTCH	1							
3	2	26216-080222	STUD M 8X 22 PLATED	6							
4	2	26716-080002	NUT M 8	6							
5	2	22287-080000	LOCKING WASHER	6							
6	2	177099-02130	STRAIGHT PIN	2							
7	2	23887-160002	PLUG 16,HEX.	1							
8	2	23414-160021	GASKET 16	1							
9	1	22287-100000	WASHER 10	5							
10	1	26703-100002	NUT M10	4							
11	1	22133-100000	WASHER 10	4							
12	1	26223-100222	STUD M10X 22	4							
13	1	177080-02030	FLANGE, MOUNTING	1							
14	1	177099-02450	DIPSTICK W/BREATHER	1							
16	2	177099-02470	COVER	1							
17	1	177099-02081	COVER, SIDE	1							
18	1	177099-02091	GASKET	1							
I 19	1	177090-02630	LABEL	1							Z
		(A=*1980.11)									
I 20	1	177090-02620	LABEL	1							Z
		(A=*1980.11)									
21	1	26116-100302	BOLT 10X30	5							
22	1	23414-160021	GASKET 16	1							
23	1	177099-02950	SEAL TC30 52 8, OIL	1							
24	1	177099-02960	SEAL TC40 52 8, OIL	1							
25	1	177095-02980	SEAL, OIL	1							
26	1	177099-02250	SHIM SET	2							
I 27	1	177088-02430	LABEL	1							W
		(A=*1980.11)									
I 28	1	177075-02550	LABEL	1							W
		(A=*1994.05)									
I 28-1	1	177075-02551	LABEL,OIL	1							N
		(A=*1995.07)									

Fig.2.INPUT SHAFT

(A)=KBW10-E
(B)=KBW10-D
(C)=KBW20

(D)=KBW20-1
(E)=KBW21
(F)=

REF.	LEV.	PARTS NO.	DESCRIPTION	QTY						I	R
				(A)	(B)	(C)	(D)	(E)	(F)		
1	1	177099-03011	SHAFT, INPUT (I=2)	1							1
2	1	177099-03360	SHAFT,INPUT Z18	1							2
3	1	177099-03411	SHAFT, INPUT (I=3)	1							3
4	1	177099-03920	ROLLER BEARING	2							
5	1	177099-03500	DISK, (NON-ASB.)	1							



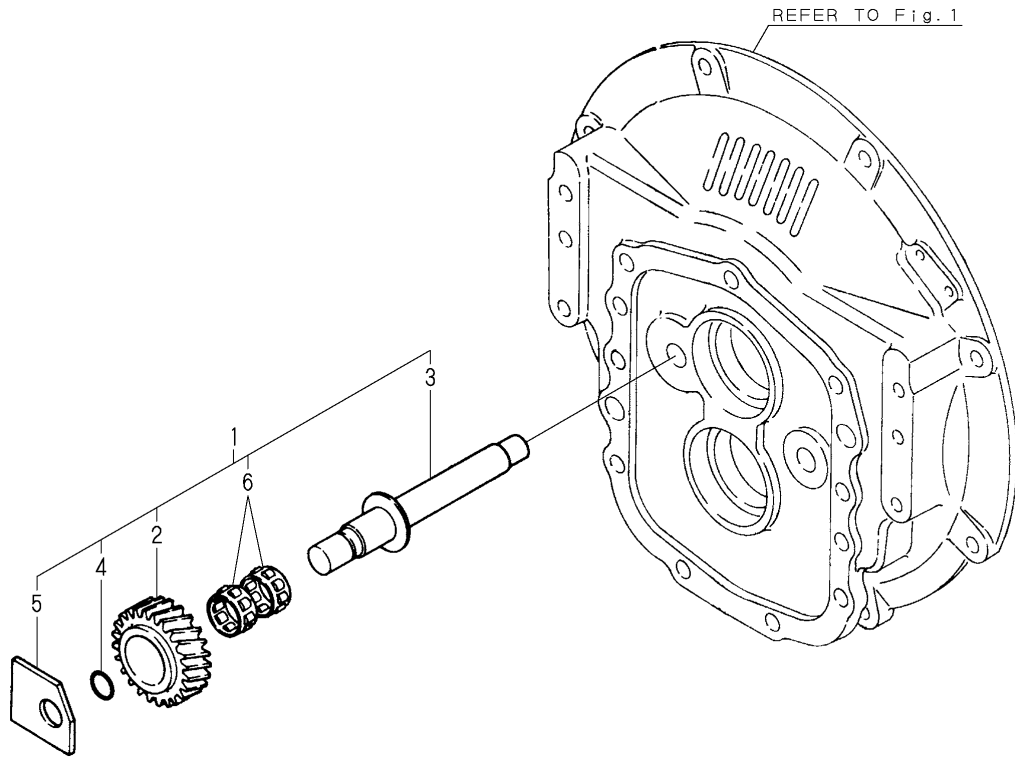
Remarks
 (1)I=2.14
 (2)I=2.45
 (3)I=2.83

Fig.3.SUPPORT SHAFT

Y00R5470 3.SUPPORT SHAFT

(A)=KBW10-E
(B)=KBW10-D
(C)=KBW20

(D)=KBW20-1
(E)=KBW21
(F)=

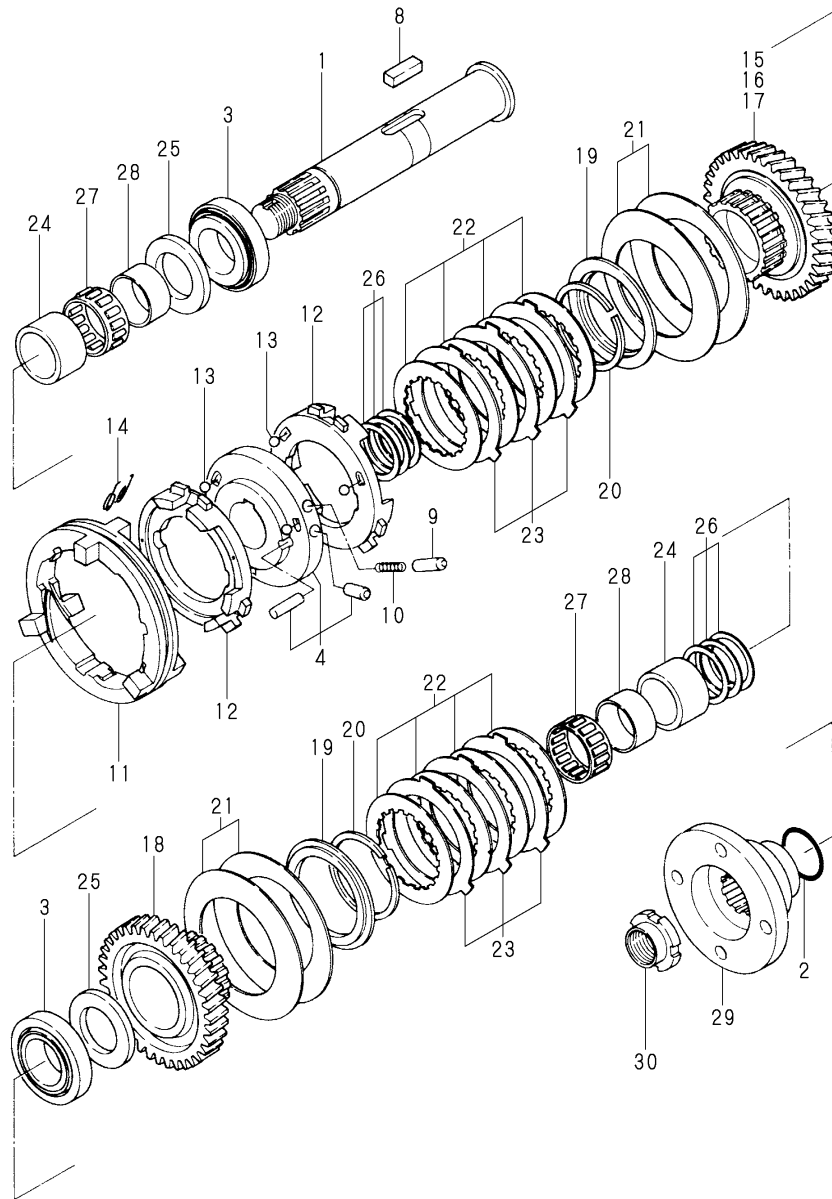


REF.	LEV.	PARTS NO.	DESCRIPTION	QTY						I	R
				(A)	(B)	(C)	(D)	(E)	(F)		
1	1	777099-03021	SHAFT ASY, IDLE GEAR	1							
2	2	177099-03301	GEAR (Z=25), IDLE	1							
3	2	177099-03980	SHAFT	1							
4	2	24341-000150	O-RING 1A S-15.0	1							
5	2	177099-03321	WASHER, THRUST	1							
6	2	177099-03901	NEEDLE BEARING	2							

Fig.4.OUTPUT SHAFT

(A)=KBW10-E
(B)=KBW10-D
(C)=KBW20

(D)=KBW20-1
(E)=KBW21
(F)=



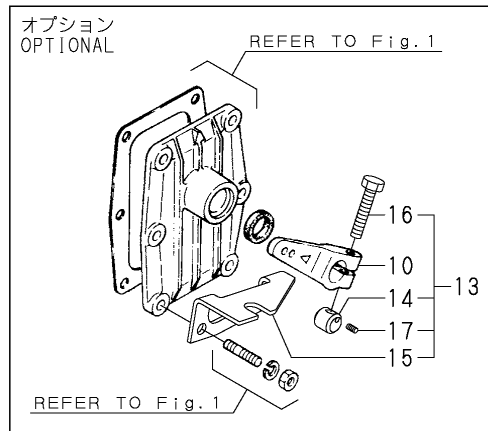
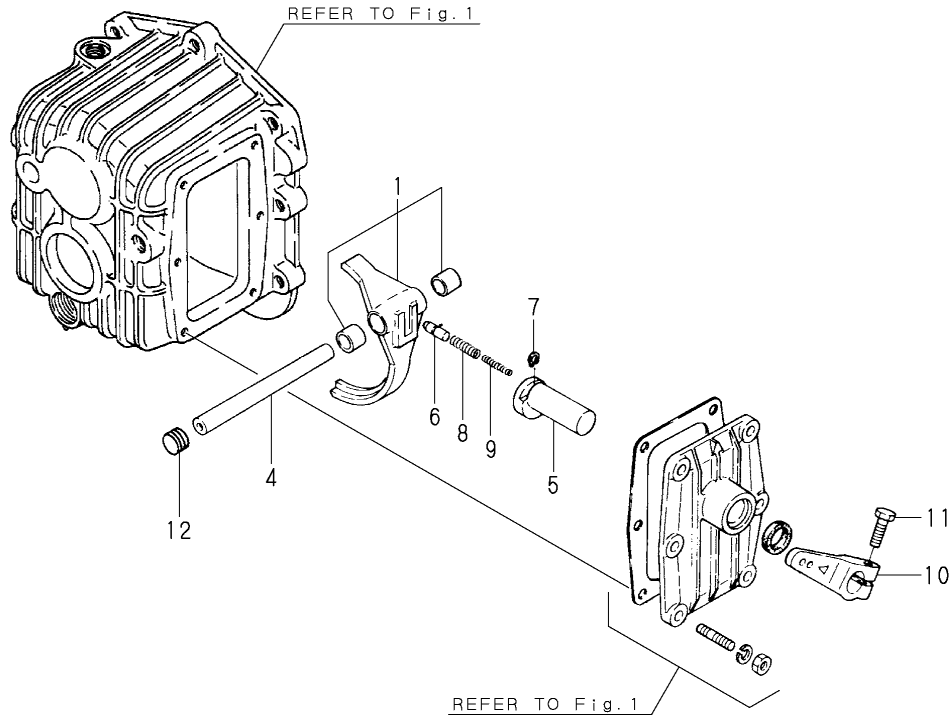
REF.	LEV.	PARTS NO.	DESCRIPTION	QTY						I	R
				(A)	(B)	(C)	(D)	(E)	(F)		
1	1	177099-03021	SHAFT, OUTPUT	1							
2	1	24341-000300	O-RING 1A S-30.0	1							
3	1	177099-03920	ROLLER BEARING	2							
4	1	177099-03040	PLATE ASSY, DRIVING	1							
8	1	177090-03230	KEY	1							
9	1	177095-03190	PIN	3							
10	1	177095-03200	SPRING	3							
11	1	177099-03070	RING, SHIFTING	1							
12	1	177099-03080	PLATE, PRESSURE	2							
13	1	177090-03180	BALL 8MM	6							
14	1	177095-03210	SPRING, RETURN	3							
15	1	177099-03101	GEAR (Z=47), FORWARD	1							1
16	1	177099-03370	GEAR(Z=51),AHEAD	1							2
17	1	177099-03431	GEAR (Z=51), FORWARD	1							3
18	1	177099-03111	GEAR (Z=45)	1							
19	1	177090-03110	RETAINER (B)	2							
20	1	177095-03280	CIRCLIP	2							
21	1	177090-03121	SPRING	2							
22	1	177090-03080	DISC, FRICTION	8							
23	1	177090-03090	PLATE, STEEL	6							
24	1	177099-03161	SPACER	2							
25	1	177090-03270	WASHER, THRUST	2							
26	1	177095-03800	SHIM SET	2							
27	1	177095-03900	ROLLER BEARING	2							
28	1	177099-03470	RACE INNER	2							
29	1	177099-03550	COUPLING, OUTPUT	1							
30	1	177099-03540	LOCK NUT	1							

Remarks
 (1)l=2.14
 (2)l=2.45
 (3)l=2.83

(A)=KBW10-E
(B)=KBW10-D
(C)=KBW20

(D)=KBW20-1
(E)=KBW21
(F)=

Fig.5.CONTROL DEVICE

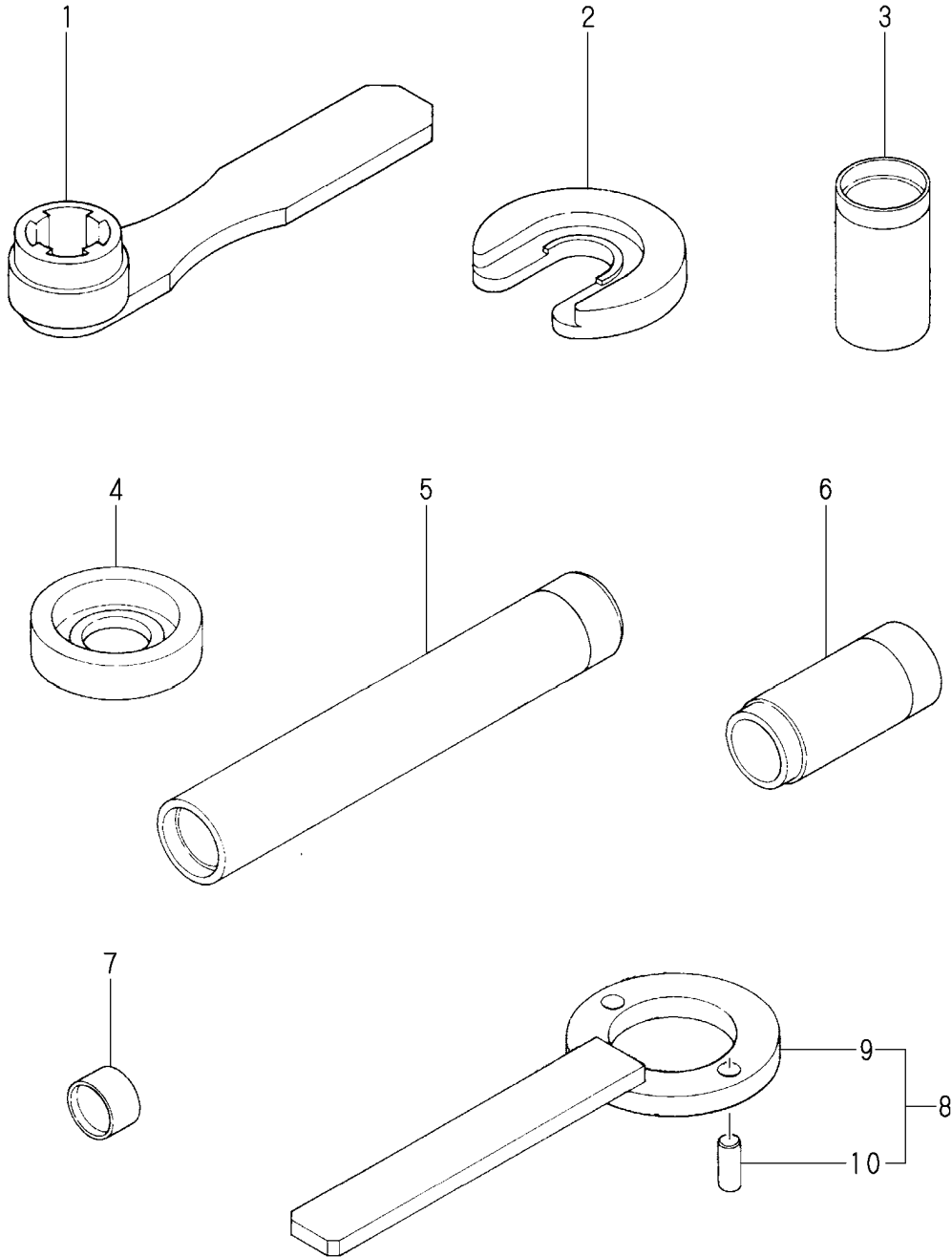


REF.	LEV.	PARTS NO.	DESCRIPTION	QTY						I	R
				(A)	(B)	(C)	(D)	(E)	(F)		
1	1	177099-06010	FORK ASSY, SHIFT	1							
4	1	177099-06041	SHAFT, SHIFT	1							
5	1	177095-06030	CAM, SHIFT	1							
6	1	177095-06050	PIN	1							
7	1	177095-06140	CIRCLIP	1							
8	1	177095-03200	SPRING	1							
9	1	177095-06060	SPRING	1							
10	1	177095-06040	LEVER	1							
11	1	26116-080252	BOLT M 8X 25 PLATED	1							
12	1	177099-06050	PLUG	1							
I	13	177084-06340	STAY ASSY, SWITCH	1							W
		(A=*1994.08)									
I	14	177074-06300	SETTING,SAFETY SWIT.	1							W
		(A=*1994.08)									
I	15	177084-06350	STAY, SAFETY SWITCH	1							W
		(A=*1994.08)									
I	16	26116-080404	BOLT M 8X 40 PLATED	1							W
		(A=*1994.08)									
I	17	26979-040082	SCREW M 4X 8	1							W
		(A=*1994.08)									

Fig.6.TOOL

(A)=KBW10-E
(B)=KBW10-D
(C)=KBW20

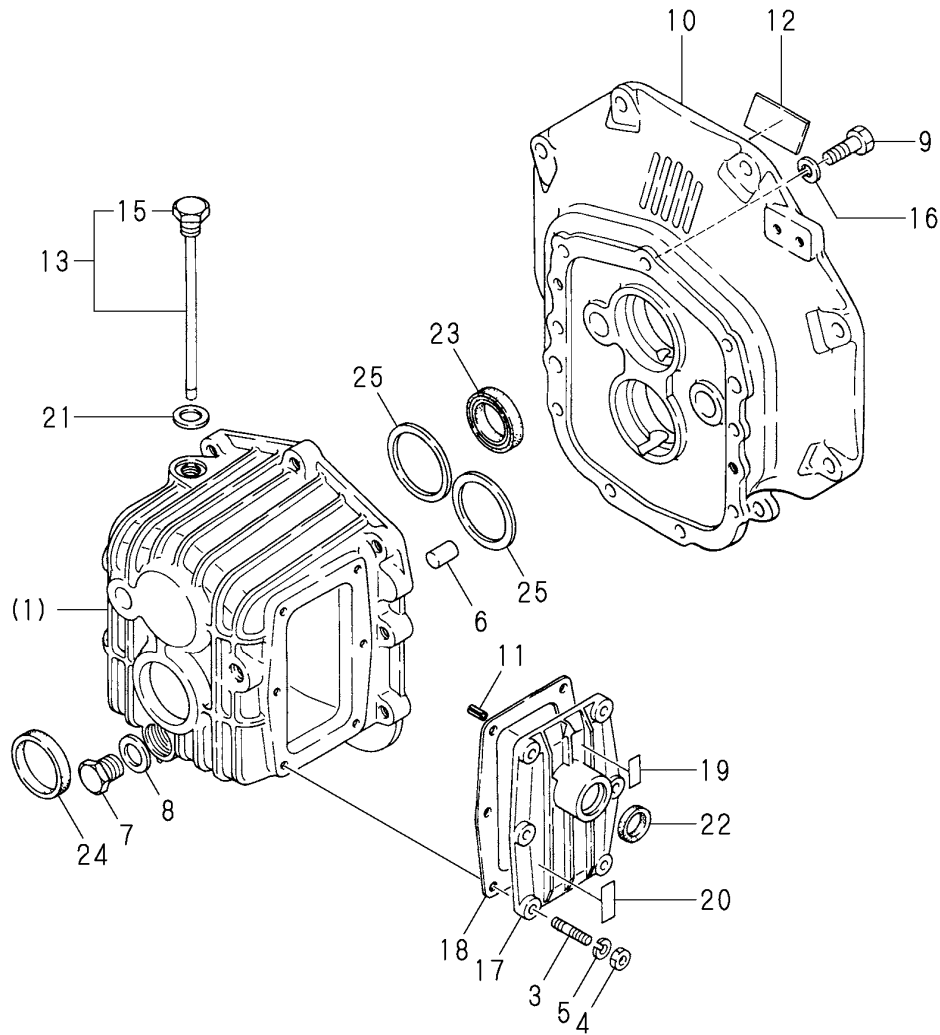
(D)=KBW20-1
(E)=KBW21
(F)=



REF.	LEV.	PARTS NO.	DESCRIPTION	QTY						I	R
				(A)	(B)	(C)	(D)	(E)	(F)		
1	1	177099-09010	WRENCH	1							
2	1	177099-09030	REPLACER	1							
3	1	177095-09070	REPLACER	1							
4	1	177090-09010	SPACER	1							
5	1	177095-09020	REPLACER	1							
6	1	177099-09040	REPLACER	1							
7	1	177095-09170	REPLACER	1							
8	1	177099-09080	STOPPER ASSY.	1							
9	2	177099-09020	WRENCH W/PIN	1							
10	2	22312-100200	PARALLEL PIN 10X20	2							

Fig.7.CLUTCH HOUSING

1 inc.(1) ~ 8



Y00R5470 7.CLUTCH HOUSING

(A)=KBW10-E
(B)=KBW10-D
(C)=KBW20

(D)=KBW20-1
(E)=KBW21
(F)=

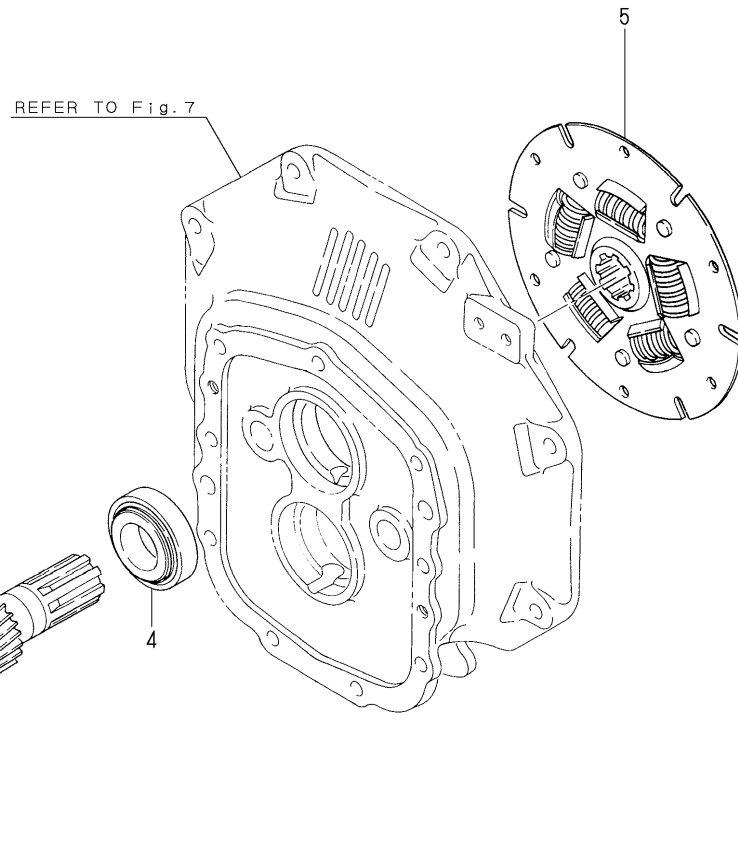
REF.	LEV.	PARTS NO.	DESCRIPTION	QTY						I	R	
				(A)	(B)	(C)	(D)	(E)	(F)			
1	1	777099-02550	HOUSING ASSY, CLUTCH		1							
3	2	26216-080222	STUD M 8X 22 PLATED		6							
4	2	26716-080002	NUT M 8		6							
5	2	22287-080000	LOCKING WASHER		6							
6	2	177099-02130	STRAIGHT PIN		2							
7	2	23887-160002	PLUG 16,HEX.		1							
8	2	23414-160021	GASKET 16		1							
9	1	26116-100302	BOLT 10X30		9							
10	1	177094-02120	FLANGE, MOUNTING		1							
11	1	22352-040012	SPRING PIN 4X12		1							
12	1	177095-02400	LABEL		1							
13	1	177099-02450	DIPSTICK W/BREATHER		1							
15	2	177099-02470	COVER		1							
16	1	22287-100000	WASHER 10		9							
17	1	177099-02081	COVER, SIDE		1							
18	1	177099-02091	GASKET		1							
19	1	177090-02630	LABEL		1							
20	1	177090-02620	LABEL		1							
21	1	23414-160021	GASKET 16		1							
22	1	177095-02980	SEAL, OIL		1							
23	1	177099-02950	SEAL TC30 52 8, OIL		1							
24	1	177099-02960	SEAL TC40 52 8, OIL		1							
25	1	177099-02250	SHIM SET		2							

Fig.8.INPUT SHAFT

Y00R5470 8.INPUT SHAFT

(A)=KBW10-E
(B)=KBW10-D
(C)=KBW20

(D)=KBW20-1
(E)=KBW21
(F)=



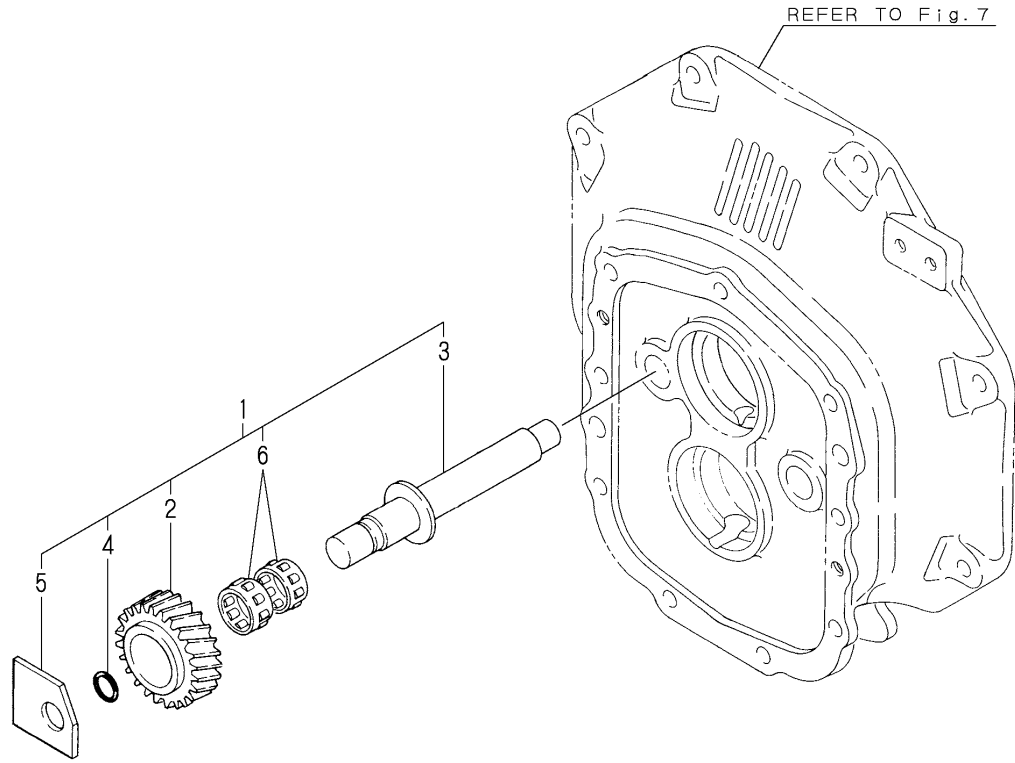
REF.	LEV.	PARTS NO.	DESCRIPTION	QTY						I	R
				(A)	(B)	(C)	(D)	(E)	(F)		
1	1	177099-03011	SHAFT, INPUT (I=2)		1						1
2	1	177099-03380	SHAFT, INPUT I=2.63		1						2
3	1	177099-03411	SHAFT, INPUT (I=3)		1						3
4	1	177099-03920	ROLLER BEARING		2						
5	1	177099-03500	DISK, (NON-ASB.)		1						

Remarks
 (1)l=2.14
 (2)l=2.63
 (3)l=2.83

Fig.9.SUPPORT SHAFT

(A)=KBW10-E
(B)=KBW10-D
(C)=KBW20

(D)=KBW20-1
(E)=KBW21
(F)=

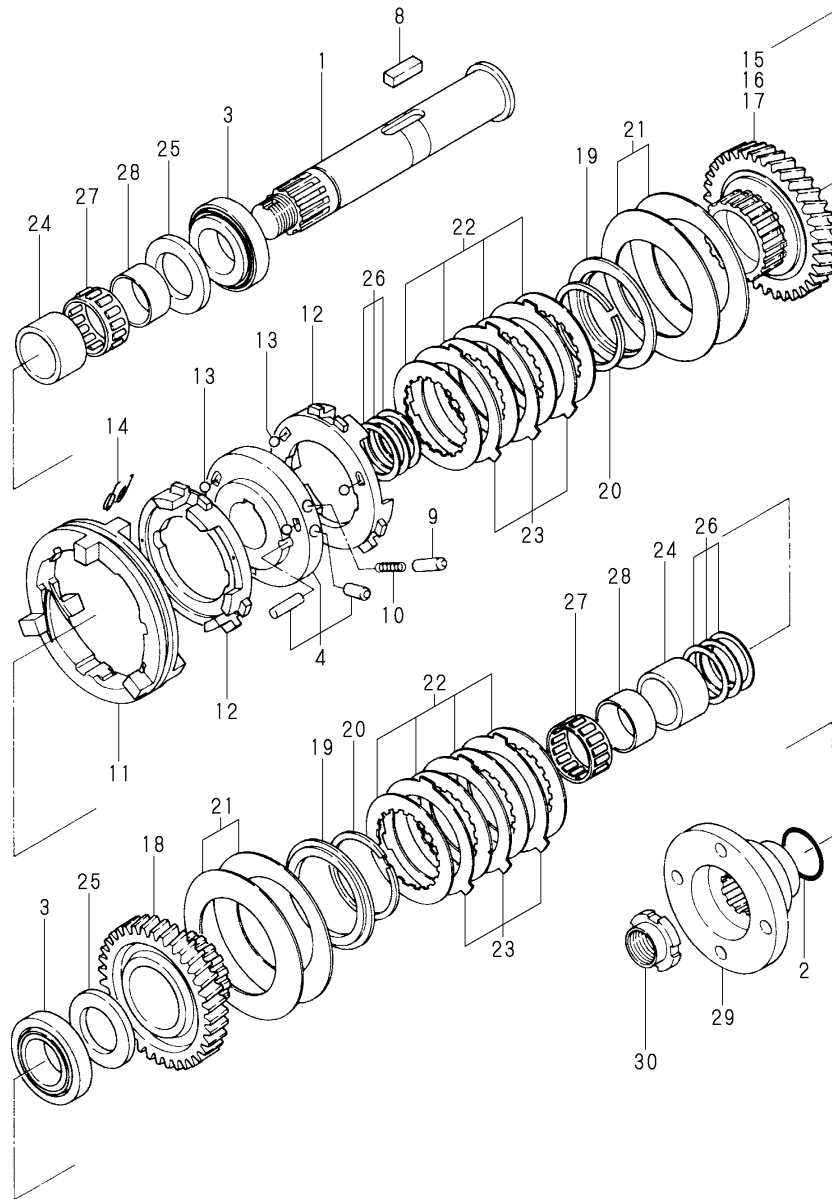


REF.	LEV.	PARTS NO.	DESCRIPTION	QTY						I	R
				(A)	(B)	(C)	(D)	(E)	(F)		
1	1	777099-03021	SHAFT ASY, IDLE GEAR		1						
2	2	177099-03301	GEAR (Z=25), IDLE		1						
3	2	177099-03980	SHAFT		1						
4	2	24341-000150	O-RING 1A S-15.0		1						
5	2	177099-03321	WASHER, THRUST		1						
6	2	177099-03901	NEEDLE BEARING		2						

Fig.10.OUTPUT SHAFT

(A)=KBW10-E
(B)=KBW10-D
(C)=KBW20

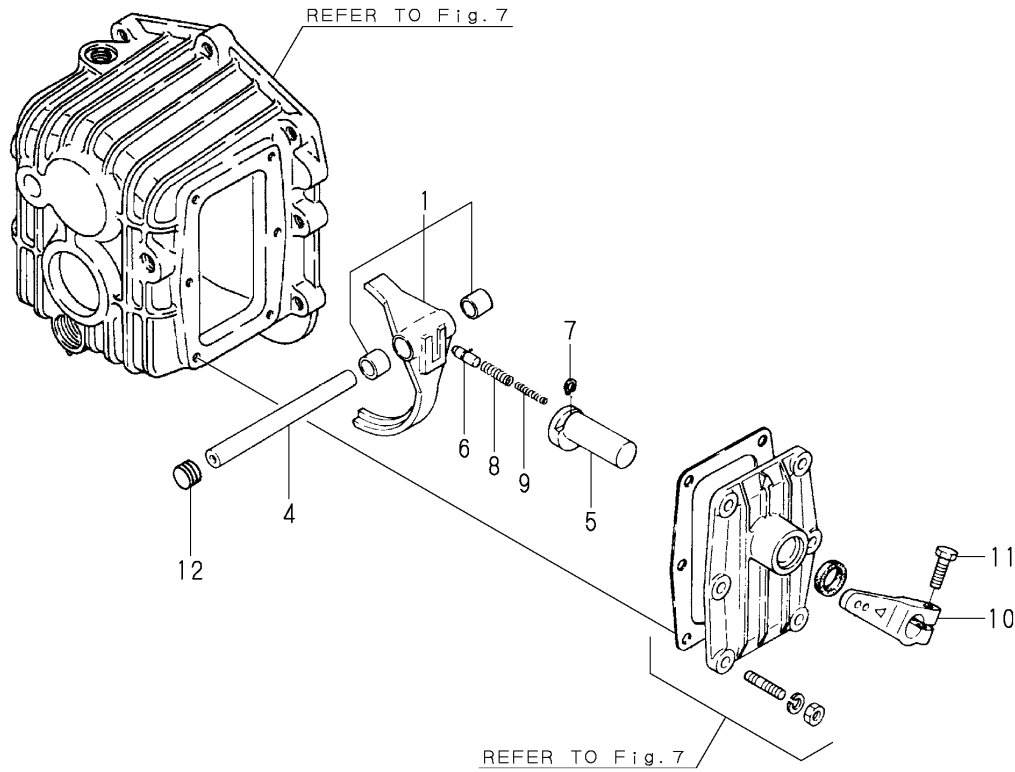
(D)=KBW20-1
(E)=KBW21
(F)=



REF.	LEV.	PARTS NO.	DESCRIPTION	QTY						I	R
				(A)	(B)	(C)	(D)	(E)	(F)		
1	1	177099-03021	SHAFT, OUTPUT		1						
2	1	24341-000300	O-RING 1A S-30.0		1						
3	1	177099-03920	ROLLER BEARING		2						
4	1	177099-03040	PLATE ASSY, DRIVING		1						
8	1	177090-03230	KEY		1						
9	1	177095-03190	PIN		3						
10	1	177095-03200	SPRING		3						
11	1	177099-03070	RING, SHIFTING		1						
12	1	177099-03080	PLATE, PRESSURE		2						
13	1	177090-03180	BALL 8MM		6						
14	1	177095-03210	SPRING, RETURN		3						
15	1	177099-03101	GEAR (Z=47), FORWARD		1						1
16	1	177099-03390	GEAR (Z=50), FORWARD		1						2
17	1	177099-03431	GEAR (Z=51), FORWARD		1						3
18	1	177099-03111	GEAR (Z=45)		1						
19	1	177090-03110	RETAINER (B)		2						
20	1	177095-03280	CIRCLIP		2						
21	1	177090-03121	SPRING		2						
22	1	177090-03080	DISC, FRICTION		8						
23	1	177090-03090	PLATE, STEEL		6						
24	1	177099-03161	SPACER		2						
25	1	177090-03270	WASHER, THRUST		2						
26	1	177095-03800	SHIM SET		2						
27	1	177095-03900	ROLLER BEARING		2						
28	1	177099-03470	RACE INNER		2						
29	1	177099-03550	COUPLING, OUTPUT		1						
30	1	177099-03540	LOCK NUT		1						

Remarks
 (1)l=2.14
 (2)l=2.63
 (3)l=2.83

Fig.11.CONTROL DEVICE

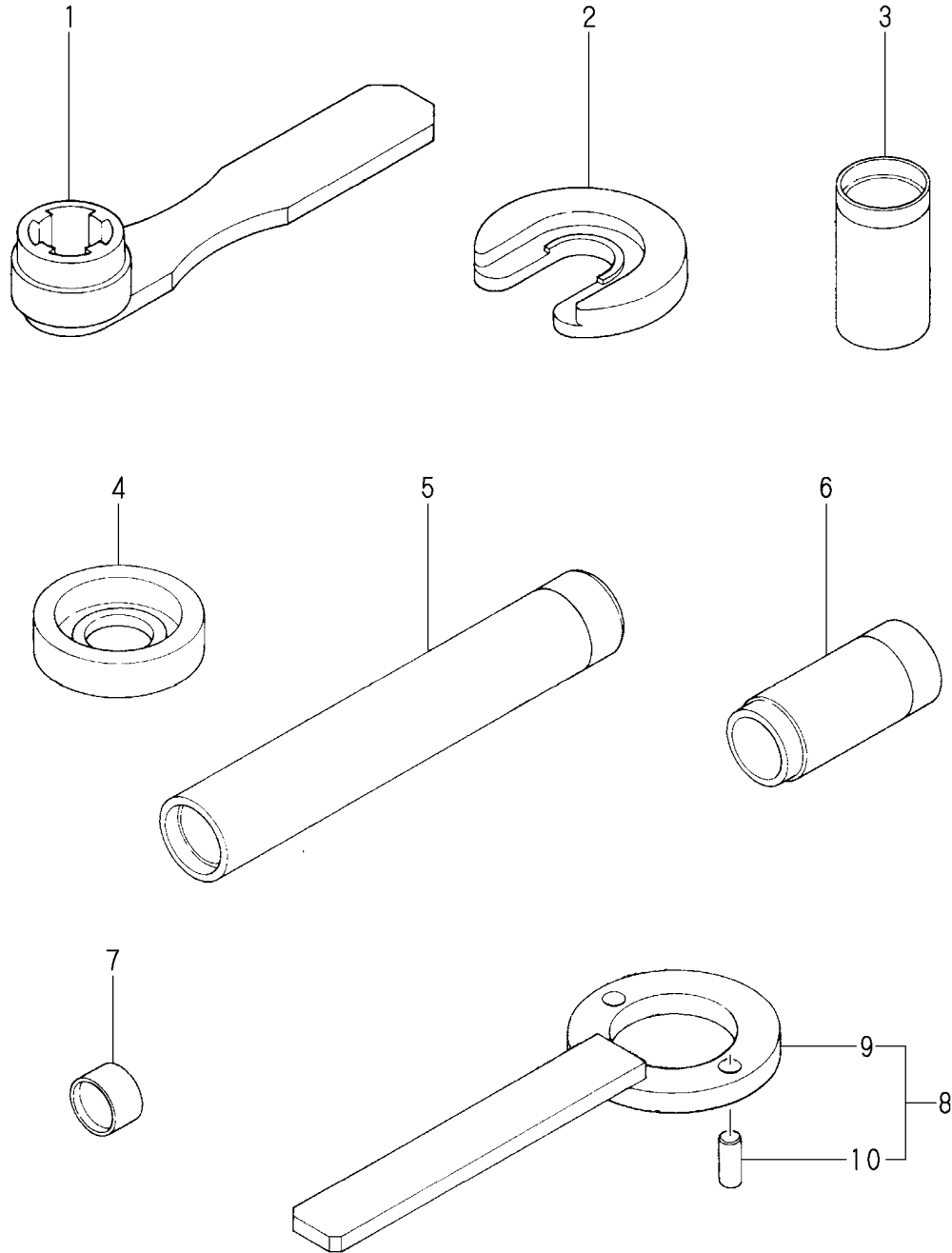


(A)=KBW10-E
(B)=KBW10-D
(C)=KBW20

(D)=KBW20-1
(E)=KBW21
(F)=

REF.	LEV.	PARTS NO.	DESCRIPTION	QTY						I	R
				(A)	(B)	(C)	(D)	(E)	(F)		
1	1	177099-06010	FORK ASSY, SHIFT		1						
4	1	177099-06041	SHAFT, SHIFT		1						
5	1	177095-06030	CAM, SHIFT		1						
6	1	177095-06050	PIN		1						
7	1	177095-06140	CIRCLIP		1						
8	1	177095-03200	SPRING		1						
9	1	177095-06060	SPRING		1						
10	1	177095-06040	LEVER		1						
11	1	26116-080252	BOLT M 8X 25 PLATED		1						
12	1	177099-06050	PLUG		1						

Fig.12.CONTROL DEVICE



(A)=KBW10-E
(B)=KBW10-D
(C)=KBW20

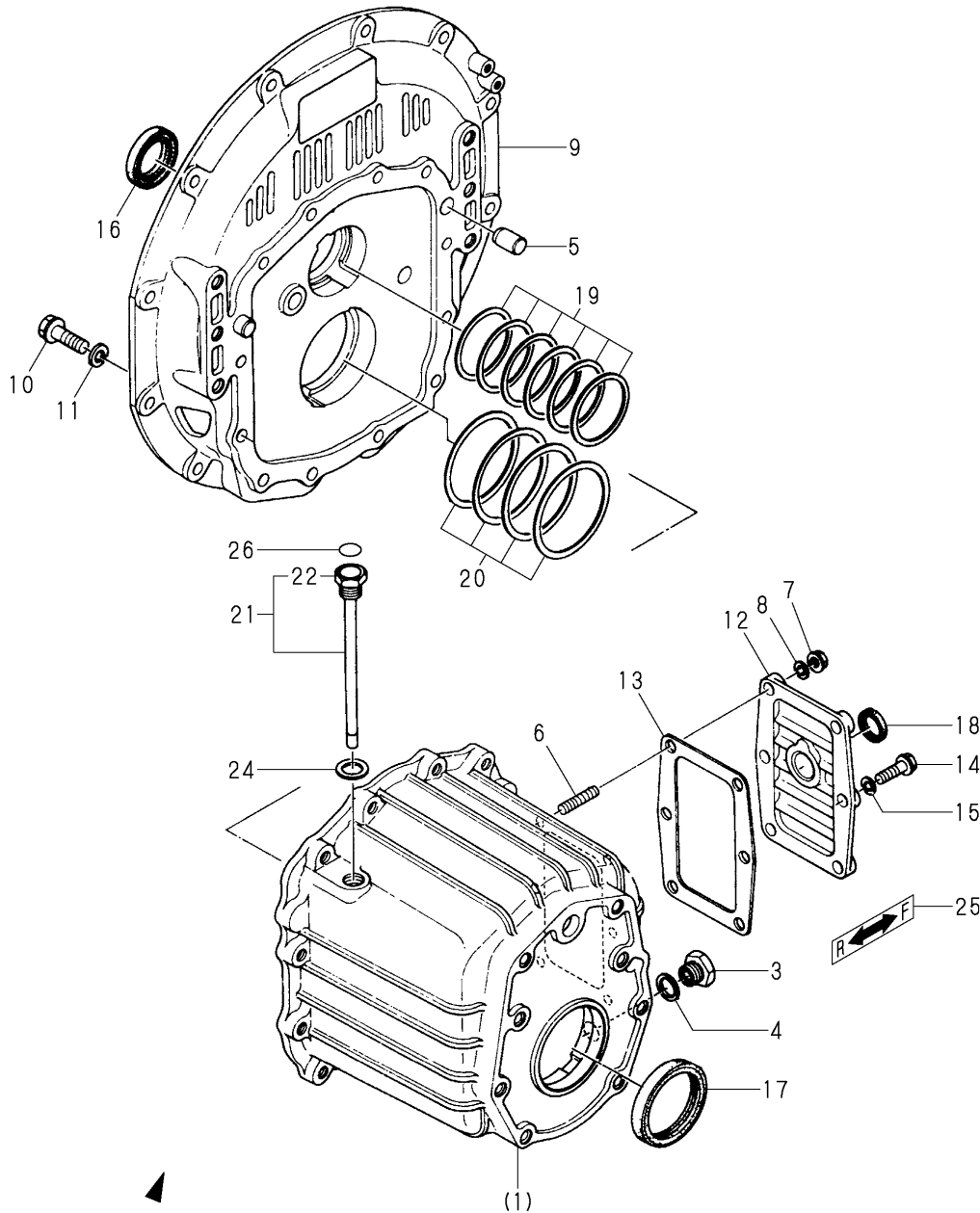
(D)=KBW20-1
(E)=KBW21
(F)=

REF.	LEV.	PARTS NO.	DESCRIPTION	QTY						I	R	
				(A)	(B)	(C)	(D)	(E)	(F)			
1	1	177099-09010	WRENCH		1							
2	1	177099-09030	REPLACER		1							
3	1	177095-09070	REPLACER		1							
4	1	177090-09010	SPACER		1							
5	1	177095-09020	REPLACER		1							
6	1	177099-09040	REPLACER		1							
7	1	177095-09170	REPLACER		1							
8	1	177099-09080	STOPPER ASSY.		1							
9	2	177099-09020	WRENCH W/PIN		1							
10	2	22312-100200	PARALLEL PIN 10X20		2							

Fig.13.CLUTCH HOUSING

(A)=KBW10-E
(B)=KBW10-D
(C)=KBW20

(D)=KBW20-1
(E)=KBW21
(F)=



REF.	LEV.	PARTS NO.	DESCRIPTION	QTY						I	R		
				(A)	(B)	(C)	(D)	(E)	(F)				
1	1	777075-02550	HOUSING ASSY, CLUTCH										
3	2	177035-02920	PLUG M16X1.5,MAGNET.										
4	2	23414-160021	GASKET 16										
5	2	177099-02130	STRAIGHT PIN										
6	2	26216-080222	STUD M 8X 22 PLATED										
7	2	26366-080002	NUT M 8										
8	2	22287-080000	LOCKING WASHER										
9	1	177075-02041	FLANGE										
10	1	26106-100302	BOLT M10X 30 PLATED										
I	10-1	1	26016-100302 (C=*1997.12)										N
I	11	1	22287-100000 (C=*1997.12)										Z
12	1	177099-02081	COVER, SIDE										
13	1	177099-02091	GASKET										
14	1	26106-080252	BOLT M 8X 25 PLATED										
I	14-1	1	26016-080252 (C=*1997.12)										N
I	15	1	22287-080000 (C=*1997.12)										Z
16	1	177095-02960	SEAL SB35 47 7, OIL										
17	1	177090-02970	SEAL TC54 70 9, OIL										
18	1	177095-02980	SEAL, OIL										
19	1	177075-02150	SHIM SET										
20	1	177075-02250	SHIM										
21	1	177099-02450	DIPSTICK W/BREATHER										
22	2	177099-02470	COVER										
24	1	23414-160021	GASKET 16										
I	25	1	177088-02430 (C=*1994.05)										W
I	26	1	177075-02550 (C=*1994.05)										W
I	26-1	1	177075-02551 (C=*1995.07)										N

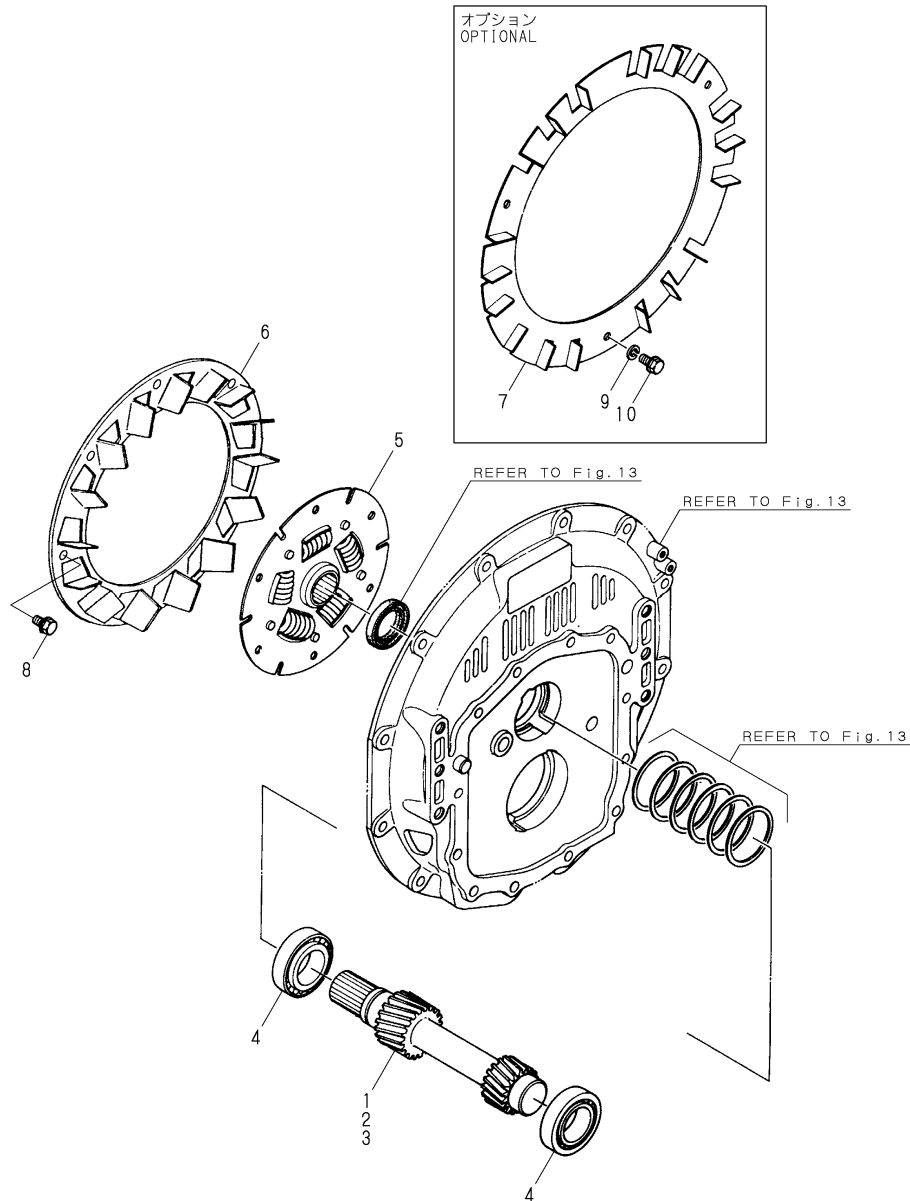
1inc.(1) ~ 8

Fig.14.INPUT SHAFT

(A)=KBW10-E
(B)=KBW10-D
(C)=KBW20

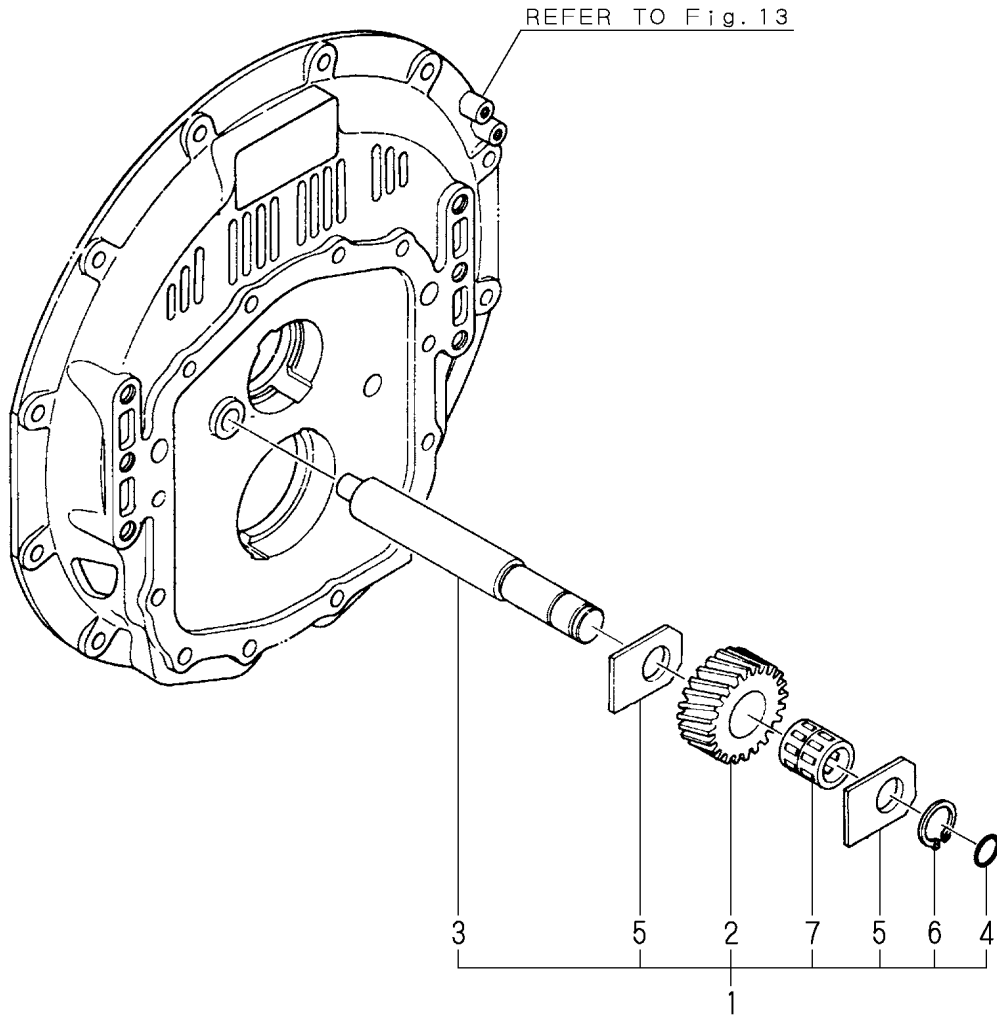
(D)=KBW20-1
(E)=KBW21
(F)=

REF.	LEV.	PARTS NO.	DESCRIPTION	QTY						I	R	
				(A)	(B)	(C)	(D)	(E)	(F)			
1	1	177075-03611	SHAFT, INPUT								1	
2	1	177075-03011	SHAFT, INPUT								2	
3	1	177075-03411	SHAFT, INPUT								3	
4	1	24141-320070	ROLLER BEARING								2	
5	1	177090-03500	DISC, DAMPER								1	
6	1	177073-03191	FAN								1	
7	1	177075-03510	FAN								1	
8	1	26106-080162	BOLT M 8X 16 PLATED								6	
9	1	22217-080000	SPRING WASHER 8								3	
10	1	26106-080162	BOLT M 8X 16 PLATED								3	



Remarks
 (1)l=2.17
 (2)l=2.62
 (3)l=3.28

Fig.15.SUPPORT SHAFT



(A)=KBW10-E
(B)=KBW10-D
(C)=KBW20

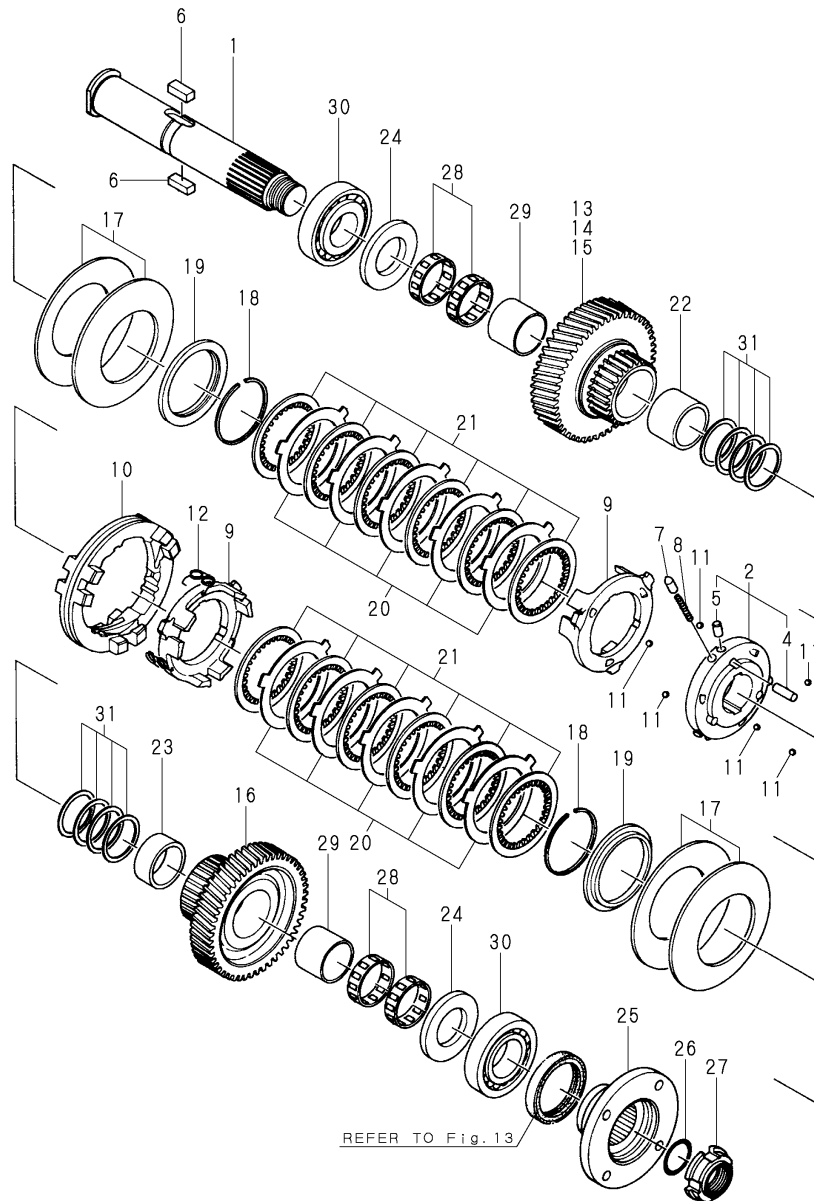
(D)=KBW20-1
(E)=KBW21
(F)=

REF.	LEV.	PARTS NO.	DESCRIPTION	QTY						I	R	
				(A)	(B)	(C)	(D)	(E)	(F)			
1	1	777075-03021	SHAFT ASSY, COUNTER									
2	2	177075-03300	GEAR									
3	2	177075-03311	SHAFT									
4	2	24311-000180	O-RING 1A P-18.0									
5	2	177075-03320	WASHER									
6	2	22242-000220	CIRCLIP 22									
7	2	24161-222916	NEEDLE BEARING									

Fig.16.OUTPUT SHAFT

(A)=KBW10-E
(B)=KBW10-D
(C)=KBW20

(D)=KBW20-1
(E)=KBW21
(F)=



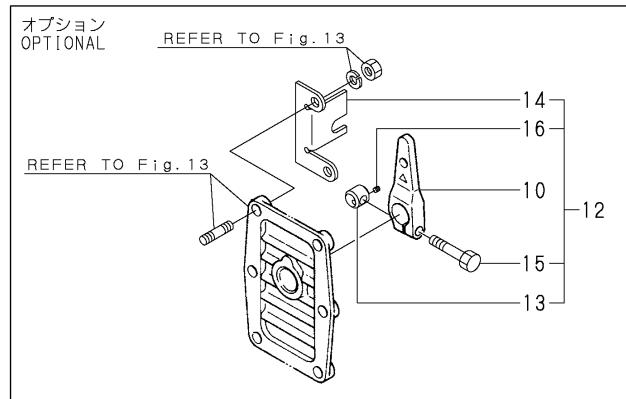
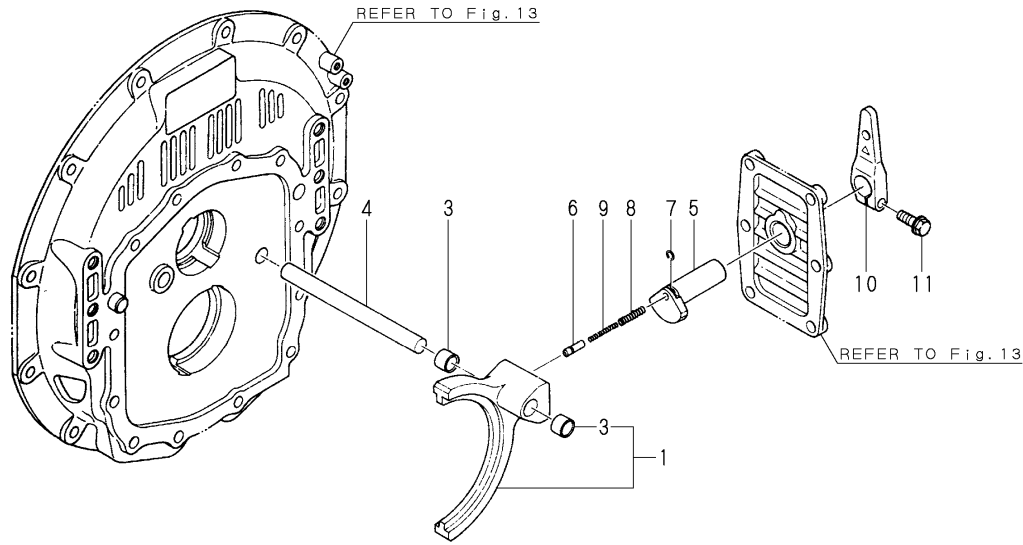
REF.	LEV.	PARTS NO.	DESCRIPTION	QTY						I	R
				(A)	(B)	(C)	(D)	(E)	(F)		
1	1	177075-03020	SHAFT, THRUST						1		
2	1	177075-03040	PLATE ASSY, DRIVING						1		
4	2	177095-03030	PARALLEL PIN						3		
5	2	177095-03040	PARALLEL PIN						3		
6	1	177090-03230	KEY						2		
7	1	177095-03190	PIN						3		
8	1	177095-03200	SPRING						3		
9	1	177075-03250	RETAINER						2		
10	1	177075-03220	RING						1		
11	1	24190-120001	BALL 3/8,STEEL						6		
12	1	177095-03210	SPRING, RETURN						3		
13	1	177075-03630	GEAR Z=52						1		1
14	1	177075-03100	GEAR						1		2
15	1	177075-03430	GEAR						1		3
16	1	177075-03110	GEAR						1		
17	1	177075-03960	SPRING						4		
18	1	177075-03280	CIRCLIP						2		
19	1	177075-03130	RETAINER						2		
20	1	177075-03880	DISK, FRICTION						12		
21	1	177020-03380	PLATE, STEEL						10		
22	1	177075-03160	SPACER						1		
23	1	177075-03170	SPACER						1		
24	1	177075-03270	COLLAR						2		
25	1	177075-03550	COUPLING						1		
26	1	24311-000350	O-RING 1A P-35.0						1		
27	1	177075-03540	NUT						1		
28	1	24161-455017	NEEDLE BEARING						4		
29	1	177075-03470	RACE, INNER						2		
30	1	24141-302080	ROLLER BEARING						2		
31	1	177075-03800	SHIM						2		

Remarks
 (1)l=2.17
 (2)l=2.62
 (3)l=3.28

Fig.17.CONTROL DEVICE

(A)=KBW10-E
(B)=KBW10-D
(C)=KBW20

(D)=KBW20-1
(E)=KBW21
(F)=

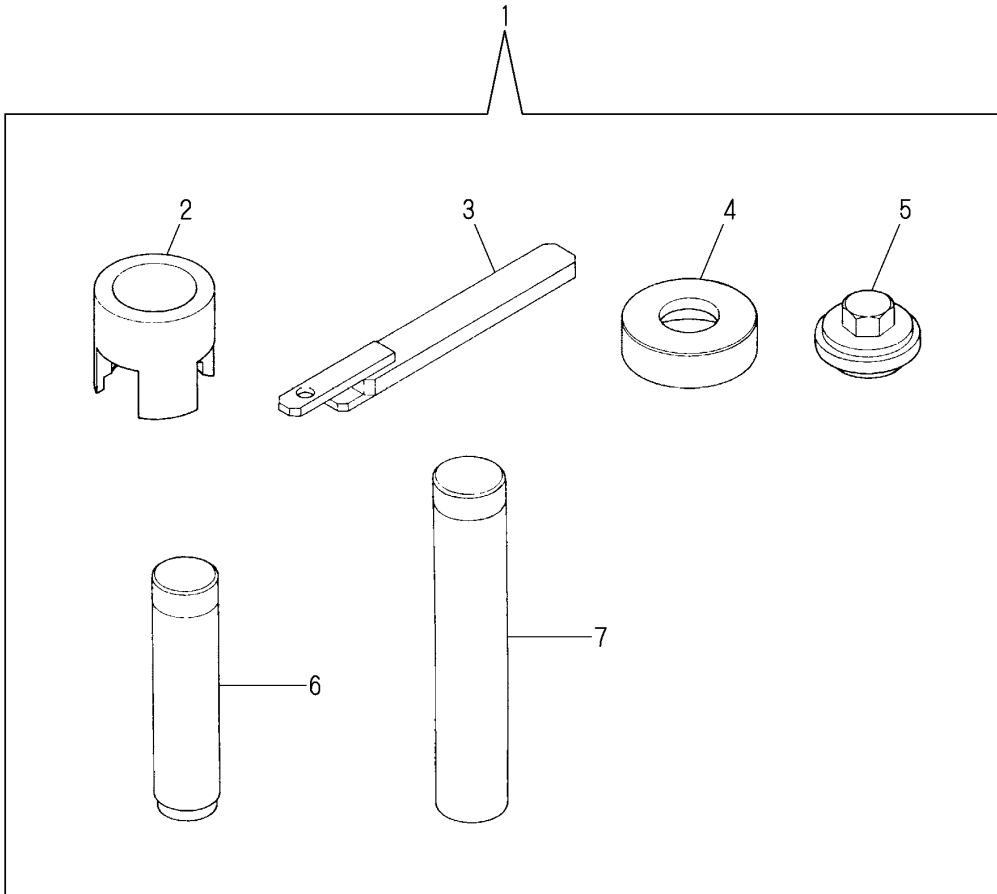


REF.	LEV.	PARTS NO.	DESCRIPTION	QTY						I	R	
				(A)	(B)	(C)	(D)	(E)	(F)			
1	1	177075-06011	FORK ASSY, SHIFT									
3	2	177095-06070	BEARING, SHIFT FORK									
4	1	177075-06040	BAR, SHIFT									
5	1	177095-06030	CAM, SHIFT									
6	1	177095-06050	PIN									
7	1	177095-06140	CIRCLIP									
8	1	177095-03200	SPRING									
9	1	177095-06060	SPRING									
10	1	177075-06050	LEVER									
11	1	26106-080252	BOLT M 8X 25 PLATED									
I 12	1	177075-06340	STAY ASSY, SWITCH (C=*1994.08)									W
I 13	2	177074-06300	SETTING, SAFETY SWIT. (C=*1994.08)									W
I 14	2	177075-06350	STAY, SAFETY SWITCH (C=*1994.08)									W
I 15	2	26116-080404	BOLT M 8X 40 PLATED (C=*1994.08)									W
I 16	2	26979-040082	SCREW M 4X 8 (C=*1994.08)									W

Fig.18.TOOL

(A)=KBW10-E
(B)=KBW10-D
(C)=KBW20

(D)=KBW20-1
(E)=KBW21
(F)=

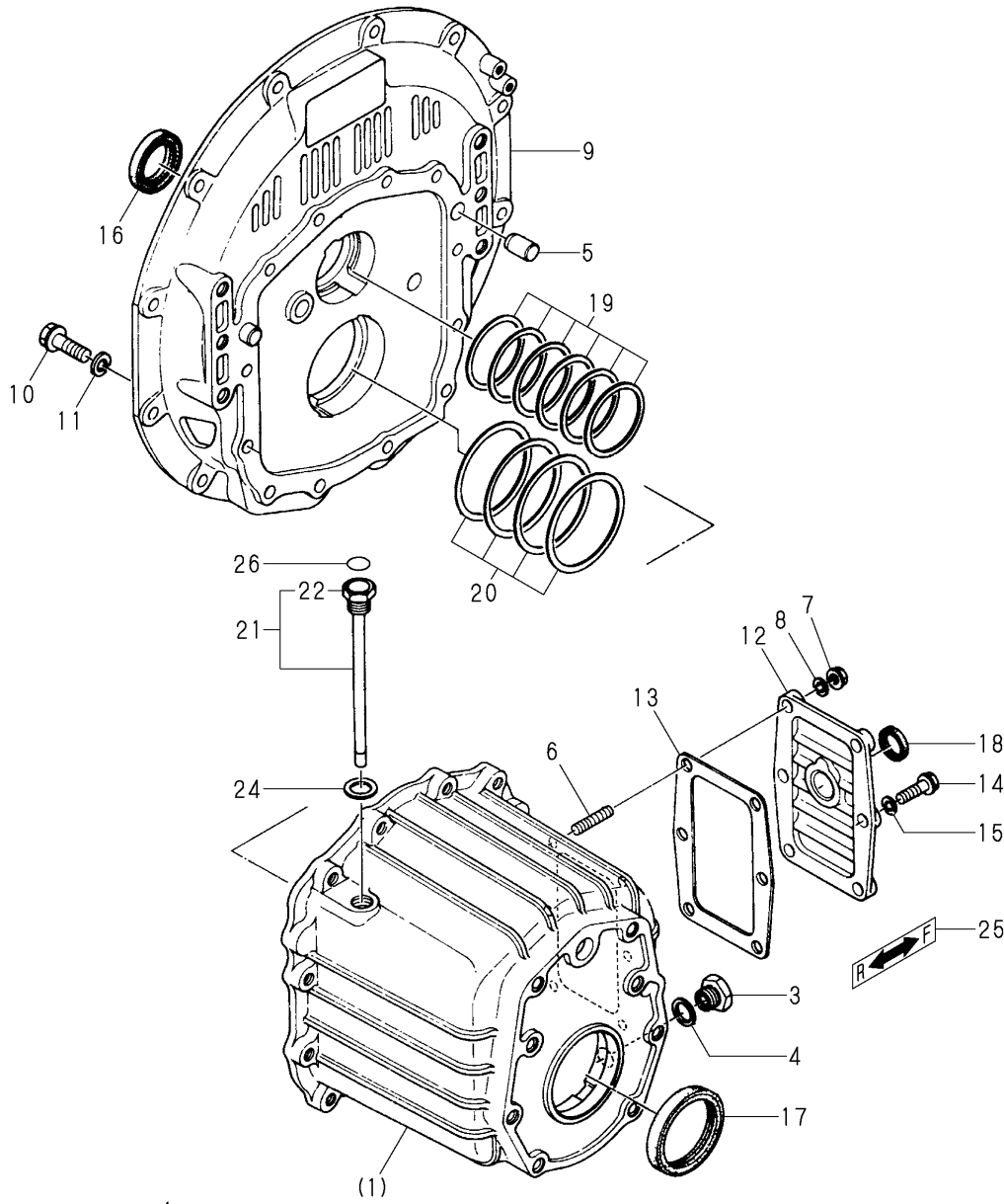


REF.	LEV.	PARTS NO.	DESCRIPTION	QTY						I	R		
				(A)	(B)	(C)	(D)	(E)	(F)				
1	1	777075-09500	TOOLS ASSY										
2	2	177095-09070	REPLACER										
3	2	177075-09050	CIRCLIP										
4	2	177075-09010	SPACER										
5	2	177075-09020	SOCKET										
6	2	177075-09030	TOOL										
7	2	177075-09040	TOOL										

Fig.19.CLUTCH HOUSING

(A)=KBW10-E
(B)=KBW10-D
(C)=KBW20

(D)=KBW20-1
(E)=KBW21
(F)=



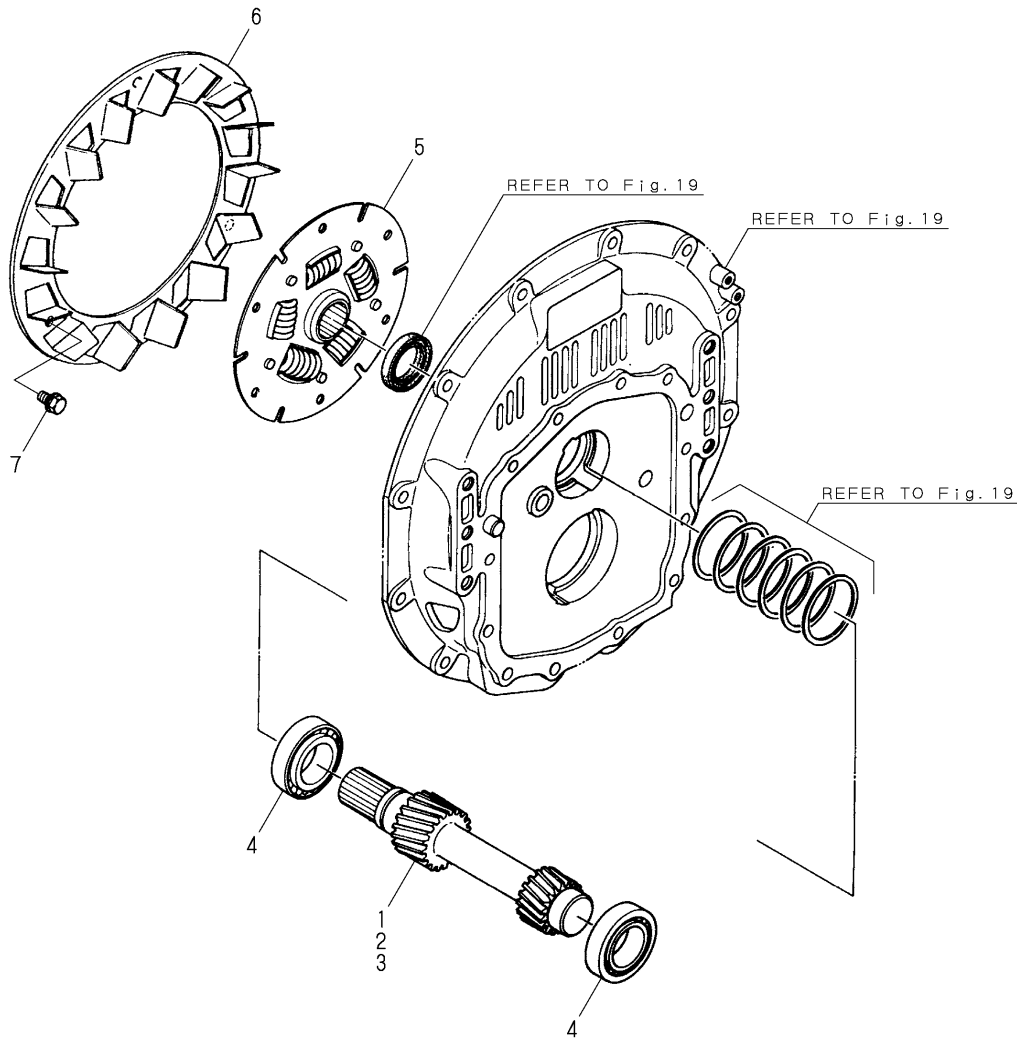
1inc.(1) ~ 8

REF.	LEV.	PARTS NO.	DESCRIPTION	QTY						I	R	
				(A)	(B)	(C)	(D)	(E)	(F)			
1	1	777075-02550	HOUSING ASSY, CLUTCH				1					
3	2	177035-02920	PLUG M16X1.5,MAGNET.				1					
4	2	23414-160021	GASKET 16				1					
5	2	177099-02130	STRAIGHT PIN				2					
6	2	26216-080222	STUD M 8X 22 PLATED				3					
7	2	26366-080002	NUT M 8				3					
8	2	22287-080000	LOCKING WASHER				3					
9	1	177075-02070	FLANGE				1					
10	1	26106-100302	BOLT M10X 30 PLATED				12					
I	10-1	1	26016-100302	BOLT M10X 30			12				N	
			(D=*1997.12)									
I	11	1	22287-100000	WASHER 10			12				Z	
			(D=*1997.12)									
12	1	177099-02081	COVER, SIDE				1					
13	1	177099-02091	GASKET				1					
14	1	26106-080252	BOLT M 8X 25 PLATED				3					
I	14-1	1	26016-080252	BOLT M 8X 25			3				N	
			(D=*1997.12)									
I	15	1	22287-080000	LOCKING WASHER			3				Z	
			(D=*1997.12)									
16	1	177095-02960	SEAL SB35 47 7, OIL				1					
17	1	177090-02970	SEAL TC54 70 9, OIL				1					
18	1	177095-02980	SEAL, OIL				1					
19	1	177075-02150	SHIM SET				1					
20	1	177075-02250	SHIM				1					
21	1	177099-02450	DIPSTICK W/BREATHER				1					
22	2	177099-02470	COVER				1					
24	1	23414-160021	GASKET 16				1					
25	1	177088-02430	LABEL				1					
26	1	177075-02551	LABEL,OIL				1					

Fig.20.INPUT SHAFT

(A)=KBW10-E
(B)=KBW10-D
(C)=KBW20

(D)=KBW20-1
(E)=KBW21
(F)=



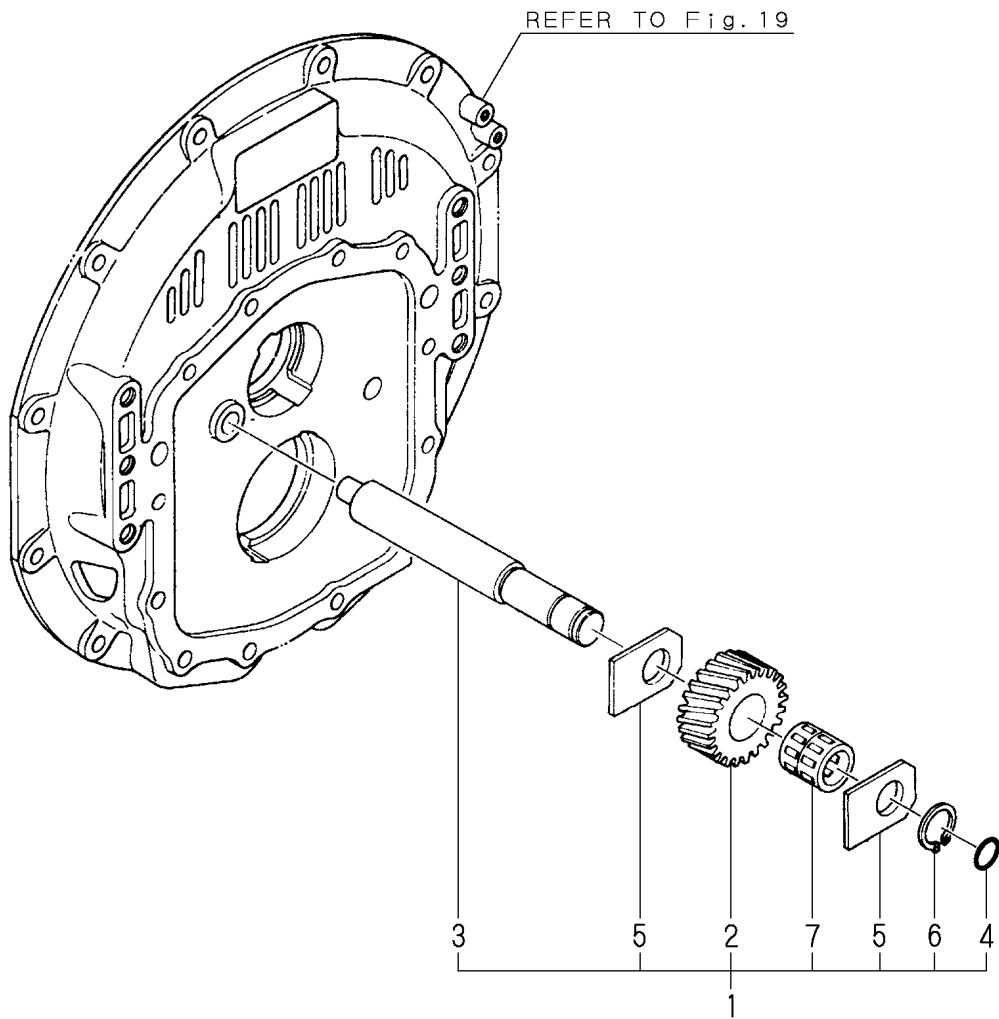
REF.	LEV.	PARTS NO.	DESCRIPTION	QTY						I	R
				(A)	(B)	(C)	(D)	(E)	(F)		
1	1	177075-03611	SHAFT, INPUT				1				1
2	1	177075-03011	SHAFT, INPUT				1				2
3	1	177075-03411	SHAFT, INPUT				1				3
4	1	24141-320070	ROLLER BEARING				2				
5	1	177090-03500	DISC, DAMPER				1				
6	1	177073-03191	FAN				1				
7	1	26106-080162	BOLT M 8X 16 PLATED				6				

Remarks
 (1)l=2.17
 (2)l=2.62
 (3)l=3.28

Fig.21.SUPPORT SHAFT

(A)=KBW10-E
(B)=KBW10-D
(C)=KBW20

(D)=KBW20-1
(E)=KBW21
(F)=

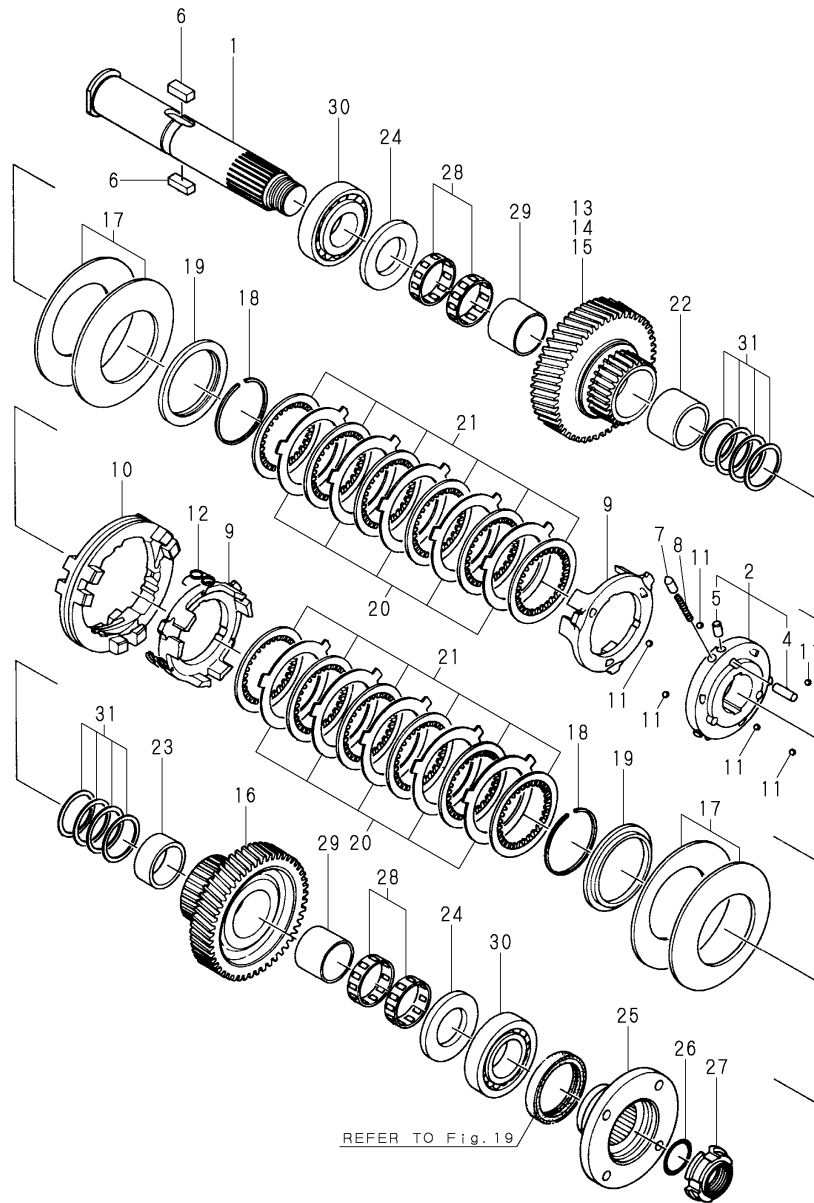


REF.	LEV.	PARTS NO.	DESCRIPTION	QTY						I	R	
				(A)	(B)	(C)	(D)	(E)	(F)			
1	1	777075-03021	SHAFT ASSY, COUNTER									
2	2	177075-03300	GEAR									
3	2	177075-03311	SHAFT									
4	2	24311-000180	O-RING 1A P-18.0									
5	2	177075-03320	WASHER									
6	2	22242-000220	CIRCLIP 22									
7	2	24161-222916	NEEDLE BEARING									

Fig.22.OUTPUT SHAFT

(A)=KBW10-E
(B)=KBW10-D
(C)=KBW20

(D)=KBW20-1
(E)=KBW21
(F)=



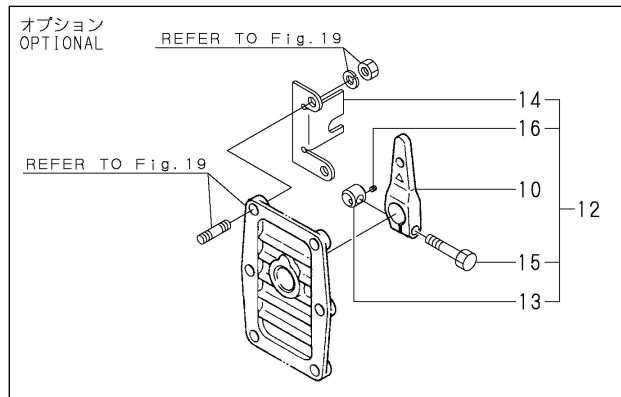
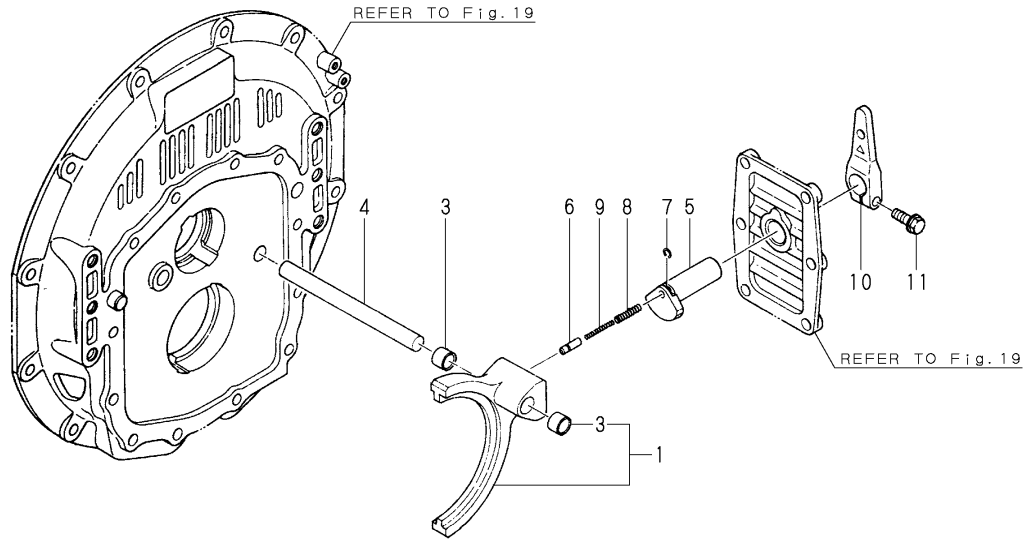
REF.	LEV.	PARTS NO.	DESCRIPTION	QTY						I	R	
				(A)	(B)	(C)	(D)	(E)	(F)			
1	1	177075-03020	SHAFT, THRUST				1					
2	1	177075-03040	PLATE ASSY, DRIVING				1					
4	2	177095-03030	PARALLEL PIN				3					
5	2	177095-03040	PARALLEL PIN				3					
6	1	177090-03230	KEY				2					
7	1	177095-03190	PIN				3					
8	1	177095-03200	SPRING				3					
9	1	177075-03250	RETAINER				2					
10	1	177075-03220	RING				1					
11	1	24190-120001	BALL 3/8,STEEL				6					
12	1	177095-03210	SPRING, RETURN				3					
13	1	177075-03630	GEAR Z=52				1					1
14	1	177075-03100	GEAR				1					2
15	1	177075-03430	GEAR				1					3
16	1	177075-03110	GEAR				1					
17	1	177075-03960	SPRING				4					
18	1	177075-03280	CIRCLIP				2					
19	1	177075-03130	RETAINER				2					
20	1	177075-03880	DISK, FRICTION				12					
21	1	177020-03380	PLATE, STEEL				10					
22	1	177075-03160	SPACER				1					
23	1	177075-03170	SPACER				1					
24	1	177075-03270	COLLAR				2					
25	1	177075-03550	COUPLING				1					
26	1	24311-000350	O-RING 1A P-35.0				1					
27	1	177075-03540	NUT				1					
28	1	24161-455017	NEEDLE BEARING				4					
29	1	177075-03470	RACE, INNER				2					
30	1	24141-302080	ROLLER BEARING				2					
31	1	177075-03800	SHIM				2					

Remarks
 (1)l=2.17
 (2)l=2.62
 (3)l=3.28

Fig.23.CONTROL DEVICE

(A)=KBW10-E
(B)=KBW10-D
(C)=KBW20

(D)=KBW20-1
(E)=KBW21
(F)=

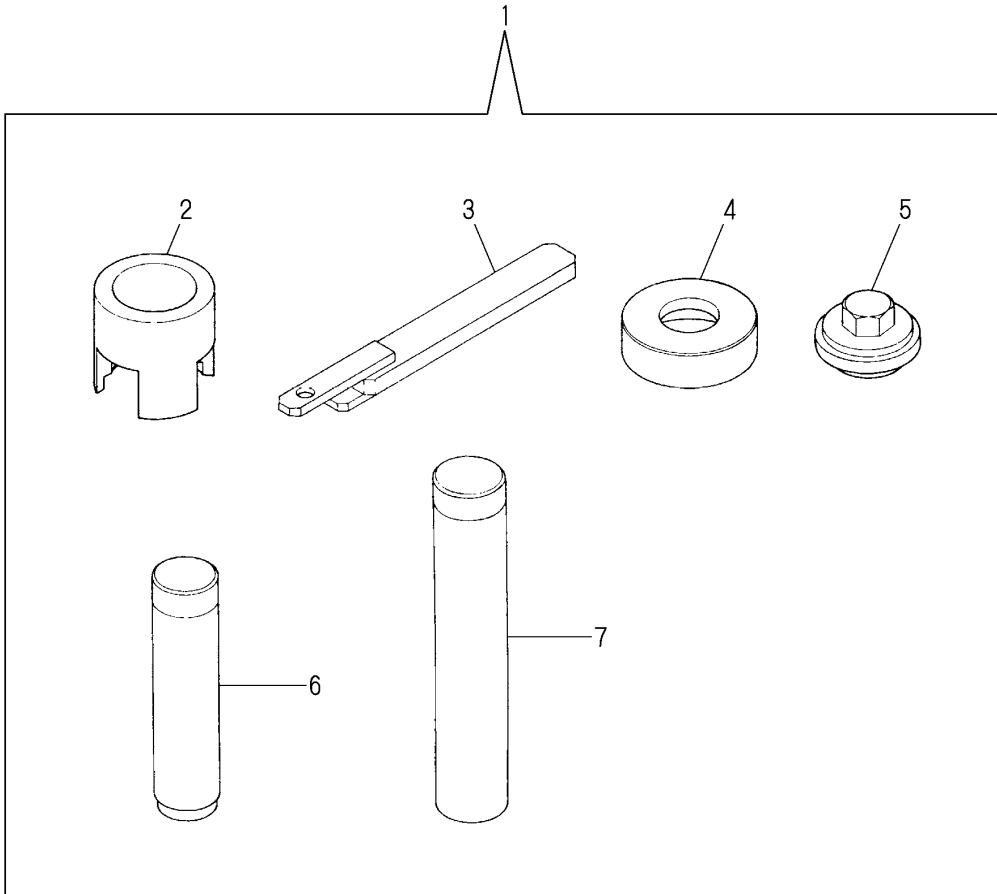


REF.	LEV.	PARTS NO.	DESCRIPTION	QTY						I	R	
				(A)	(B)	(C)	(D)	(E)	(F)			
1	1	177075-06011	FORK ASSY, SHIFT				1					
3	2	177095-06070	BEARING, SHIFT FORK				2					
4	1	177075-06040	BAR, SHIFT				1					
5	1	177095-06030	CAM, SHIFT				1					
6	1	177095-06050	PIN				1					
7	1	177095-06140	CIRCLIP				1					
8	1	177095-03200	SPRING				1					
9	1	177095-06060	SPRING				1					
10	1	177075-06050	LEVER				1					
11	1	26106-080252	BOLT M 8X 25 PLATED				1					
12	1	177075-06340	STAY ASSY, SWITCH				1					
13	2	177074-06300	SETTING, SAFETY SWIT.				1					
14	2	177075-06350	STAY, SAFETY SWITCH				1					
15	2	26116-080404	BOLT M 8X 40 PLATED				1					
16	2	26979-040082	SCREW M 4X 8				1					

Fig.24.TOOL

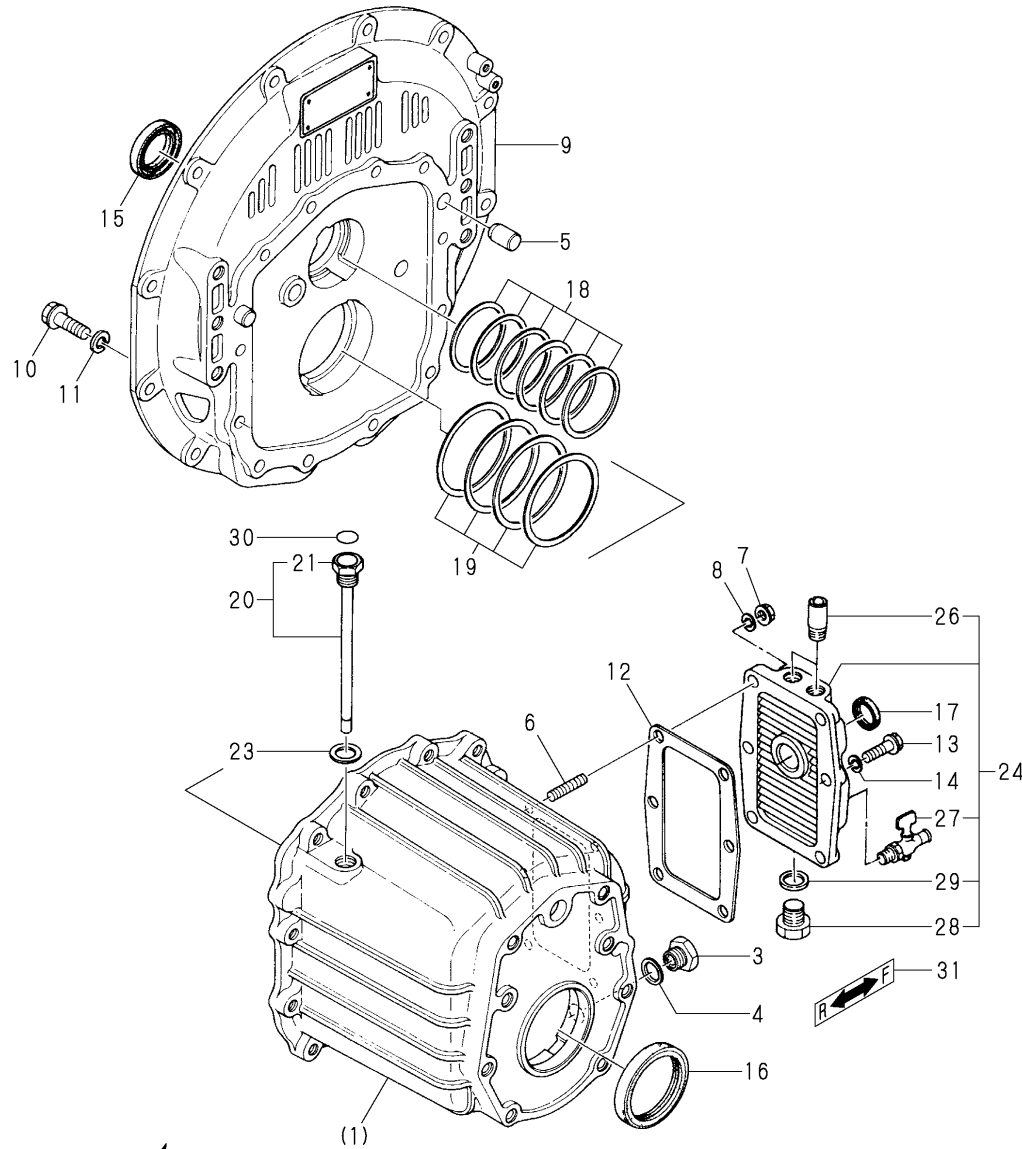
(A)=KBW10-E
(B)=KBW10-D
(C)=KBW20

(D)=KBW20-1
(E)=KBW21
(F)=



REF.	LEV.	PARTS NO.	DESCRIPTION	QTY						I	R	
				(A)	(B)	(C)	(D)	(E)	(F)			
1	1	777075-09500	TOOLS ASSY				1					
2	2	177095-09070	REPLACER				1					
3	2	177075-09050	CIRCLIP				1					
4	2	177075-09010	SPACER				1					
5	2	177075-09020	SOCKET				1					
6	2	177075-09030	TOOL				1					
7	2	177075-09040	TOOL				1					

Fig.25.CLUTCH HOUSING



1 inc. (1) ~ 8

Y00R5470 25.CLUTCH HOUSING

(A)=KBW10-E
(B)=KBW10-D
(C)=KBW20

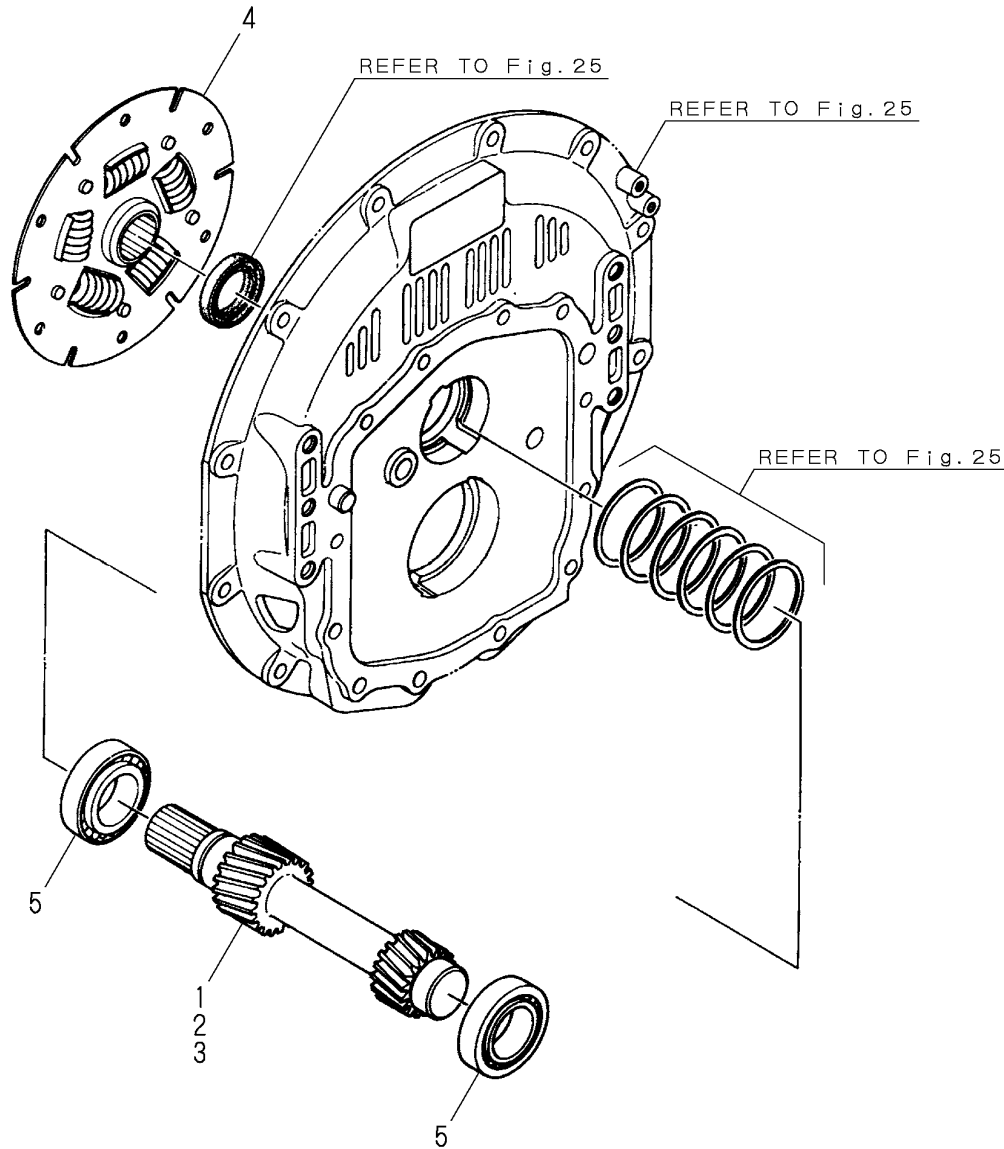
(D)=KBW20-1
(E)=KBW21
(F)=

REF.	LEV.	PARTS NO.	DESCRIPTION	QTY						I	R	
				(A)	(B)	(C)	(D)	(E)	(F)			
1	1	777075-02550	HOUSING ASSY, CLUTCH							1		
3	2	177035-02920	PLUG M16X1.5,MAGNET.							1		
4	2	23414-160021	GASKET 16							1		
5	2	177099-02130	STRAIGHT PIN							2		
6	2	26216-080222	STUD M 8X 22 PLATED							3		
7	2	26366-080002	NUT M 8							3		
8	2	22287-080000	LOCKING WASHER							3		
9	1	177075-02050	FRANGE							1		
10	1	26106-100302	BOLT M10X 30 PLATED							12		
I	10-1	1	26016-100302	BOLT M10X 30						12		N
						(E=*1997.12)				12		Z
I	11	1	22287-100000	WASHER 10			(E=*1997.12)			12		Z
12	1	177099-02091	GASKET							1		
13	1	26106-080252	BOLT M 8X 25 PLATED							3		
I	13-1	1	26016-080252	BOLT M 8X 25				(E=*1997.12)		3		N
I	14	1	22287-080000	LOCKING WASHER				(E=*1997.12)		3		Z
15	1	177095-02960	SEAL SB35 47 7, OIL							1		
16	1	177090-02970	SEAL TC54 70 9, OIL							1		
17	1	177095-02980	SEAL, OIL							1		
18	1	177075-02150	SHIM SET							1		
19	1	177075-02250	SHIM							1		
20	1	177099-02450	DIPSTICK W/BREATHER							1		
21	2	177099-02470	COVER							1		
23	1	23414-160021	GASKET 16							1		
24	1	777075-04800	COOLER ASSY.							1		
26	2	177075-04050	JOINT, PIPE							2		
27	2	128695-44090	COCK PT1/8							1		
28	2	23884-160002	PLUG 16							1		
29	2	23414-160021	GASKET 16							1		
I	30	1	177075-02550	LABEL				(E=*1994.05)		1		W
I	30-1	1	177075-02551	LABEL,OIL				(E=*1995.07)		1		N
I	31	1	177088-02430	LABEL				(E=*1994.05)		1		W

Fig.26.INPUT SHAFT

(A)=KBW10-E
(B)=KBW10-D
(C)=KBW20

(D)=KBW20-1
(E)=KBW21
(F)=



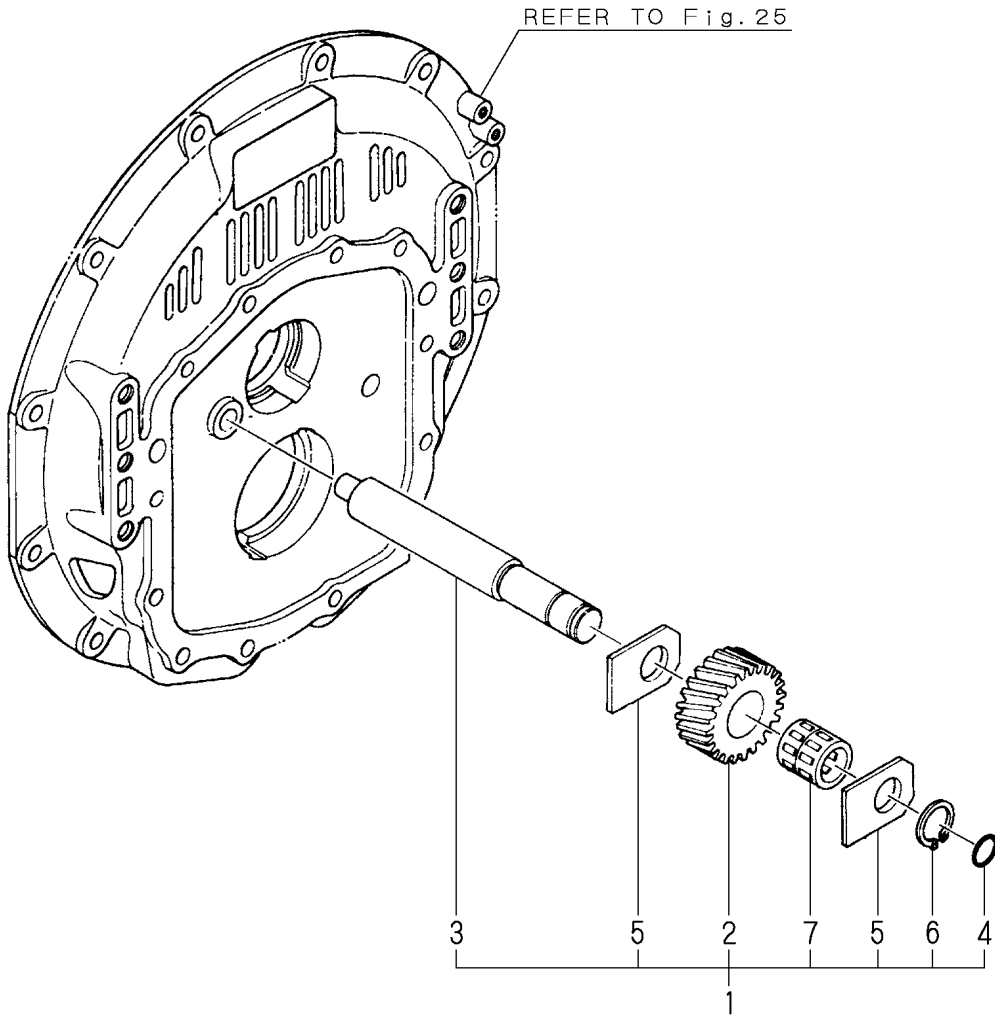
REF.	LEV.	PARTS NO.	DESCRIPTION	QTY						I	R
				(A)	(B)	(C)	(D)	(E)	(F)		
1	1	177075-03621	INPUT SHAFT I2.17						1		1
2	1	177075-03031	INPUT SHAFT I2.62						1		2
3	1	177075-03421	SHAFT, INPUT I3.28						1		3
4	1	177090-03500	DISC, DAMPER						1		
5	1	24141-320070	ROLLER BEARING						2		

Remarks
 (1)I=2.17
 (2)I=2.62
 (3)I=3.28

Fig.27.SUPPORT SHAFT

(A)=KBW10-E
(B)=KBW10-D
(C)=KBW20

(D)=KBW20-1
(E)=KBW21
(F)=

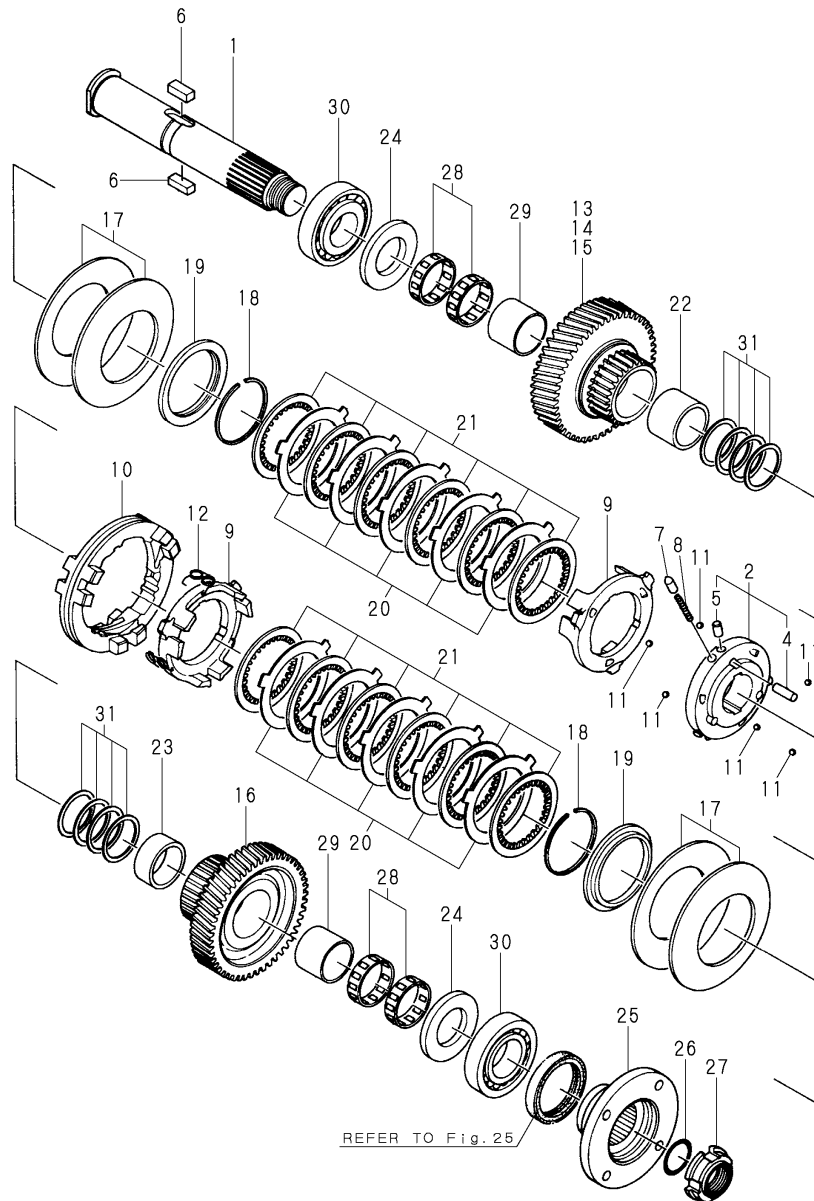


REF.	LEV.	PARTS NO.	DESCRIPTION	QTY						I	R	
				(A)	(B)	(C)	(D)	(E)	(F)			
1	1	777075-03021	SHAFT ASSY, COUNTER								1	
2	2	177075-03300	GEAR								1	
3	2	177075-03311	SHAFT								1	
4	2	24311-000180	O-RING 1A P-18.0								1	
5	2	177075-03320	WASHER								2	
6	2	22242-000220	CIRCLIP 22								1	
7	2	24161-222916	NEEDLE BEARING								2	

Fig.28.OUTPUT SHAFT

(A)=KBW10-E
(B)=KBW10-D
(C)=KBW20

(D)=KBW20-1
(E)=KBW21
(F)=



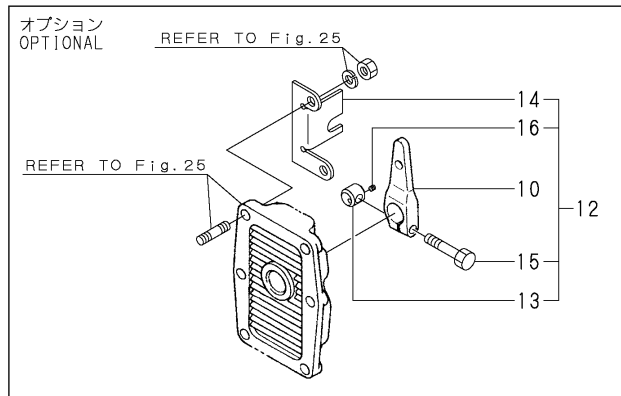
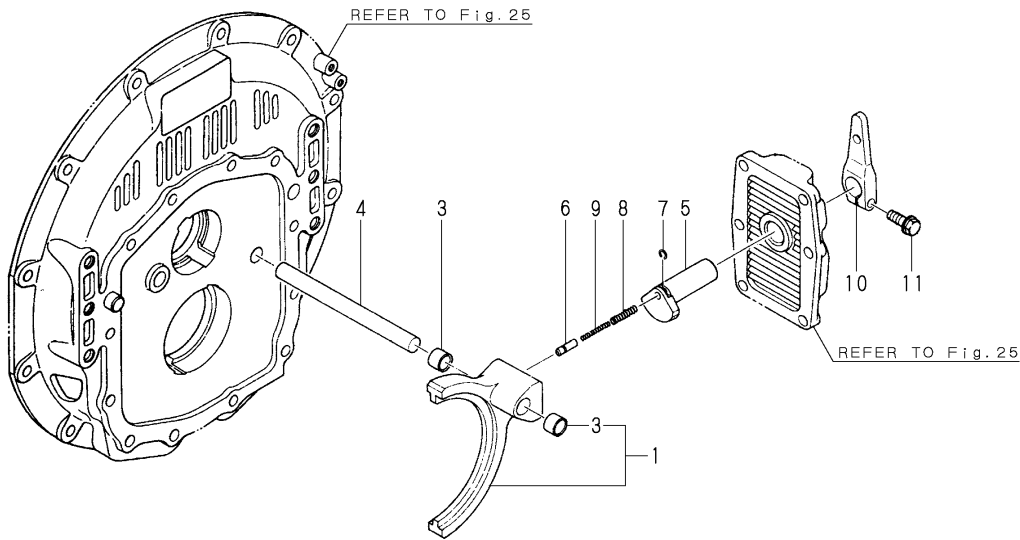
REF.	LEV.	PARTS NO.	DESCRIPTION	QTY						I	R
				(A)	(B)	(C)	(D)	(E)	(F)		
1	1	177075-03020	SHAFT, THRUST							1	
2	1	177075-03040	PLATE ASSY, DRIVING							1	
4	2	177095-03030	PARALLEL PIN							3	
5	2	177095-03040	PARALLEL PIN							3	
6	1	177090-03230	KEY							2	
7	1	177095-03190	PIN							3	
8	1	177095-03200	SPRING							3	
9	1	177075-03250	RETAINER							2	
10	1	177075-03220	RING							1	
11	1	24190-120001	BALL 3/8,STEEL							6	
12	1	177095-03210	SPRING, RETURN							3	
13	1	177075-03640	GEAR Z52 I2.17							1	1
14	1	177075-03090	GEAR Z55 I2.62							1	2
15	1	177075-03440	GEAR Z59 I3.28							1	3
16	1	177075-03110	GEAR							1	
17	1	177075-03960	SPRING							4	
18	1	177075-03280	CIRCLIP							2	
19	1	177075-03130	RETAINER							2	
20	1	177075-03880	DISK, FRICTION							12	
21	1	177020-03380	PLATE, STEEL							10	
22	1	177075-03160	SPACER							1	
23	1	177075-03170	SPACER							1	
24	1	177075-03270	COLLAR							2	
25	1	177075-03550	COUPLING							1	
26	1	24311-000350	O-RING 1A P-35.0							1	
27	1	177075-03540	NUT							1	
28	1	24161-455017	NEEDLE BEARING							4	
29	1	177075-03470	RACE, INNER							2	
30	1	24141-302080	ROLLER BEARING							2	
31	1	177075-03800	SHIM							2	

Remarks
 (1)l=2.17
 (2)l=2.62
 (3)l=3.28

Fig.29.CONTROL DEVICE

(A)=KBW10-E
(B)=KBW10-D
(C)=KBW20

(D)=KBW20-1
(E)=KBW21
(F)=

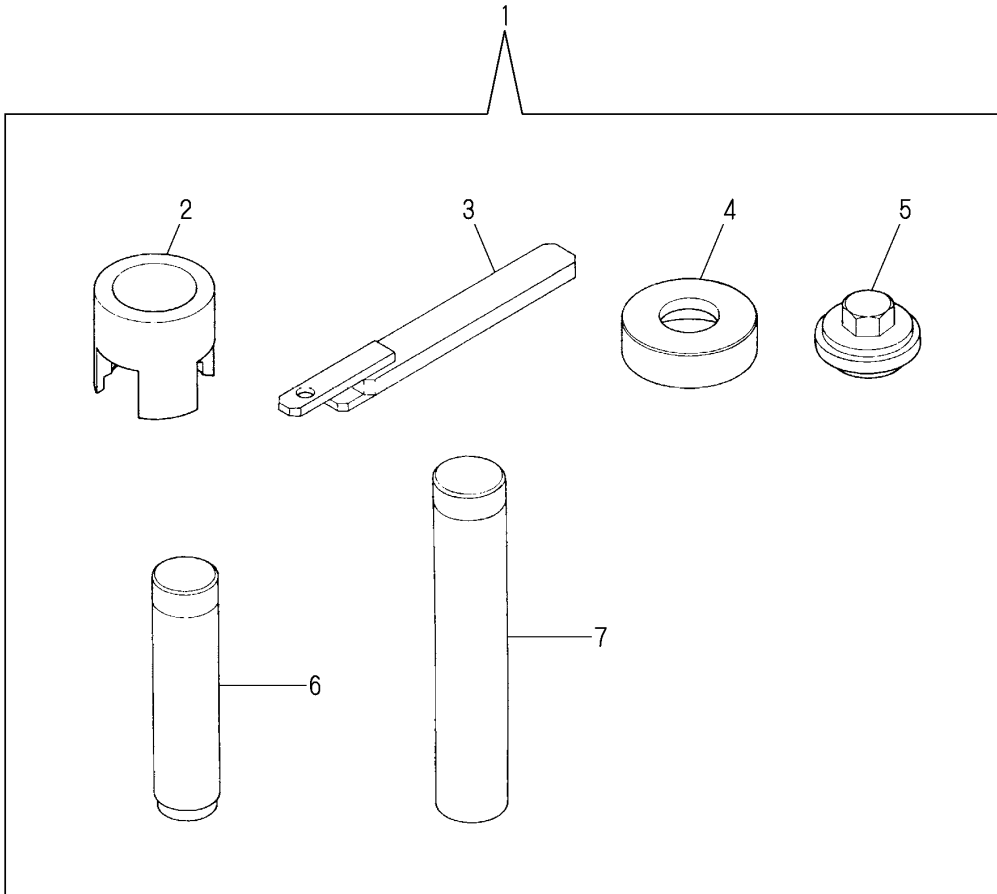


REF.	LEV.	PARTS NO.	DESCRIPTION	QTY						I	R
				(A)	(B)	(C)	(D)	(E)	(F)		
1	1	177075-06011	FORK ASSY, SHIFT							1	
3	2	177095-06070	BEARING, SHIFT FORK							2	
4	1	177075-06040	BAR, SHIFT							1	
5	1	177095-06030	CAM, SHIFT							1	
6	1	177095-06050	PIN							1	
7	1	177095-06140	CIRCLIP							1	
8	1	177095-03200	SPRING							1	
9	1	177095-06060	SPRING							1	
10	1	177075-06050	LEVER							1	
11	1	26106-080252	BOLT M 8X 25 PLATED							1	
I 12	1	177075-06340	STAY ASSY, SWITCH							1	W
				(E=*1994.08)							
I 13	2	177074-06300	SETTING,SAFETY SWIT.							1	W
				(E=*1994.08)							
I 14	2	177075-06350	STAY, SAFETY SWITCH							1	W
				(E=*1994.08)							
I 15	2	26116-080404	BOLT M 8X 40 PLATED							1	W
				(E=*1994.08)							
I 16	2	26979-040082	SCREW M 4X 8							1	W
				(E=*1994.08)							

Fig.30.TOOL

(A)=KBW10-E
(B)=KBW10-D
(C)=KBW20

(D)=KBW20-1
(E)=KBW21
(F)=



REF.	LEV.	PARTS NO.	DESCRIPTION	Q'TY						I	R		
				(A)	(B)	(C)	(D)	(E)	(F)				
1	1	777075-09500	TOOLS ASSY										
2	2	177095-09070	REPLACER										1
3	2	177075-09050	CIRCLIP										1
4	2	177075-09010	SPACER										1
5	2	177075-09020	SOCKET										1
6	2	177075-09030	TOOL										1
7	2	177075-09040	TOOL										1